

MADISON PERGOLA

Installation and Operating Instructions – YM11783X



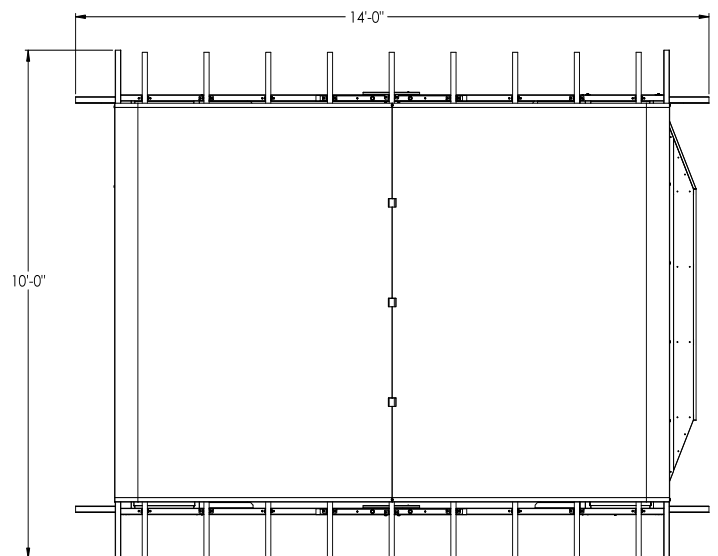
IMPORTANT, RETAIN FOR FUTURE REFERENCE: READ CAREFULLY

HEIGHT:
8'2" or 2.44m

Revised 10-16-2018

**YARDISTRY**[®]

Yardistry – North America
Toll Free Customer Support: 1.888.509.4382
info@yardistrystructures.com
www.yardistrystructures.com



Height: 8' 2" (2.44 m)

Important Safety Notice!

Yardistry components are intended for privacy, decorative and ornamental use only.

Product is NOT INTENDED for the following:

- A safety barrier to prevent unsupervised access to pools, hot tubs, spas or ponds.
- As load bearing support for a building, structure, heavy objects or swings.
- Used in structures that trap wind, rain or snow that would create extra load on the product.

Accumulated snow must be removed from roof.

DO NOT climb or walk on roof for any reason.

Permanent structures may require a building permit. As the purchaser and or installer of this product you are advised to consult local planning, zoning and building inspection departments for guidance on applicable building codes and/or zoning requirements.

Wood is NOT flame retardant and will burn. Grills, fire pits and chimineas are a fire hazard if placed too close to a Yardistry structure. Consult user's manual of the grill, fire pit or chimenea for safe distances from combustible materials.

Wear gloves to avoid injury from possible sharp edges of individual elements before assembly.

During installation, follow all safety warnings provided with your tools and use OSHA approved safety glasses. Some structures may require two or more people to install safely.

Check for underground utilities before digging or driving stakes into the ground!

It is important during assembly to closely follow the instructions, complete the assembly on a solid level surface and that you follow the instruction to square up, level and anchor the structure, this will reduce the gap at wood connections during assembly.

General Information

General Information: Wood components are manufactured with Cedar (C. Lanceolata) which is protected with factory applied water-based stain. Knots, small checks (cracks) and weathering are naturally occurring and do not affect the strength of the product. Annual application of a water-based water repellent sealant or stain is important and will help reduce weathering and checks.

www.yardistrystructures.com

Questions?

Call toll free or write us at:

1 (888) 509-4382

info@yardistrystructures.com

Patents Pending

Limited Warranty

Yardistry warrants that this product is free from defect in materials and workmanship for a period of one (1) year from the original date of purchase. In addition, for any product with lumber, all lumber is warranted for five (5) years against rot and decay. This warranty applies to the original owner and registrant and is non-transferable.

Regular maintenance is required to assure the integrity of your product and is a requirement of the warranty. This warranty does not cover any inspection costs.

This Limited Warranty does not cover:

- Labour for replacement of any defective item(s);
- Incidental or consequential damages;
- Cosmetic defects which do not affect performance or integrity;
- Vandalism; improper use or installation; acts of nature, including but not limited to wind, storms, hail, floods, excessive water exposure;
- Minor twisting, warping, checking or any other natural occurring properties of wood that do not affect performance or integrity.

Yardistry products have been designed for safety and quality. Any modifications made to the original product could damage the structural integrity of the product leading to failure and possible injury. Yardistry cannot assume any responsibility for modified products. Furthermore, modification voids any and all warranties.

This product is warranted for RESIDENTIAL USE ONLY. Yardistry disclaims all other representations and warranties of any kind, express or implied.

This Warranty gives you specific legal rights. You may have other rights as well which vary from state to state or province to province. This warranty excludes all consequential damages, however, some states/provinces do not allow the limitation or exclusion of consequential damages, and therefore this limitation may not apply to you.

Instructions for Proper Maintenance

Your Yardistry structure is designed and constructed of quality materials. As with all outdoor products it will weather and wear. To maximize the enjoyment, safety and life of your structure it is important that you, the owner, properly maintain it.

HARDWARE:

- Check metal parts for rust. If found, sand and repaint using a non-lead paint complying with 16 CFR 1303.
- Inspect and tighten all hardware after completion of assembly; after first month of use; and then annually. Do not over-tighten as to cause crushing and splintering of wood.
- Check for sharp edges or protruding screw threads, add washers if required.

WOOD PARTS:

- Applying a water repellent or stain (water-based) on a yearly basis is important maintenance to maintain maximum life and performance of the product.
- Check all wood members for deterioration, structural damage and splintering. Sand down splinters and replace deteriorated wood members. As with all wood, some checking and small cracks in grain is normal
- Some gapping may occur at some wood connections.

CANOPY:

- Canopy must be removed when not in use and prior to heavy winds and snow.
- To prevent potential collapse of support structure, DO NOT allow water, snow or debris to collect on to of canopy.

Assembly Guides

Tools Required:

- | | | |
|------------------------------|----------------------|--------------------|
| • Tape Measure | • 6' Step Ladder x 2 | • Square |
| • Standard or Cordless Drill | • Safety Glasses | • Carpenters Level |
| • 7/16", 1/2" Wrench | • Adult Helper | • Ratchet |
| • 7/16", 1/2" Socket | • Safety Gloves | • Hard Hat |
| • #2 Phillips Driver | | |

Symbols:

Throughout these instructions symbols are provided in the top, right-hand corner of the page.



- Use Help, where this is shown, 2, 3 or 4 people are required to safely complete this step. To avoid injury or damage to the assembly make sure to get some help.



- Use a measuring tape to assure proper location



- Pre-drill a pilot hole before fastening screw or lag to prevent splitting of wood.



- Check that assembly is square before tightening bolts

If you dispose of your Yardistry structure: Please disassemble and dispose of your unit so that it does not create any unreasonable hazards at the time it is discarded. Be sure to follow your local waste ordinances.

Permanent Installation Examples

Note: It is critically important you start with square, solid and level footings, concrete pad or deck to attach your structure.

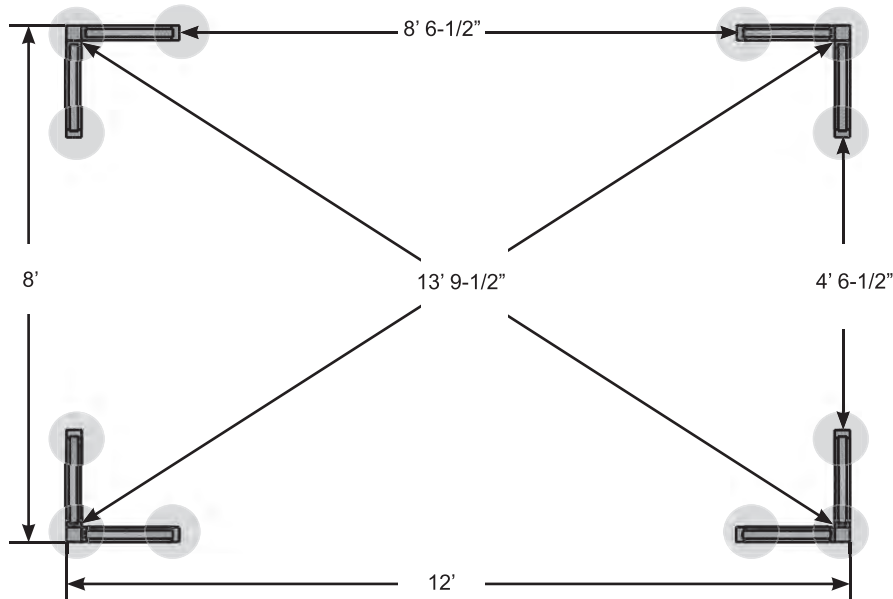
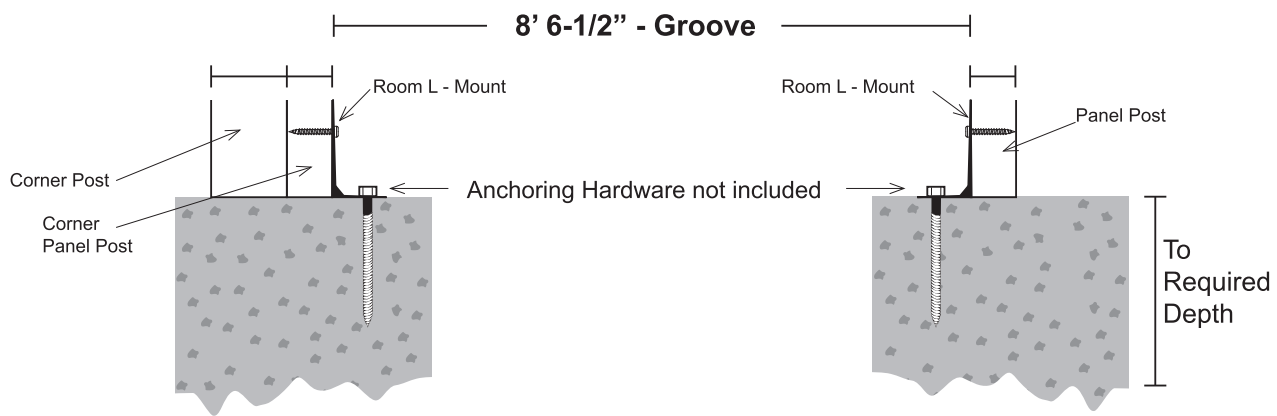
We supply Post Mounts with this structure which gives you the flexibility to permanently install your structure to a pre-existing or new wood or concrete surface.

- The hardware to attach the Post Mount to the structure is included.
- The hardware to mount the structure permanently will need to be purchased separately at your local hardware store.

If you are mounting to concrete footers see below for the correct locations and placement. Please double check for possibility of any underground utilities such as gas, telephone, cable or sprinkler lines.

Following are some examples of how to mount the structure to wood or concrete surfaces.

Refer to your local building and city codes, ordinances, neighbourhood covenants, or height restrictions regarding this type of structure for guidance on acceptable installation requirements.

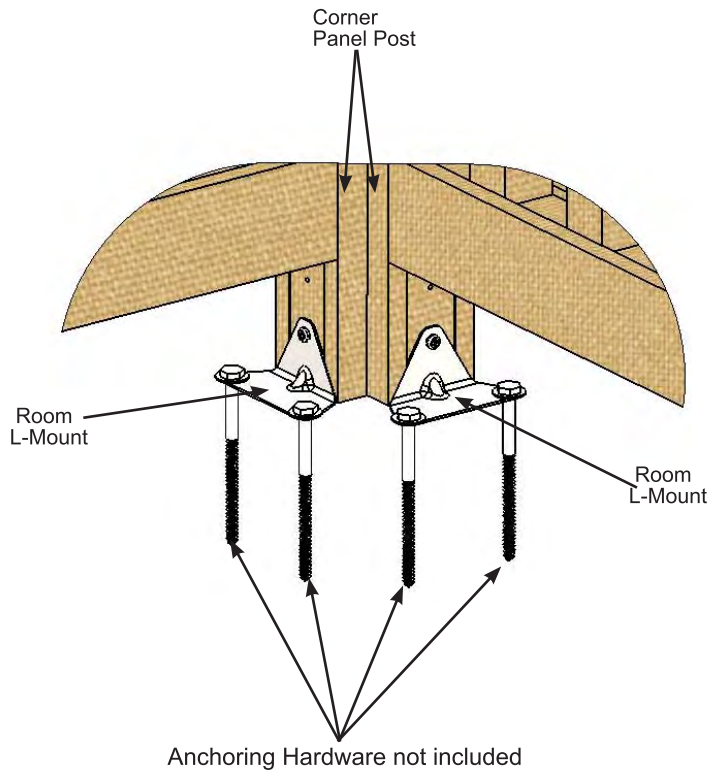
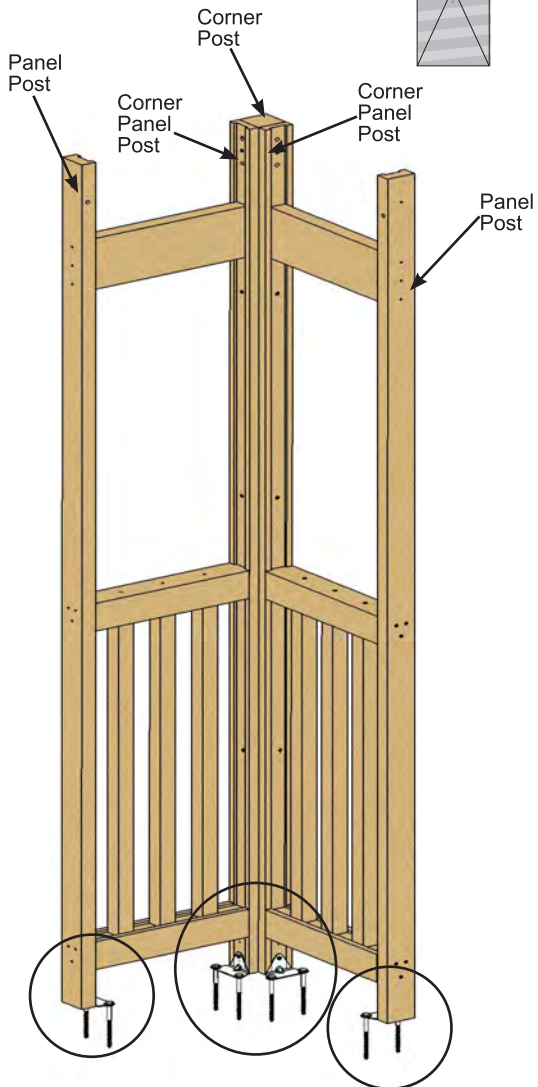
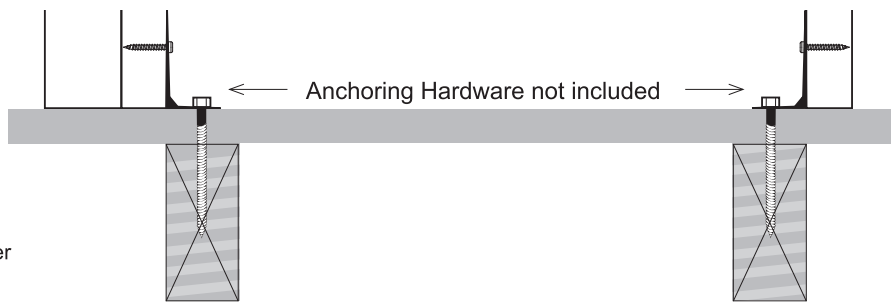


Permanent Installation Examples cont.

Concrete Patio (min. 13' x 9') with 6" clearance on all sides

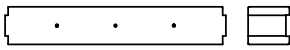


Wood Deck (min. 13' x 9') with 6" clearance on all sides



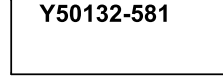
Part Identification (Dimensions are approximate and are shown to assist in the identification of parts for assembly. Actual dimensions may be smaller or larger.)

16 - (579) - 76.2 x 69.9 x 408.9mm (3 x 2³/₄ x 16-3/32") - Rail T/B



Y50132-579

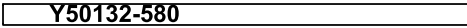
8 - (581) - 38.1 x 139.7 x 409.6mm (1¹/₂ x 5¹/₂ x 16-1/8")



Y50132-581

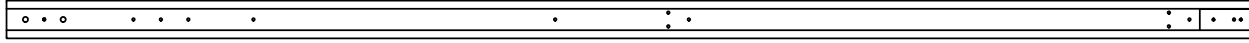
Top Horizontal

24 - (580) - 38.1 x 38.1 x 863.6mm (1¹/₂ x 1¹/₂ x 34") - Balluster

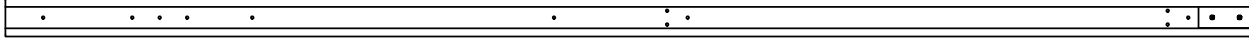


Y50132-580

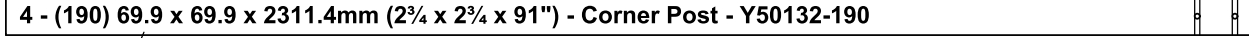
8 - (527) - 24 x 69.9 x 2311.4mm (15/16 x 2³/₄ x 91") - Corner Panel Post - Y70132-527



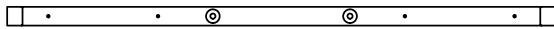
8 - (528) - 36 x 69.9 x 2311.4mm (1-27/64 x 2³/₄ x 91") - Panel Post - Y70132-528



4 - (190) 69.9 x 69.9 x 2311.4mm (2³/₄ x 2³/₄ x 91") - Corner Post - Y50132-190

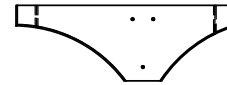


8 - (026) 34.9 x 34.9 x 1016mm (1-3/8 x 1-3/8 x 40") - Splice - Y50132-026

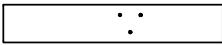


2 - (516) 31.8 x 139.7 x 406.5mm (1¹/₄ x 5¹/₂ x 16")

Bar Gusset - Y50132-516



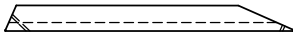
2 - (512) 31.8 x 69.9 x 406.5mm (1¹/₄ x 2³/₄ x 16")



Side Joist - Y50132-512

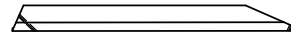
1 - (582) - 47.6 x 85.7 x 533mm (1-7/8 x 3-3/8 x 20-63/64")

Bar Left - Y50132-582



1 - (583) - 47.6 x 85.7 x 533mm (1-7/8 x 3-3/8 x 20-63/64")

Bar Right - Y50132-583



2 - (509) 31.8 x 60.3 x 136.5mm (1-1/4 x 2-3/8 x 5-3/8")



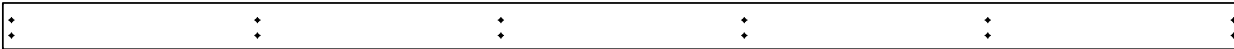
End Joist Y50132-509

2 - (508) 31.8 x 69.9 x 406.5mm (1¹/₄ x 2³/₄ x 16")

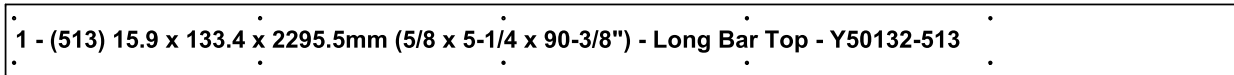


Joist Y50132-508

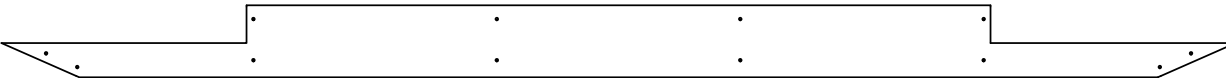
1 - (510) 15.9 x 85.7 x 2295.5mm (5/8 x 3-3/8 x 90-3/8") - Bar Back - Y50132-510



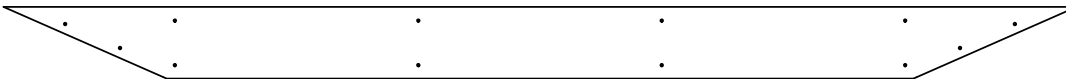
1 - (513) 15.9 x 133.4 x 2295.5mm (5/8 x 5-1/4 x 90-3/8") - Long Bar Top - Y50132-513



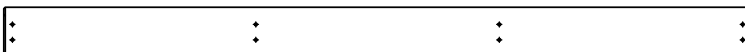
1 - (514) 15.9 x 133.4 x 2286mm (5/8 x 5-1/4 x 90") - Mid Bar Top - Y50132-514



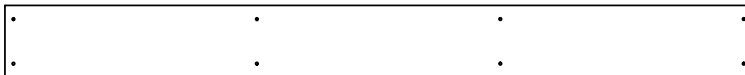
1 - (515) 15.9 x 133.4 x 1987.6mm (5/8 x 5-1/4 x 78-1/4") - Short Bar Top - Y50132-515



3 - (501) 15.9 x 85.7 x 1384.3mm (5/8 x 3-3/8 x 54-1/2") - Front Back Shelf - Y50132-501



2 - (503) 15.9 x 133.4 x 1384.3mm (5/8 x 5-1/4 x 54-1/2") - Shelf Top - Y50132-503



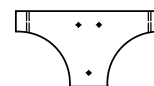
2 - (502) 31.8 x 69.9 x 269.8mm (1¹/₄ x 2³/₄ x 10-5/8")



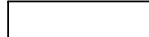
Shelf Side Joist - Y50132-502

2 - (498) 31.8 x 139.7 x 269.9mm (1¹/₄ x 5¹/₂ x 10-5/8")

Shelf Gusset - Y50132-498



2 - (500) 31.8 x 69.9 x 269.8mm (1¹/₄ x 2³/₄ x 10-5/8")



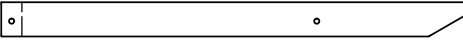
Shelf Joist - Y50132-500

Part Identification (Dimensions are approximate and are shown to assist in the identification of parts for assembly. Actual dimensions may be smaller or larger.)

1 - (499) 15.9 x 133.4 x 381mm (5/8 x 5¼ x 15") Plaque - Y50132-499



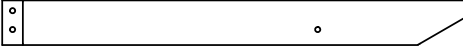
2 - (497) 34.9 x 63.5 x 857.2mm (1-3/8 x 2½ x 33¾") Short Trellis D - Y50132-497



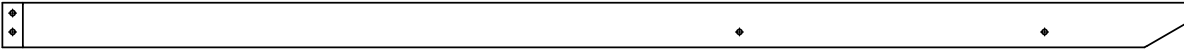
2 - (496) 34.9 x 63.5 x 2203.5mm (1-3/8 x 2½ x 86¾") Long Trellis D - Y50132-496



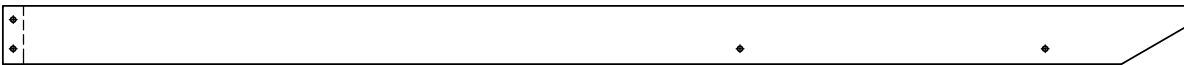
2 - (495) 34.9 x 82.6 x 857.2mm (1-3/8 x 3¼ x 33¾") Short Trellis C - Y50132-495



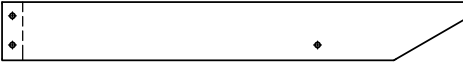
2 - (494) 34.9 x 82.6 x 2203.5mm (1-3/8 x 3¼ x 86¾") Long Trellis C - Y50132-494



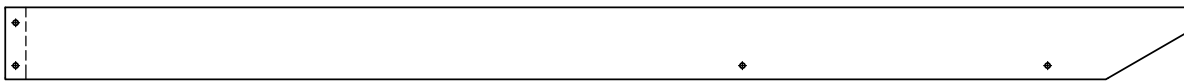
4 - (493) 34.9 x 108 x 2203.5mm (1-3/8 x 4¼ x 86¾") Long Trellis B - Y50132-493



4 - (492) 34.9 x 108 x 857.2mm (1-3/8 x 4¼ x 33¾") Short Trellis B - Y50132-492



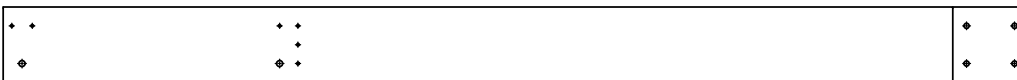
1 - (491) 34.9 x 133.4 x 2203.5mm (1-3/8 x 5¼ x 86¾") Long Trellis A - Y50132-491



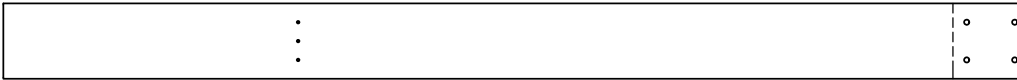
1 - (490) 34.9 x 133.4 x 857.2mm (1-3/8 x 5¼ x 33¾") Short Trellis A - Y50132-490



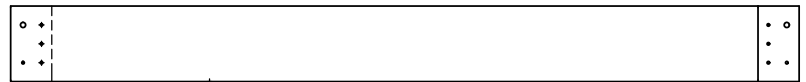
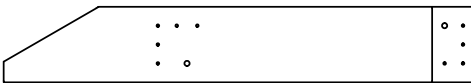
4 - (489) 38.1 x 139.7 x 1898.7mm (1½ x 5½ x 74¾") Front Beam - Y50132-489



4 - (488) 38.1 x 139.7 x 1898.7mm (1½ x 5½ x 74¾") Inner Beam - Y50132-488

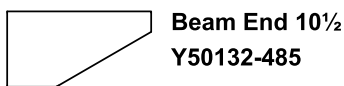


4 - (487) 38.1 x 139.7 x 870mm (1½ x 5½ x 34¼") Beam End - Y50132-487



2 - (486) 38.1 x 139.7 x 1460.5mm (1½ x 5½ x 57½") Beam 57½
Y50132-486

4 - (485) 38.1 x 139.7 x 266.7mm (1½ x 5½ x 10½")



Beam End 10½
Y50132-485

4 - (067) 38.1 x 139.7 x 527.1mm (1½ x 5½ x 20¾")



Beam 20¾
Y50219-067

6 - (484) 36 x 127 x 495.1mm (1-27/64 x 5 x 19½")



Arch Gusset Left
Y50132-484

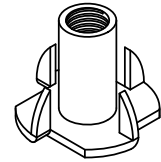
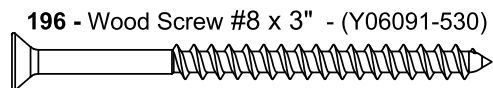
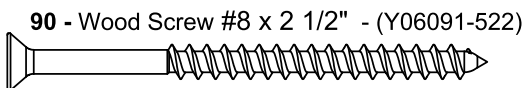
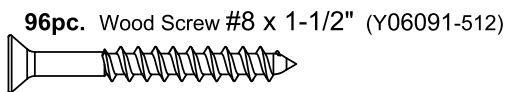
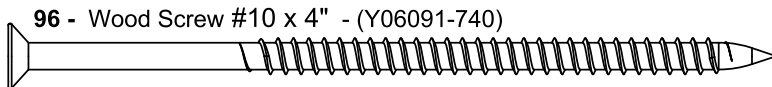
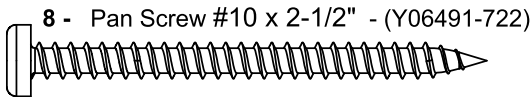
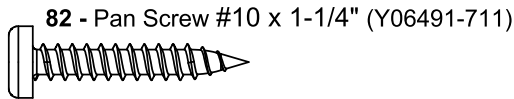
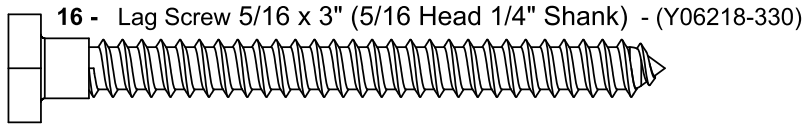
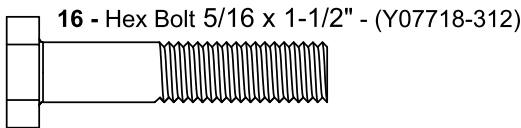
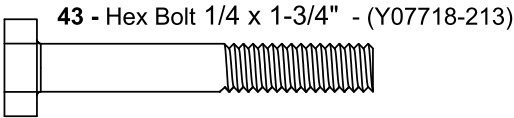
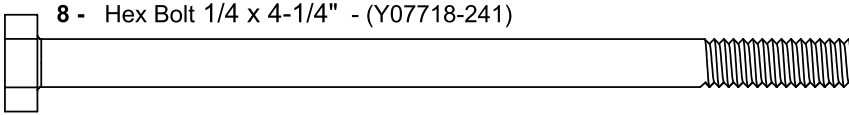
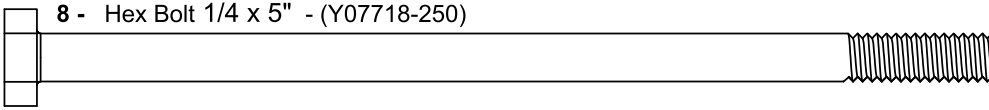
6 - (483) 36 x 127 x 495.1mm (1-27/64 x 5 x 19½")



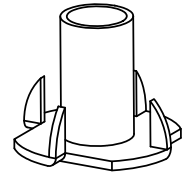
Arch Gusset Right
Y50132-483

Hardware Identification

Dimensions are approximate and are shown to assist in the identification of parts for assembly. Actual dimensions may be smaller or larger.



16 - 1/4" (Y08518-200)
T-Nut



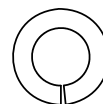
16 - 5/16" (Y08518-300)
T-Nut



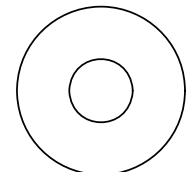
43 - 1/4" (Y08318-203)
Lock Nut



16 - 1/4" Lock Washer
(Y05318-200)



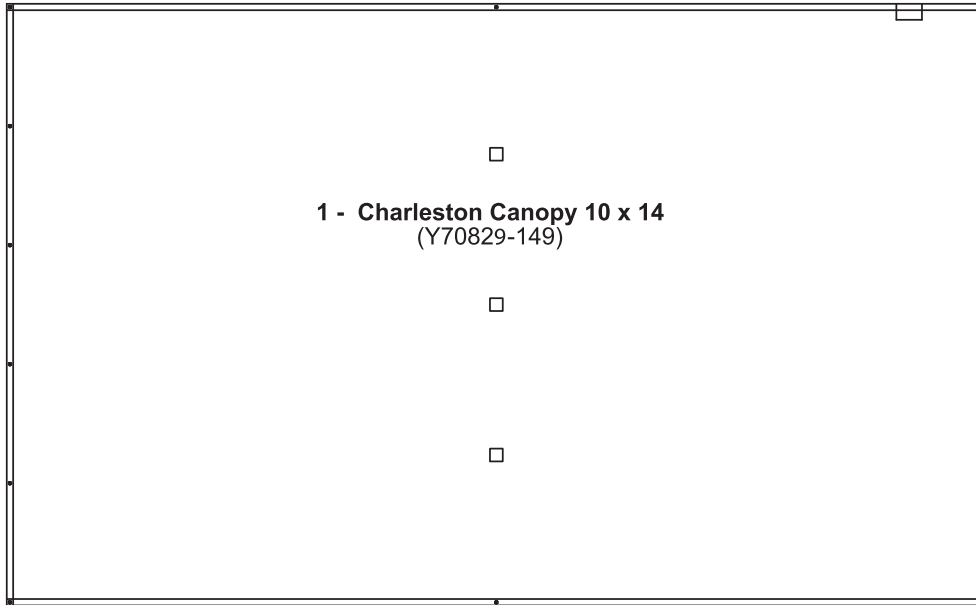
16 - 5/16" (Y05318-300)
Lock Washer



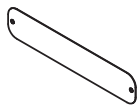
62 - 5/16" (Y05118-203)
Flat Washer

Hardware Identification

Dimensions are approximate and are shown to assist in the identification of parts for assembly. Actual dimensions may be smaller or larger.



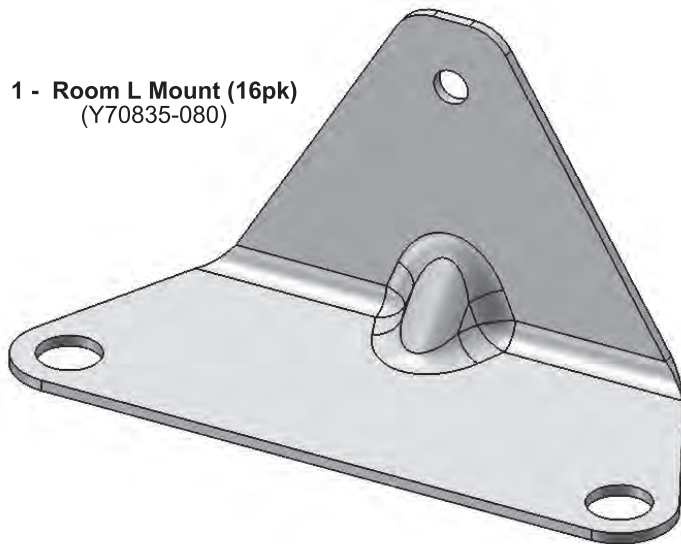
1 - 1/8" (Y00400-002)
Drill Bit



1pc. - Gazebo ID Plaque
(Y70800-104)

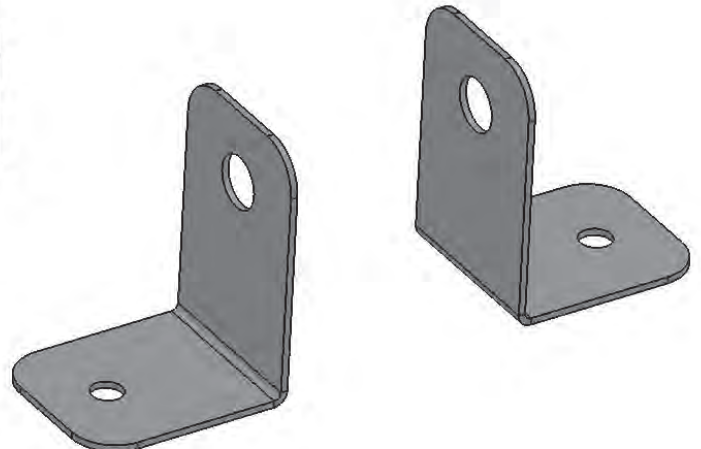


1 - #2 x 2" (Y00400-005)
Robertson Driver

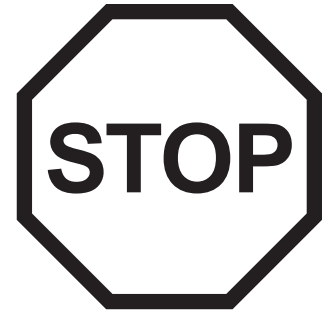
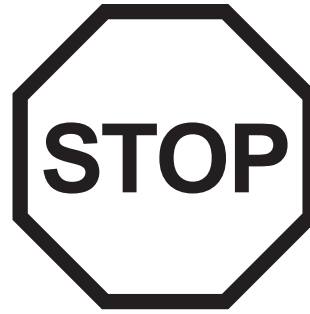
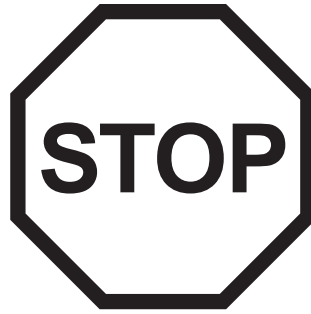


1 - Room L Mount (16pk)
(Y70835-080)

1 - Trellis Bracket (72pk)
(Y70835-152)



Step 1: Inventory Parts - Read This Before Starting Assembly



- A.** This is the time for you to inventory all your hardware, wood and accessories, referencing the parts identification sheets. This will assist you with your assembly.
- Each step indicates which bolts and/or screws you will need for assembly, as well as any flat washers, lock washers, t-nuts or lock nuts.
- B.** If there are any missing or damaged pieces or you need assistance with assembly please contact the consumer relations department directly. Call us before going back to the store.

1-888-509-4382

support@yardistrystructures.com

- C.** Read the assembly manual completely, paying special attention to ANSI warnings; notes; and safety/maintenance information on pages 1 - 4.
- Follow the instructions in order.
 - This structure is designed to be assembled and installed ideally by four people, DO NOT attempt to install alone.
 - Consider the slope of elevation where you plan to install the structure. Also, check for gas, telephone, other utilities or sprinkler line locations prior to excavating any holes.
- D.** Before you discard your cartons fill out the form below.
- The carton I.D. stamp is located on the end of each carton.
 - Please retain this information for future reference. You will need this information if you contact the Consumer Relations Department.

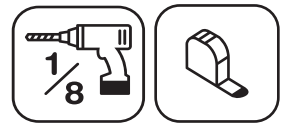
PRODUCT NUMBER: YM11783X

CARTON I.D. STAMP: __ __ __ __ __ (Box 1)

CARTON I.D. STAMP: __ __ __ __ __ (Box 2)

CARTON I.D. STAMP: __ __ __ __ __ (Box 3)

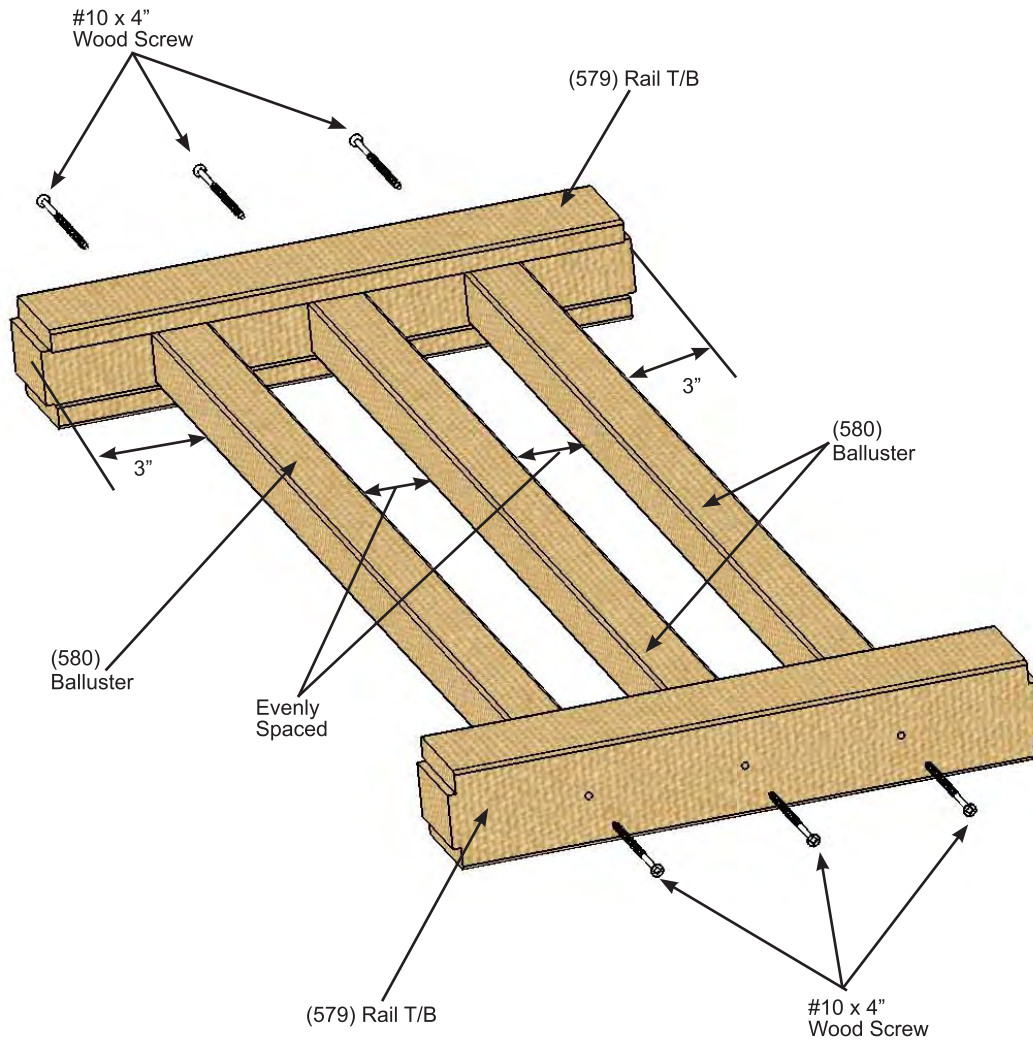
Step 2: Post Panel Assemblies Part 1



A: In between two (579) Rail T/Bs place three (580) Ballusters. The two outside (580) Ballusters should measure 3" from the edge of each (579) Rail T/B. The middle (580) Balluster should be evenly spaced between the first two. Pre-drill with a 1/8" drill bit then attach all three (580) Ballusters to both Rail T/Bs with two #10 x 4" Wood Screws per balluster. (fig. 2.1)

B: Repeat Step A seven more times to make eight Balluster Assemblies.

Fig. 2.1



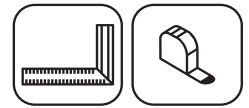
Wood Parts

16 x (579) Rail T/B
24 x (580) Balluster

Hardware

48 x #10 x 4" Wood Screw

Step 2: Post Panel Assemblies Part 2

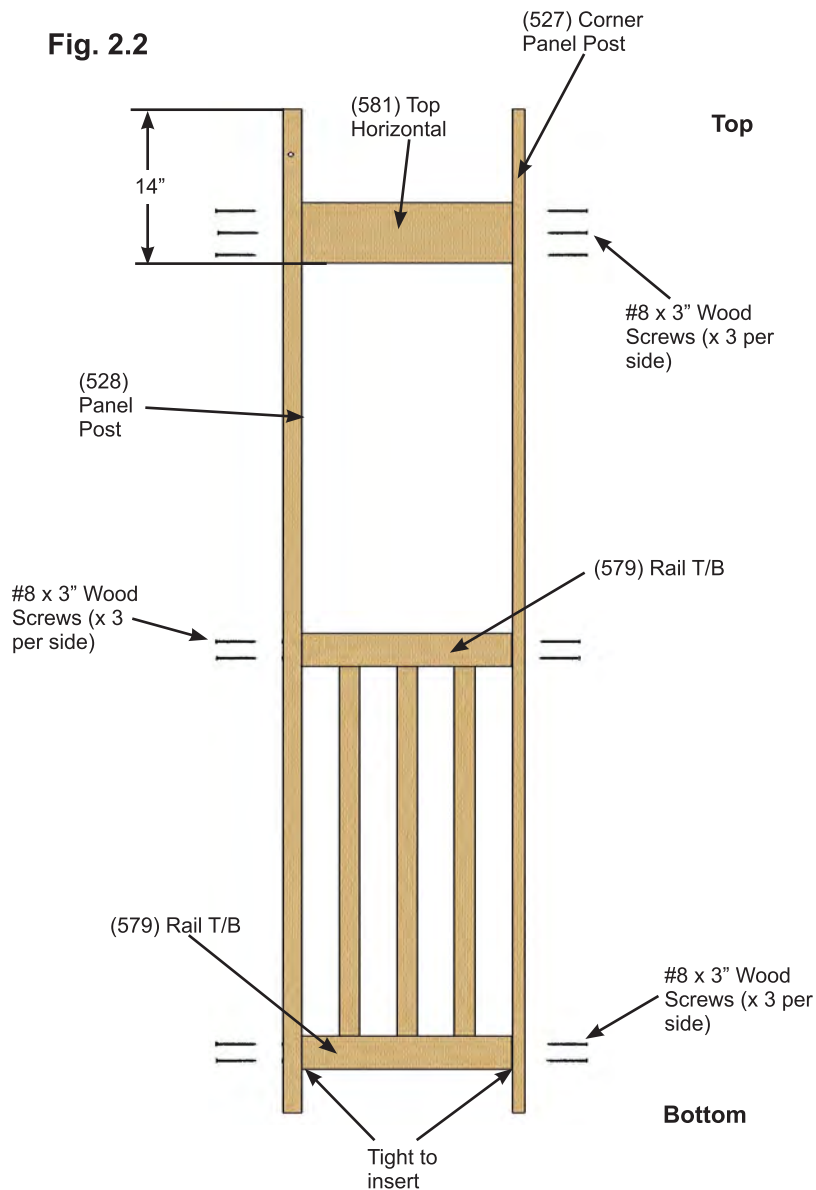


C: Place each Balluster Assembly in one (528) Panel Post and one (527) Corner Panel Post so the bottom (579) Rail T/B sits tight to the top of the insert in both posts. Make sure Balluster Assembly is square to posts then attach with six #8 x 3" Wood Screws per (579) Rail T/B. (fig. 2.2, 2.3 and 2.4)

D: From the top of each (528) Panel Post and (527) Corner Panel Post measure 14" down then place one (581) Top Horizontal with the bottom at the 14" mark. Attach (581) Top Horizontal to both posts with three #8 x 3" Wood Screws per post. (fig. 2.2 and 2.3)

E: There will be eight Post Panel Assemblies.

Fig. 2.2



**Fig. 2.3
Side View**

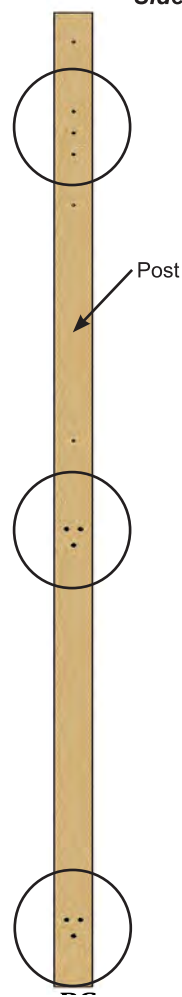
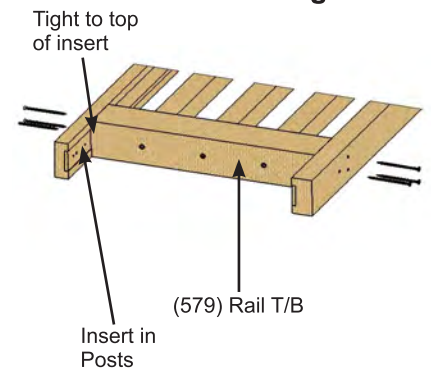


Fig. 2.4



Wood Parts

- 8 x (527) Corner Panel Post
- 8 x (528) Panel Post
- 8 x (581) Top Horizontal

Hardware

- 144 x #8 x 3" Wood Screw

Step 3: Create Corner Post Assemblies Part 1

A: On each Post Panel Assembly install one Room L Mount flush to the inside, bottom of (528) Panel Post with one #10 x 1-1/4" Pan Screw. (fig. 3.1 and 3.2)

Fig. 3.2

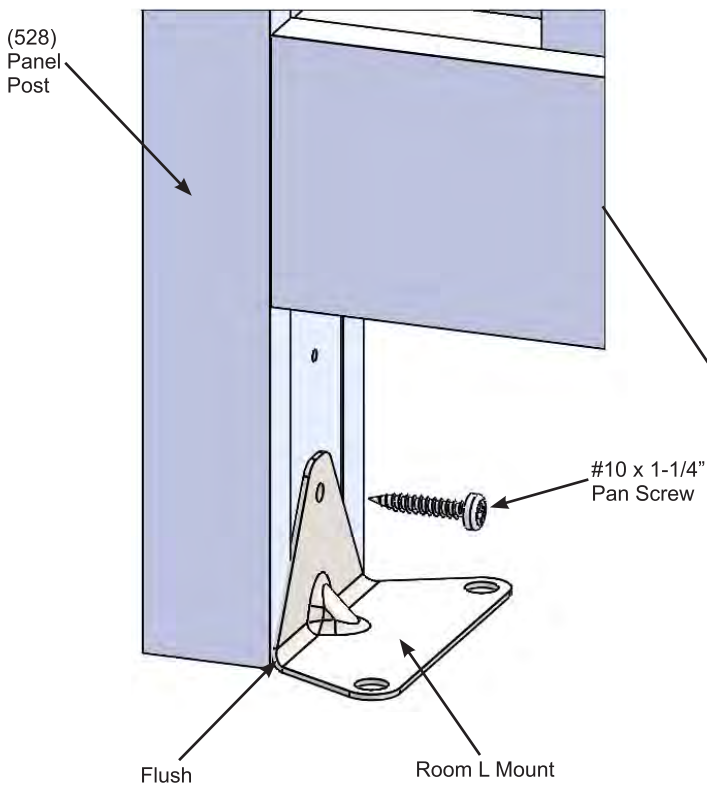
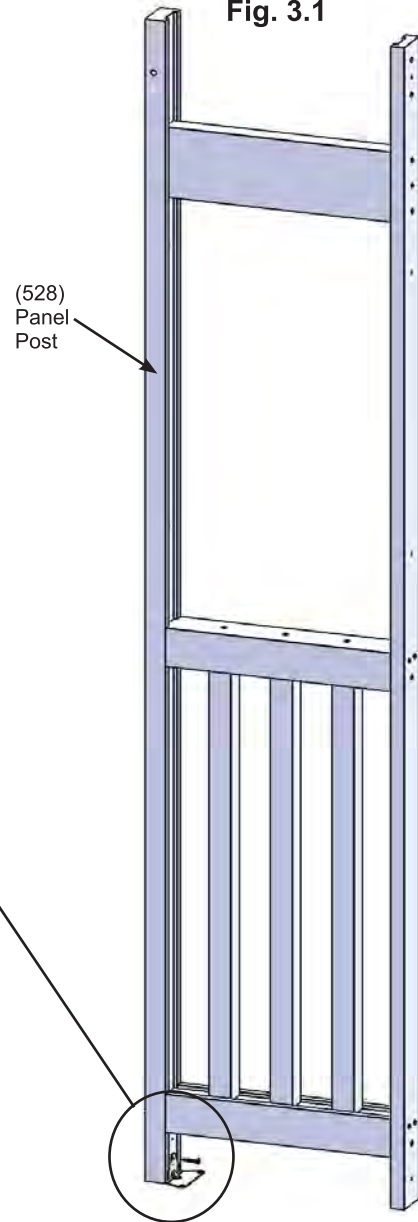


Fig. 3.1



Components

8 x Room L Mount

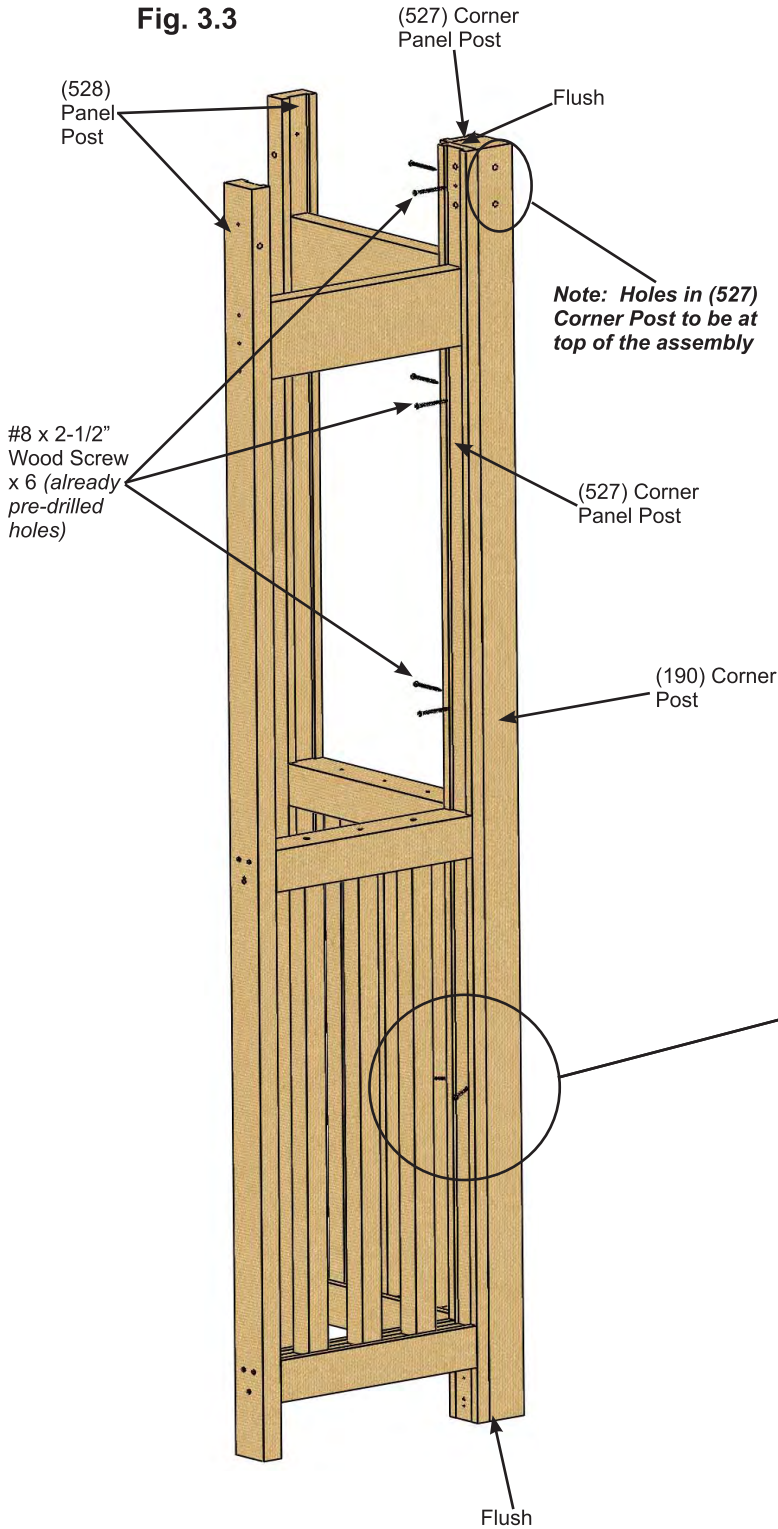
Hardware

8 x #10 x 1-1/4" Pan Screw

Step 3: Create Corner Post Assemblies Part 2



Fig. 3.3



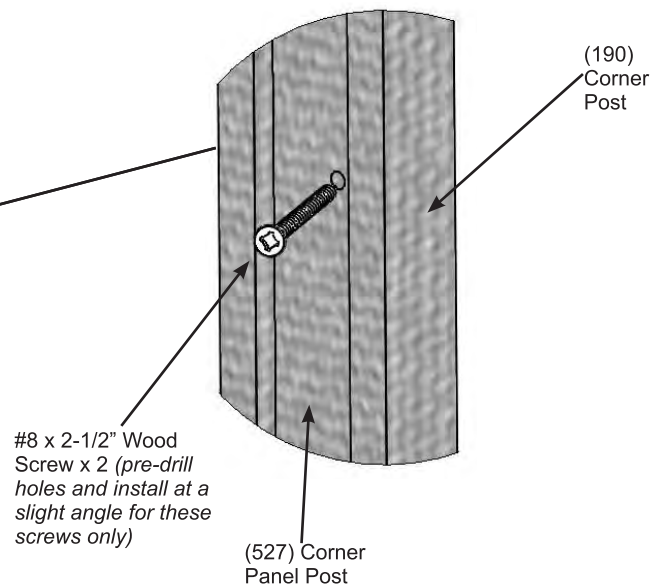
B: Place two Post Panel Assemblies against one (190) Corner Post so the (527) Corner Panel Posts are flush to the tops and bottoms of the (190) Corner Post so they create a corner piece. (fig. 3.3)

C: Attach each (527) Corner Panel Post to each (190) Corner Post with six #8 x 2-1/2" Wood Screws per Corner Post Assembly in the pre-drilled holes. (fig. 3.3)

D: In the indicated area below pre-drill two pilot holes at a slight angle using a 1/8" drill bit then attach (527) Corner Panel Posts to (190) Corner Posts with two #8 x 2-1/2" Wood Screws per Corner Post Assembly. (fig. 3.3 and 3.4)

E: Repeat Steps B - D to create four Corner Post Assemblies.

Fig. 3.4



Wood Parts

4 x (190) Corner Post

Hardware

32 x #8 x 2-1/2" Wood Screw

Step 3: Create Corner Post Assemblies Part 3

F: Place one Room L Mount flush to the inside, bottom of each (527) Corner Panel Post then attach with one #10 x 2-1/2" Pan Screw per mount. (fig. 3.5 and 3.6)

Fig. 3.5

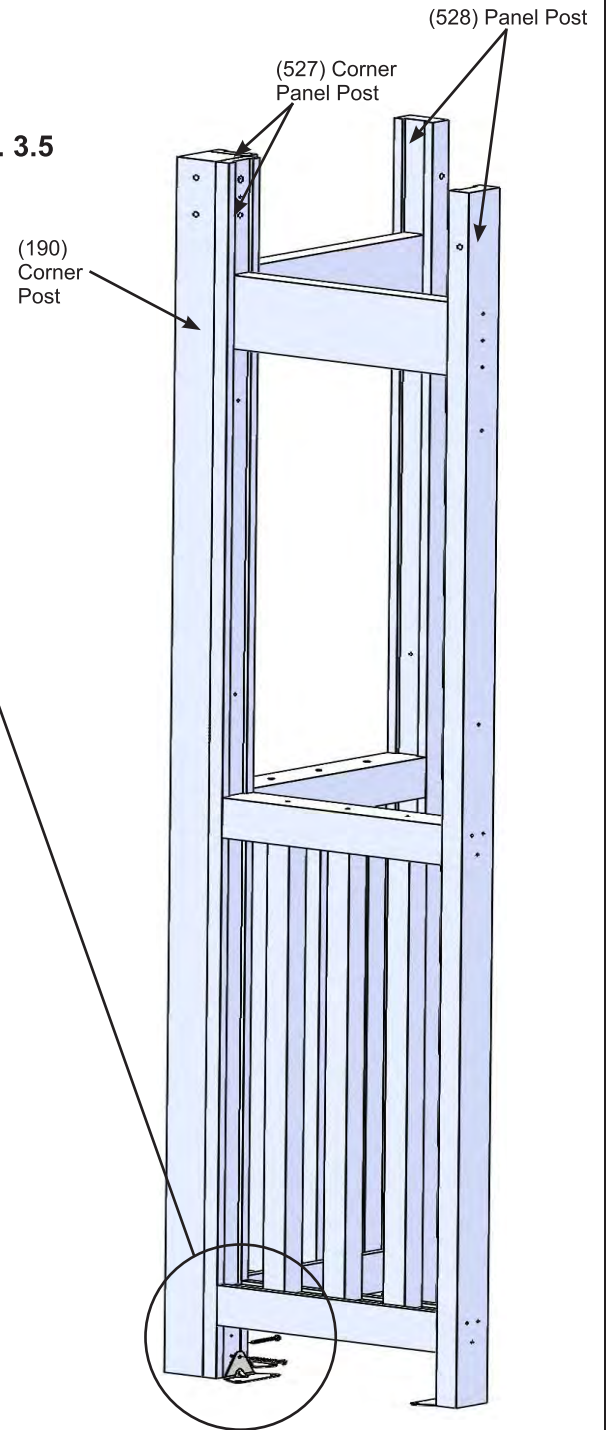
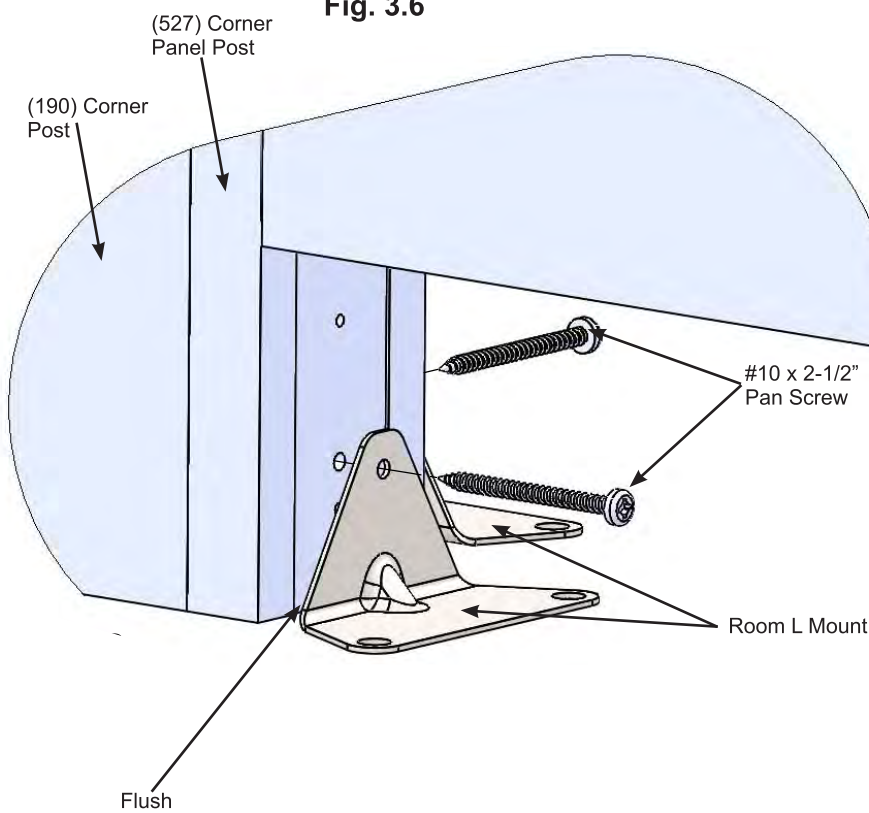


Fig. 3.6



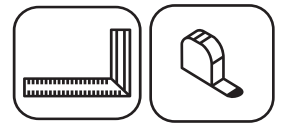
Components

8 x Room L Mount

Hardware

8 x #10 x 2-1/2" Pan Screw

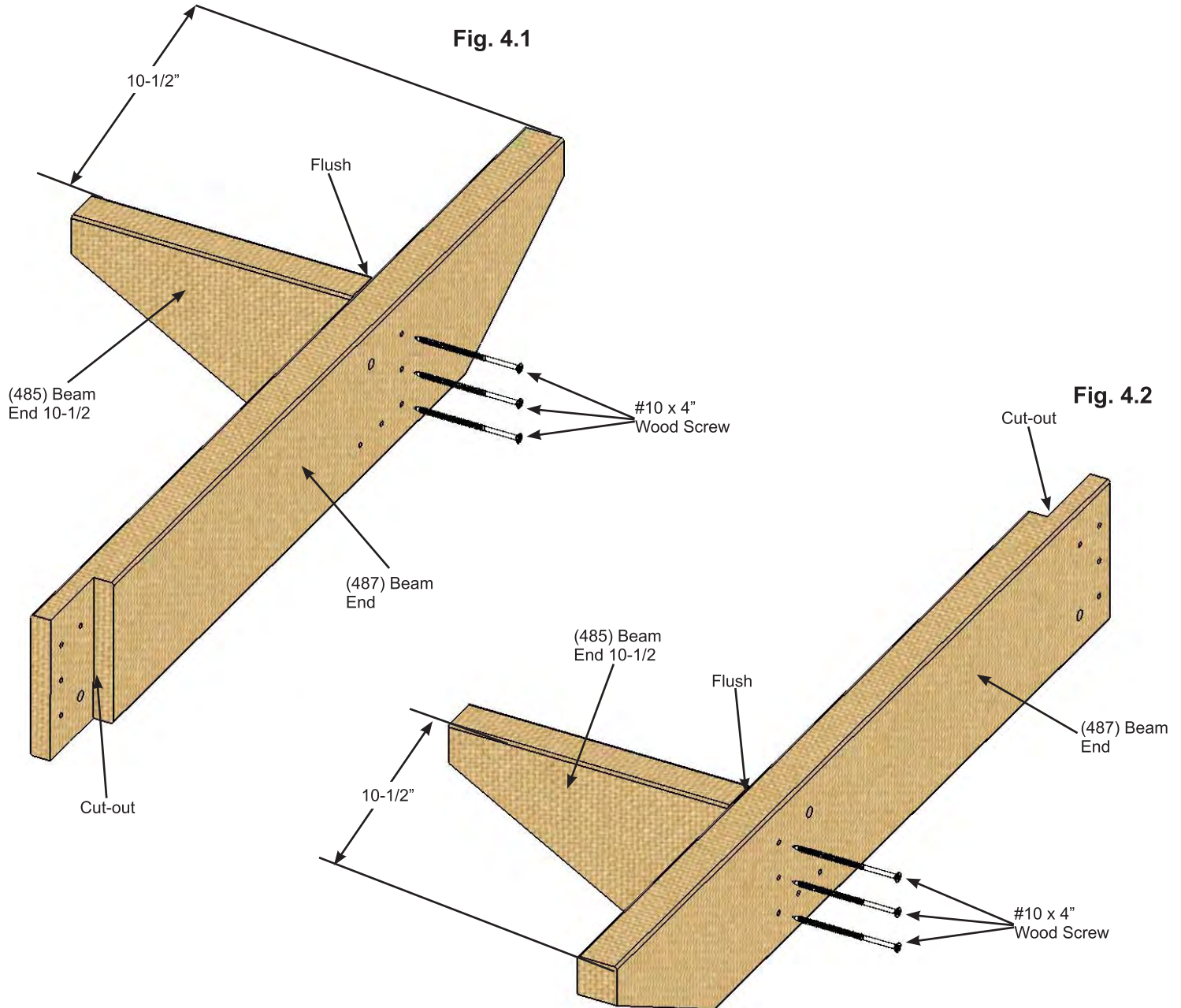
Step 4: Beam End Assembly



A: Measure 10-1/2" from tip of one (487) Beam End then place one (485) Beam End 10-1/2 at measured location on the side without the cut-out, make sure it is square then attach with three #10 x 4" Wood Screws. Repeat for a second Beam End Assembly. (fig. 4.1)

B: Measure 10-1/2" from tip of one (487) Beam End then place one (485) Beam End 10-1/2 at measured location on the side with the cut-out, make sure it is square then attach with three #10 x 4" Wood Screws. Repeat for a fourth Beam End Assembly. (fig. 4.2)

There should be two Beam End Assemblies with (485) Beam End 10-1/2 on the cut-out side and two on the side without the cut-out.



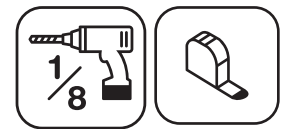
Wood Parts

- 4 x (485) Beam End 10-1/2
- 4 x (487) Beam End

Hardware

- 12 x #10 x 4" Wood Screw

Step 5: Front Beam Assembly

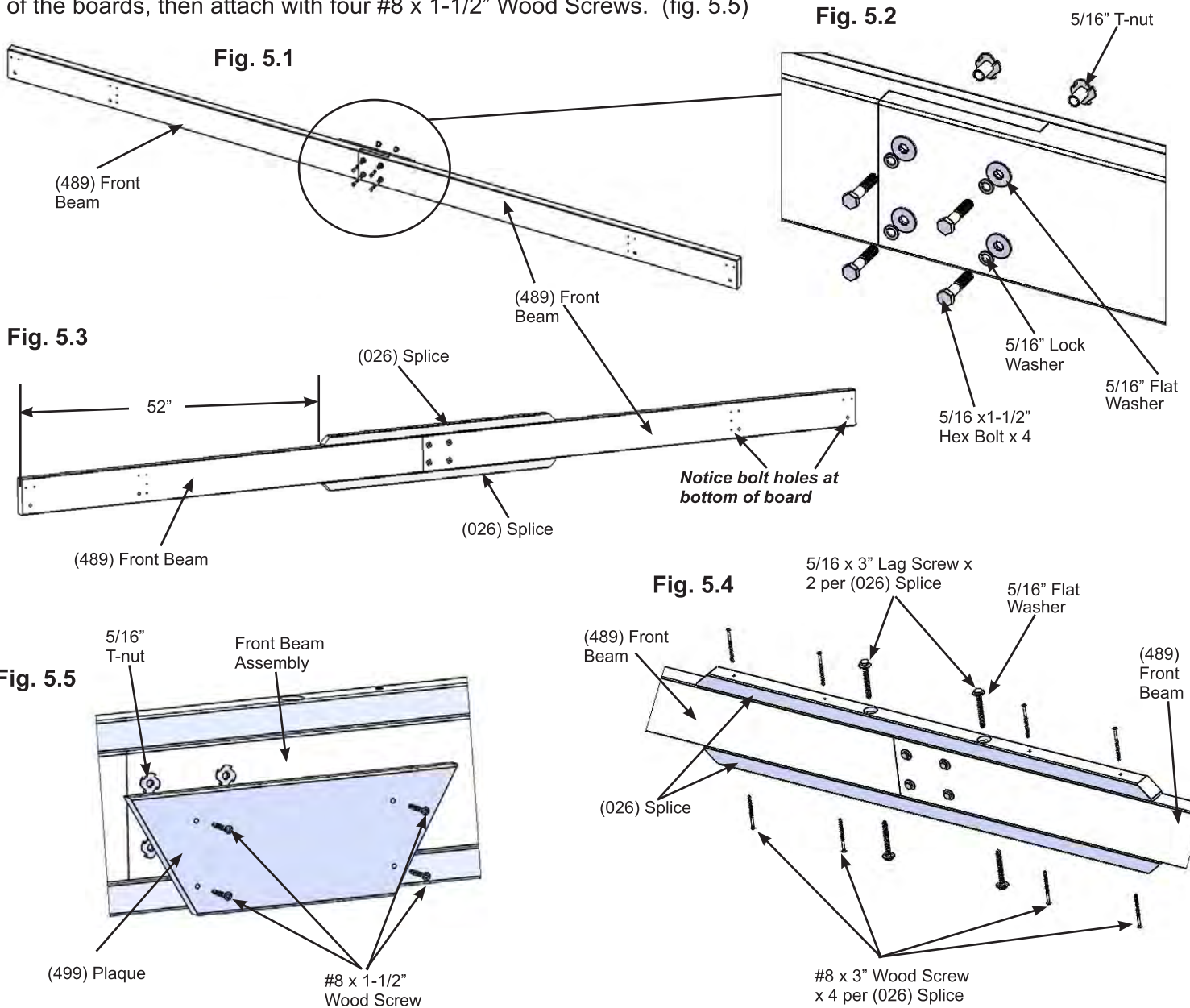


A: Interlock the cut-outs on two (489) Front Beams then attach with four 5/16 x 1-1/2" Hex Bolts (with 5/16" lock washer, 5/16" flat washer and 5/16" t-nut). (fig. 5.1 and 5.2)

B: Place one (026) Splice on top of (489) Front Beams with long side facing down, 52" from the end of one beam then using a 1/8" drill bit pre-drill a hole using the countersunk holes as a guide and attach with two 5/16 x 3" Lag Screws (with 5/16" flat washer) and four #8 x 3" Wood Screws. Turn (489) Front Beams over and repeat for other side. (fig. 5.3 and 5.4)

C: Repeat Steps A and B to create a second Front Beam Assembly. (fig. 5.1, 5.2, 5.3 and 5.4)

D: Centre (499) Plaque over 5/16" t-nuts on one Front Beam Assembly. Make sure short side facing the bottom of the boards, then attach with four #8 x 1-1/2" Wood Screws. (fig. 5.5)



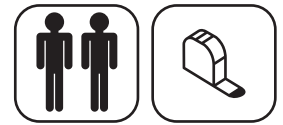
Wood Parts

- 4 x (489) Front Beam
- 4 x (026) Splice
- 1 x (499) Plaque

Hardware

- 8 x 5/16 x 3" Lag Screw (5/16" flat washer)
- 8 x 5/16 x 1-1/2" Hex Bolt (5/16" lock washer, 5/16" flat washer, 5/16" t-nut)
- 16 x #8 x 3" Wood Screws
- 4 x #8 x 1-1/2" Wood Screws

Step 6: Layout Corner Post Assemblies

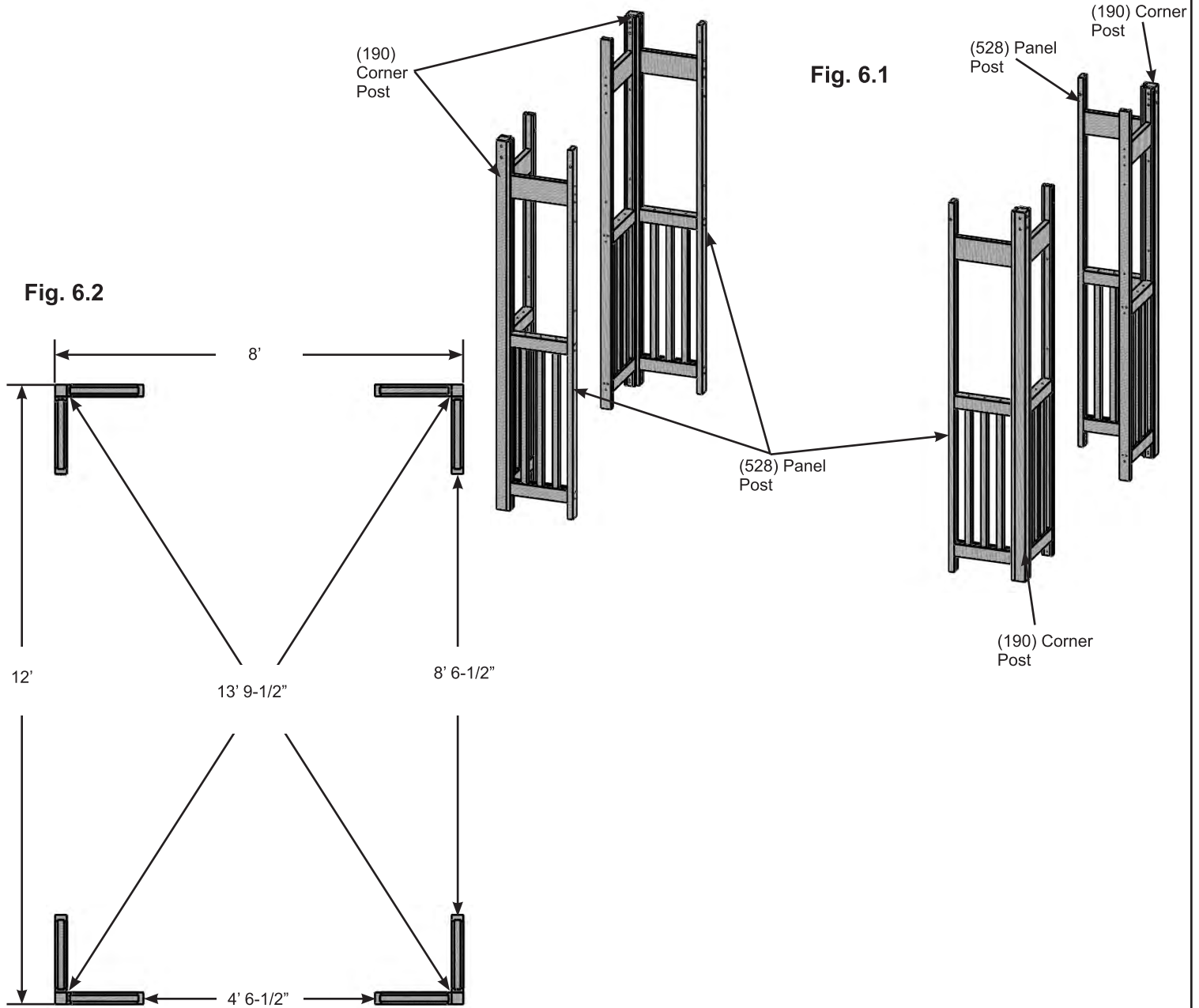


A: Move your Corner Post Assemblies to the final location. Make sure the ground is flat and level before continuing assembly.

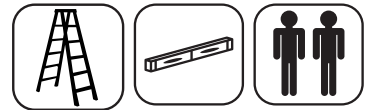
B: Place one Corner Post Assembly at each corner with the opening facing in. (fig. 6.1)

Each shorter end should measure 8' from (190) Corner Post to (190) Corner Post and 4' 6-1/2" from (528) Panel Post to (528) Panel Post. (fig. 6.2)

Each longer end should measure 12' from (190) Corner Post to (190) Corner Post and 8' 6-1/2" from (528) Panel Post to (528) Panel Post. (fig. 6.2)



Step 7: Frame Assembly Part 1



A: On one short side place one Beam End Assembly against one (190) Corner Post and (528) Panel Post and loosely attach to (190) Corner Post and (527) Corner Panel Post with one 1/4 x 5" Hex Bolt (with 1/4" lock washer, 5/16" flat washer and 1/4" t-nut). (485) Beam End 10-1/2" faces out. (fig. 7.1 and 7.2)

B: Repeat Step A for the second Corner Post Assembly on the same side. (485) Beam End 10-1/2" faces out. (fig. 7.1 and 7.2)

C: With a helper place one (486) Beam 57-1/2 in between both Beam End Assemblies interlocking the cutouts then attach Beam End Assembly and (486) Beam 57-1/2 to (528) Panel Posts with one 1/4 x 4-1/4" Hex Bolt (with 1/4" lock washer, 5/16" flat washer and 1/4" t-nut) per side. (fig. 7.1 and 7.2)

D: Make sure (486) Beam 57-1/2 and both Beam End Assemblies are level then attach to Corner Post Assemblies with six #8 x 2-1/2" Wood Screws (three per Beam End Assembly). (fig. 7.1 and 7.2)

E: Repeat Steps A - D on the opposite short side.

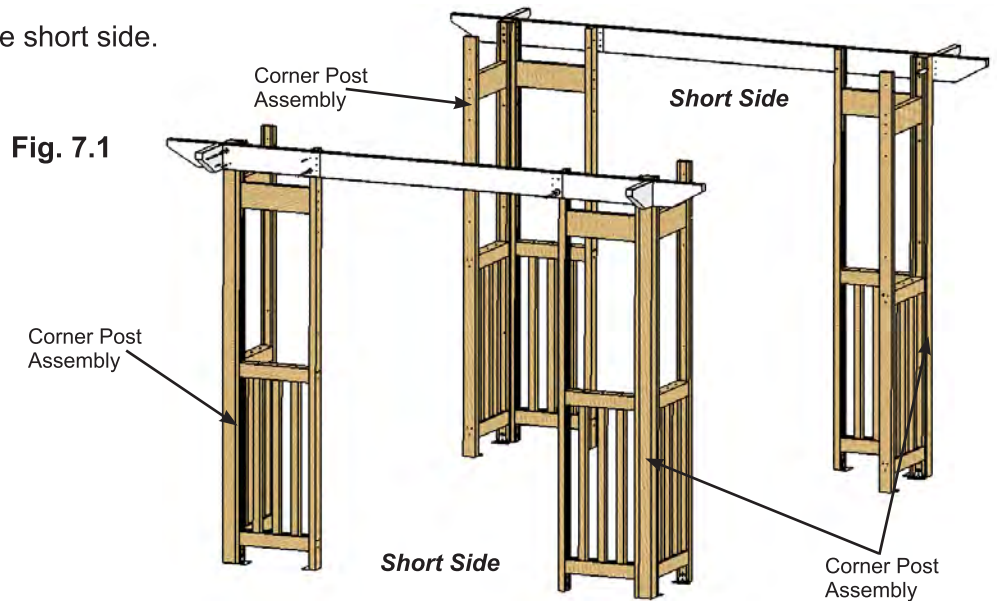
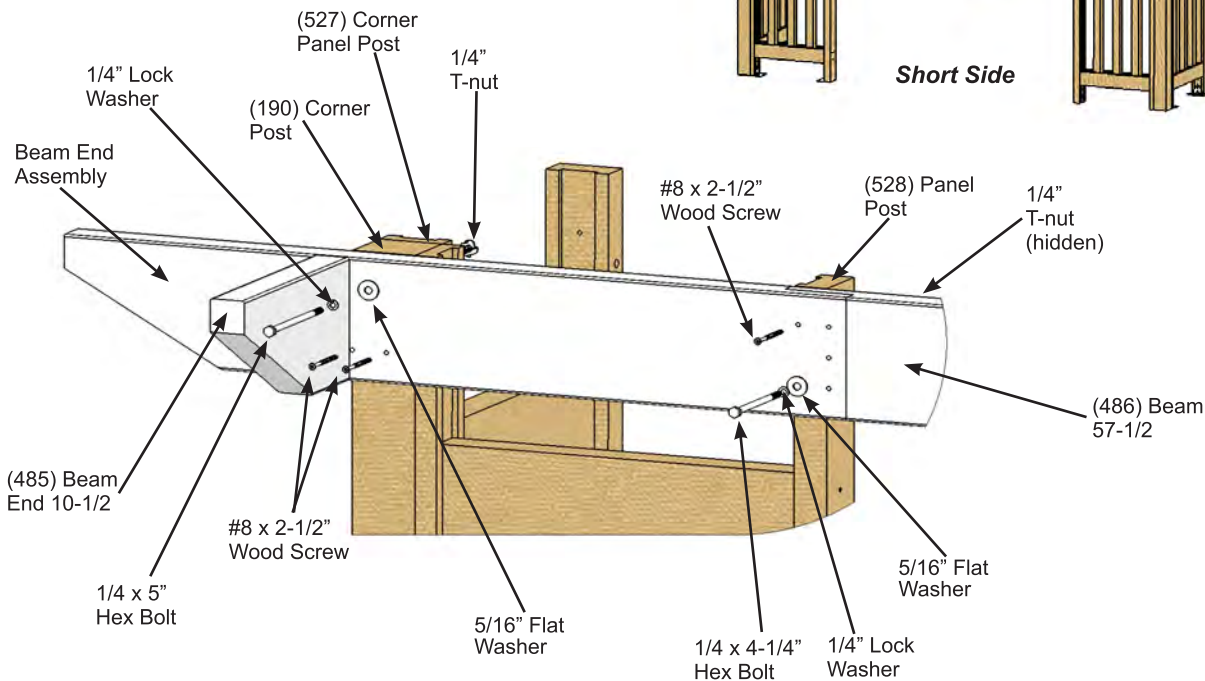


Fig. 7.1

Fig. 7.2



Wood Parts

2 x (486) Beam 57-1/2

Hardware

4 x 1/4 x 4-1/4" Hex Bolt
(1/4" lock washer, 5/16" flat washer, 1/4" t-nut)
4 x 1/4 x 5" Hex Bolt
(1/4" lock washer, 5/16" flat washer, 1/4" t-nut)
12 x #8 x 2-1/2" Wood Screw

Step 7: Frame Assembly Part 2



F: On one long side place the Front Beam Assembly with the (499) Plaque against the Corner Post Assemblies with (499) Plaque facing out. Loosely attach Front Beam Assembly to each (190) Corner Post and (527) Corner Panel Post with one 1/4 x 5" Hex Bolt (with 1/4" lock washer, 5/16" flat washer and 1/4" t-nut) per post. Top of the Front Beam Assembly should be flush to the tops of (190) Corner Posts and (528) Panel Posts. This will be the front of the assembly. (fig. 7.3 and 7.4)

G: Loosely attach Front Beam Assembly to each (528) Panel Post with one 1/4 x 4-1/4" Hex Bolt (with 1/4" lock washer, 5/16" flat washer and 1/4" t-nut) per post. (fig. 7.3 and 7.4)

H: Make sure Front Beam Assembly is level then attach to Corner Post Assemblies with six #8 x 2-1/2" Wood Screws (fig. 7.3 and 7.4)

I: Repeat Steps F - H for the other Front Beam Assembly on the opposite long side.

Fig. 7.3

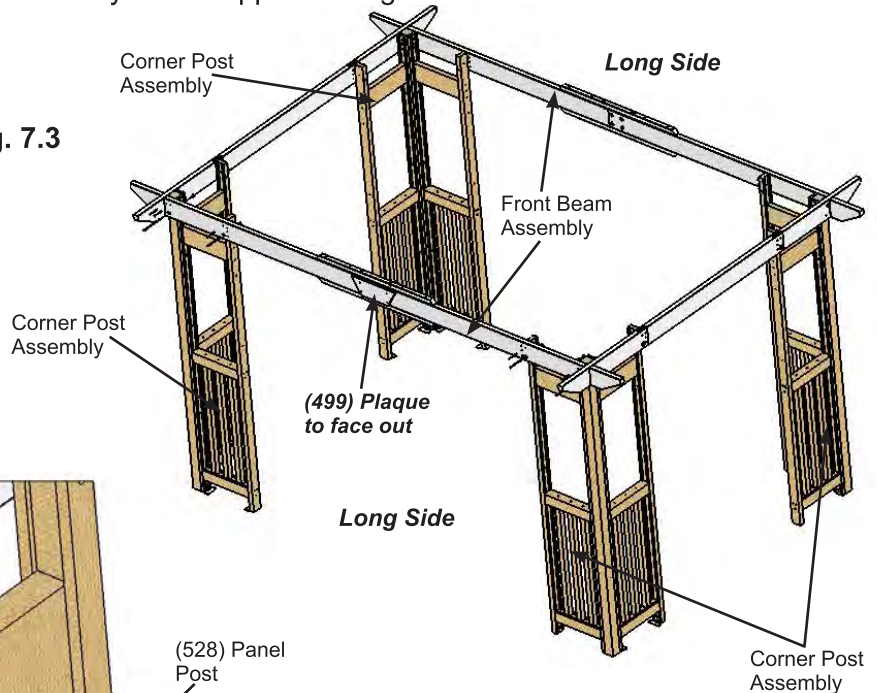
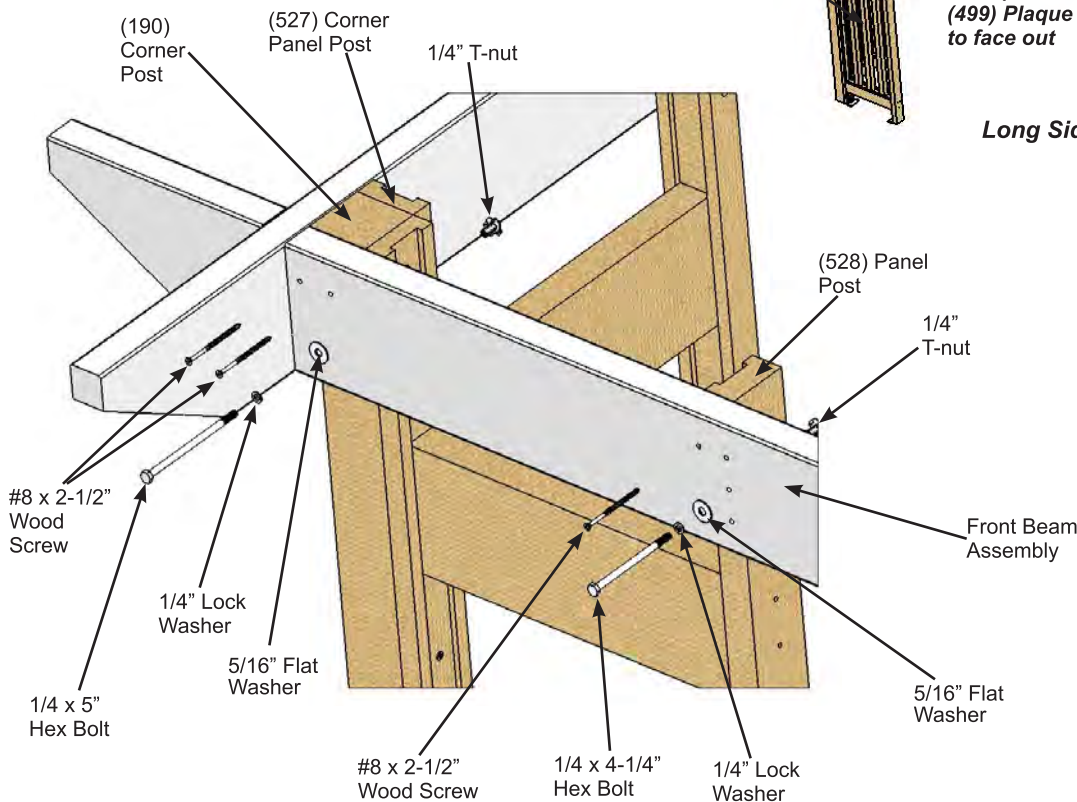


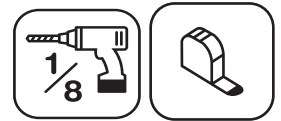
Fig. 7.4



Hardware

- 4 x 1/4 x 4-1/4" Hex Bolt
(1/4" lock washer, 5/16" flat washer, 1/4" t-nut)
- 4 x 1/4 x 5" Hex Bolt
(1/4" lock washer, 5/16" flat washer, 1/4" t-nut)
- 12 x #8 x 2-1/2" Wood Screw

Step 8: Beam Assembly - Inner Beam



A: Interlock the cut-outs on two (488) Inner Beams then attach with four 5/16 x 1-1/2" Hex Bolts (with 5/16" lock washer, 5/16" flat washer and 5/16" t-nut). (fig. 8.1 and 8.2)

B: Place one (026) Splice on top of (488) Inner Beams with long side facing down, 52" from the end of one beam then using a 1/8" drill bit pre-drill a hole using the countersunk holes as a guide and attach with two 5/16 x 3" Lag Screws (with 5/16" flat washer) and four #8 x 3" Wood Screws. Turn (488) Inner Beams over and repeat for other side. (fig. 8.1 and 8.3)

C: Repeat Steps A and B to create a second Inner Beam Assembly. (fig. 8.1, 8.2 and 8.3)

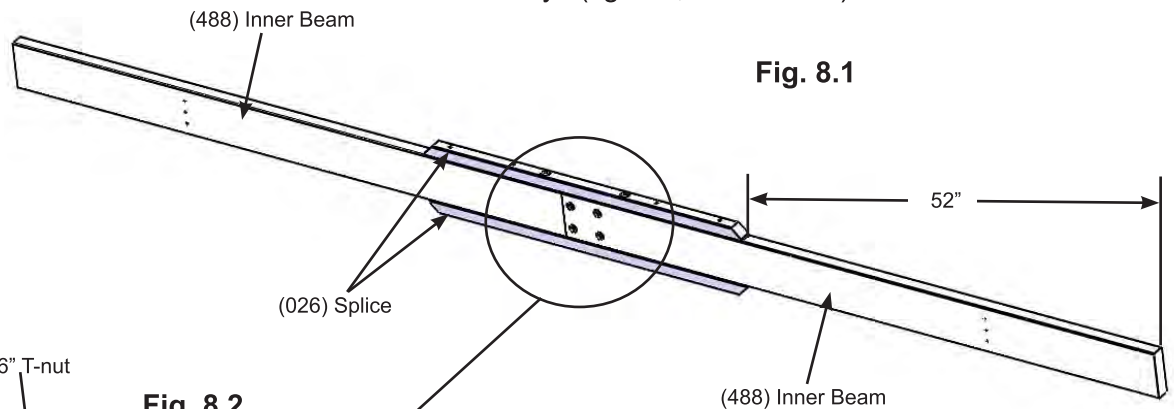


Fig. 8.2

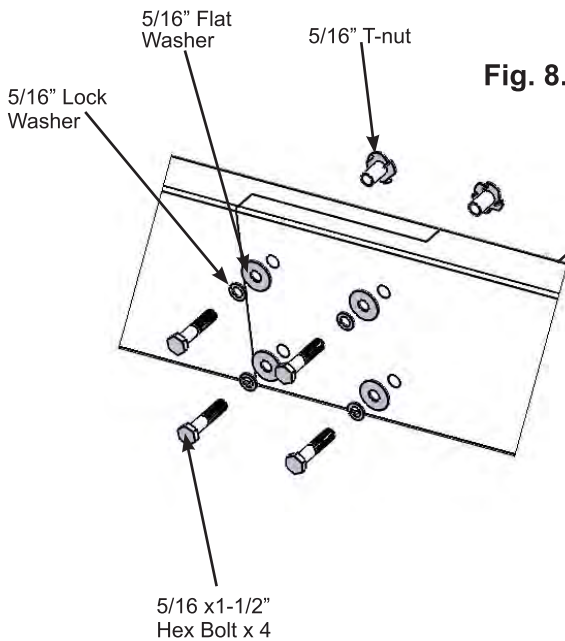
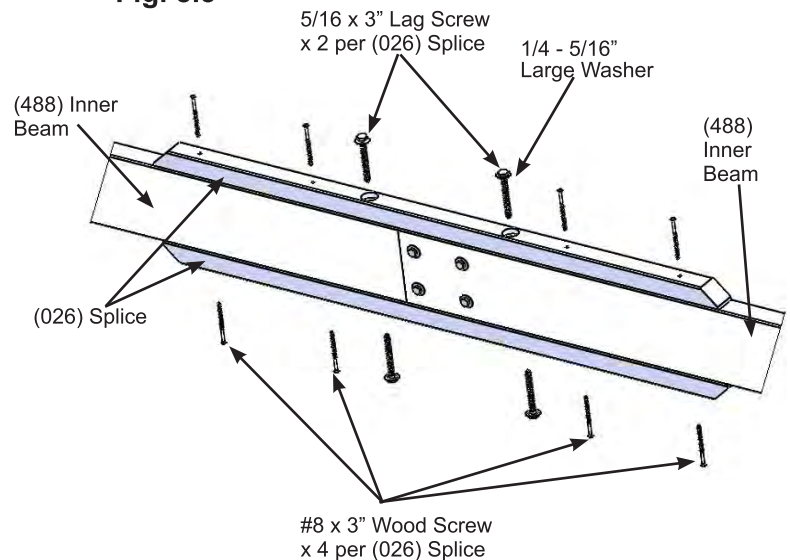


Fig. 8.3



Wood Parts

4 x (488) Inner Beam
4 x (026) Splice

Hardware

8 x 5/16 x 3" Lag Screw (5/16" flat washer)
8 x 5/16 x 1-1/2" Hex Bolt
(5/16" lock washer, 5/16" flat washer, 5/16" t-nut)
16 x #8 x 3" Wood Screws

Step 9: Attach Inner Beam Assemblies



A: Place one Inner Beam Assembly against (528) Panel Posts on the short side, flush to the top of the post then attach Beam End Assembly and (486) Beam 57-1/2 to Inner Beam Assembly with three #10 x 4" Wood Screws per side. Make sure Inner Beam Assembly is level. (fig. 9.1 and 9.2)

B: In between the Front Beam Assembly and Inner Beam Assembly place one (067) Beam 20-3/4 flush to the top of the Beam Assemblies and tight to the outside of each (528) Panel Post. Attach Beam Assemblies to (067) Beam 20-3/4 with six #10 x 4" Wood Screws per (067) Beam 20-3/4. (fig. 9.1 and 9.3)

C: Attach each (528) Panel Post on the short and long side to (067) Beam 20-3/4 and Inner Beam Assembly with one #8 x 2" Wood Screw per post. (fig. 9.1. and 9.3)

D: Repeat Steps A - C for the opposite long side. (fig. 9.1, 9.2. and 9.3)

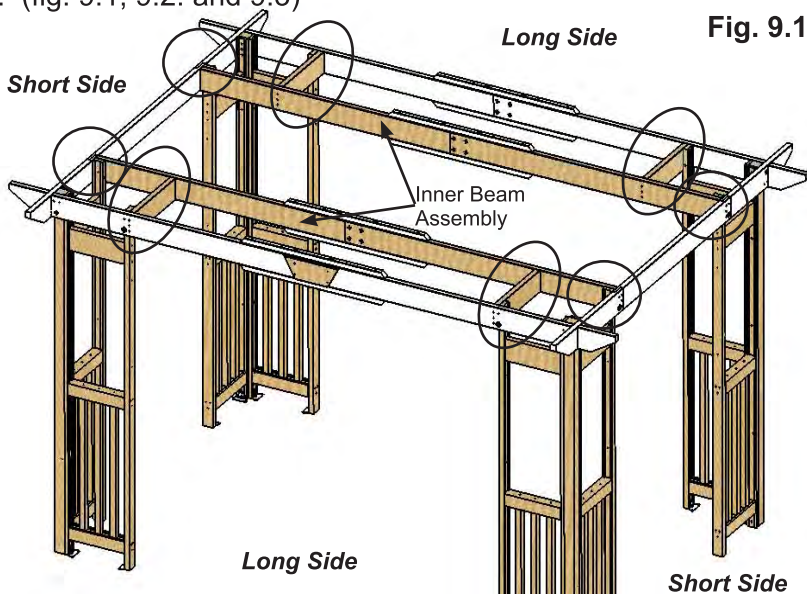


Fig. 9.1

Fig. 9.2

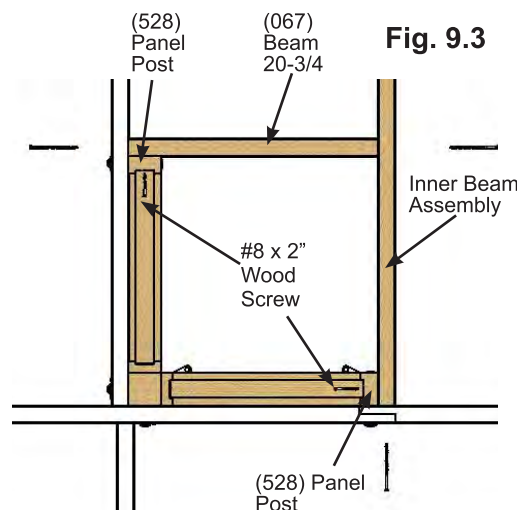
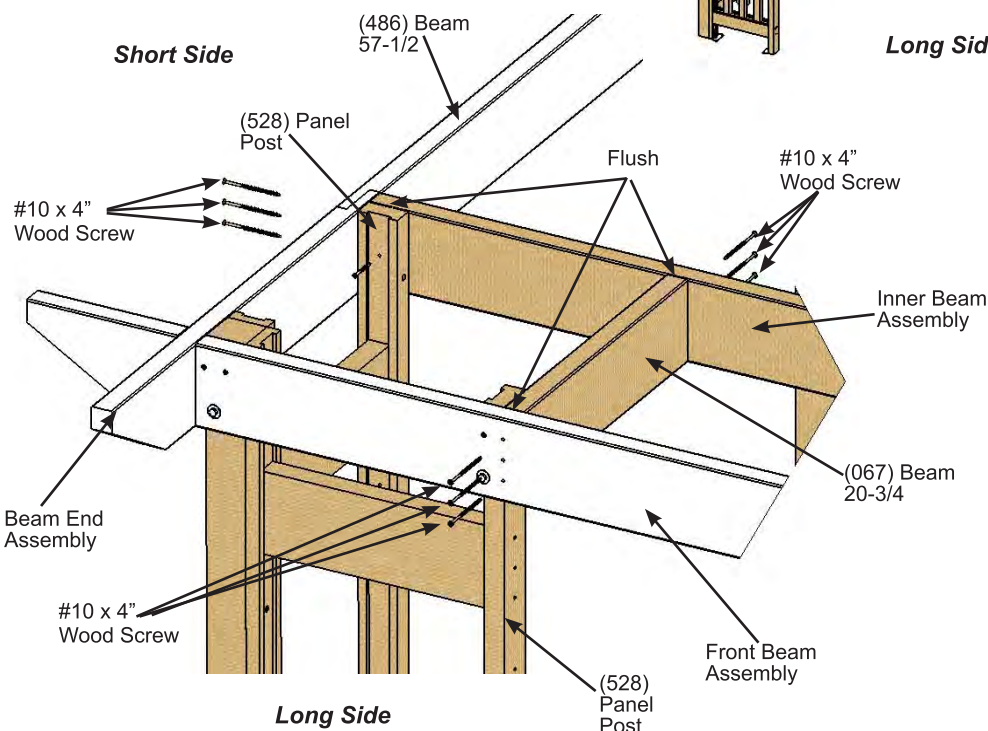


Fig. 9.3

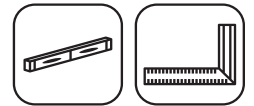
Wood Parts

4 x (067) Beam 20-3/4

Hardware

36 x #10 x 4" Wood Screw
8 x #8 x 2" Wood Screws

Step 10: Attach Arch Gussets Part 1



Note: The bevelled ends on each gusset should always face away from the wood it is attaching to.

A: Make sure the assembly is still square and level then from the inside of the assembly, facing one (486) Beam 57-1/2 place one (483) Arch Gusset Right on the right hand side so the top fits tight to (486) Beam 57-1/2 and the bottom fits tight to the side and flush to the front of (528) Panel Post and bottom of (581) Top Horizontal. Attach gusset to (486) Beam 57-1/2 with two #8 x 2-1/2" Wood Screws and to (528) Panel Post with one #8 x 3" Wood Screw. Repeat for the left hand side with one (484) Arch Gusset Left. (fig. 10.1, 10.2 and 10.3)

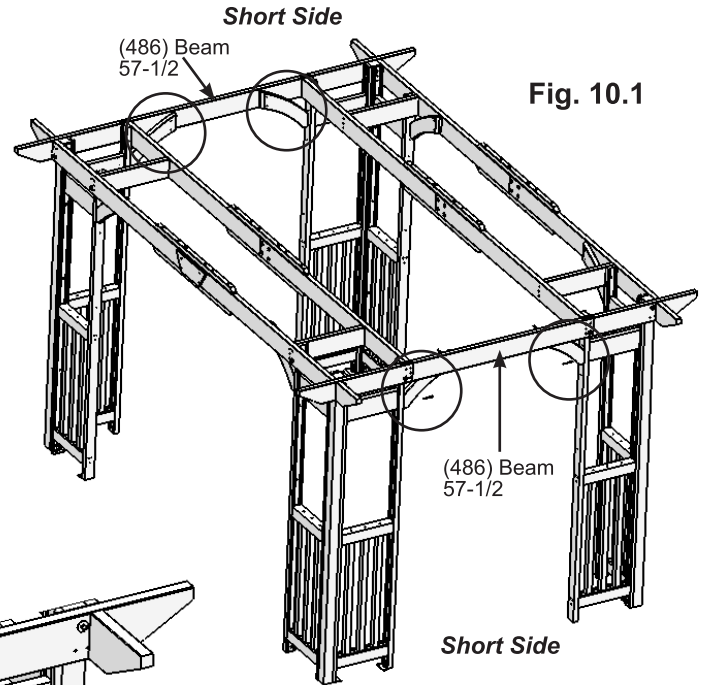


Fig. 10.1

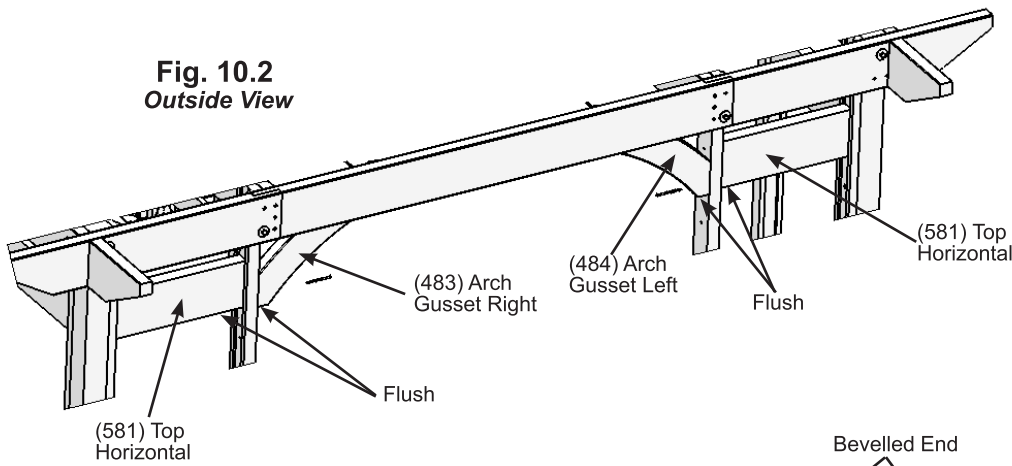


Fig. 10.2
Outside View

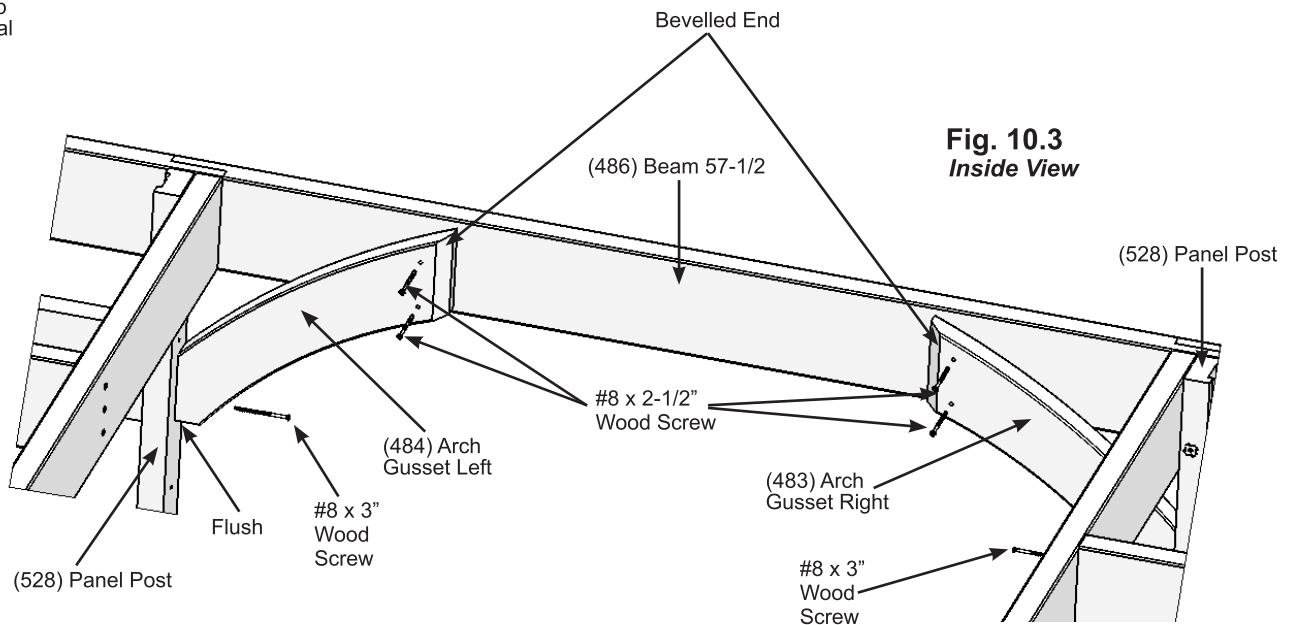


Fig. 10.3
Inside View

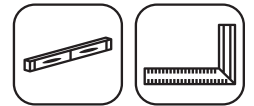
Wood Parts

- 2 x (483) Arch Gusset Right
- 2 x (484) Arch Gusset Left

Hardware

- 8 x #8 x 2-1/2" Wood Screws
- 4 x #8 x 3" Wood Screws

Step 10: Attach Arch Gussets Part 2



Note: The bevelled ends on each gusset should always face away from the wood it is attaching to.

B: Make sure the assembly is still square and level then facing one Front Beam Assembly on the long side place one (483) Arch Gusset Right on the right hand side so the top fits tight to Front Beam Assembly and the bottom fits tight to the side and flush to the front of (528) Panel Post and bottom of (581) Top Horizontal. Attach gusset to Front Beam Assembly with two #8 x 2-1/2" Wood Screws and to (528) Panel Post with one #8 x 3" Wood Screw. Repeat for the left hand side with one (484) Arch Gusset Left. (fig. 10.4 and 10.5)

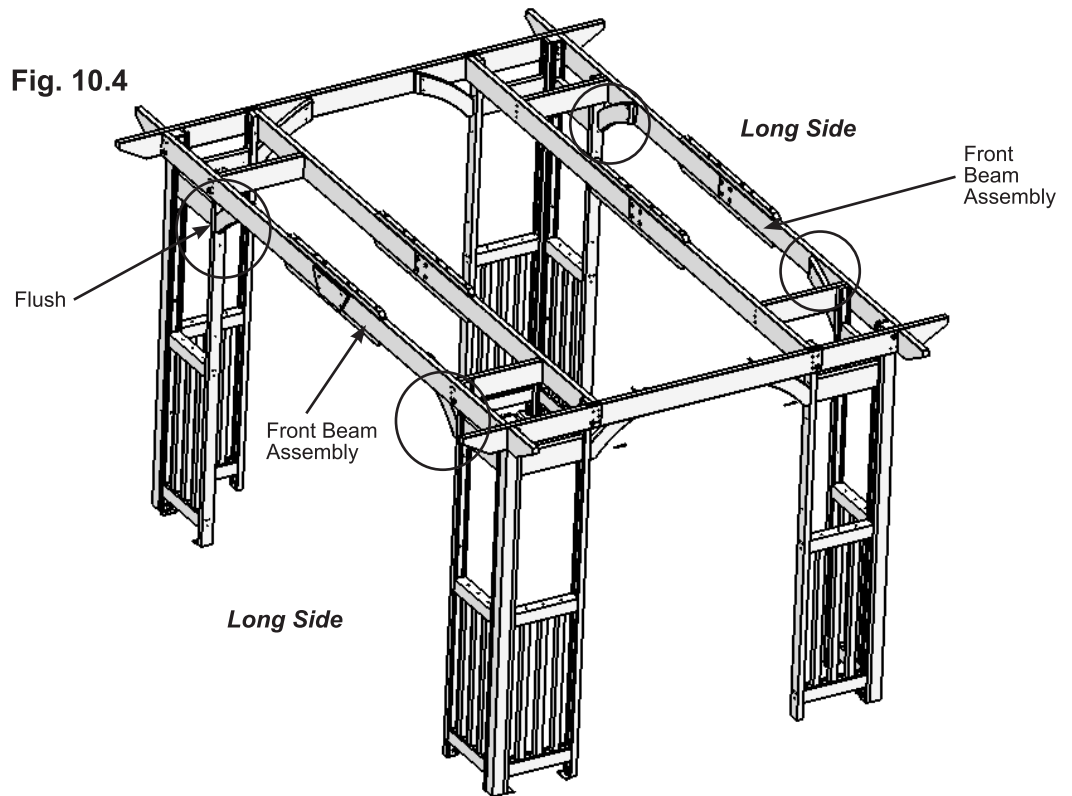
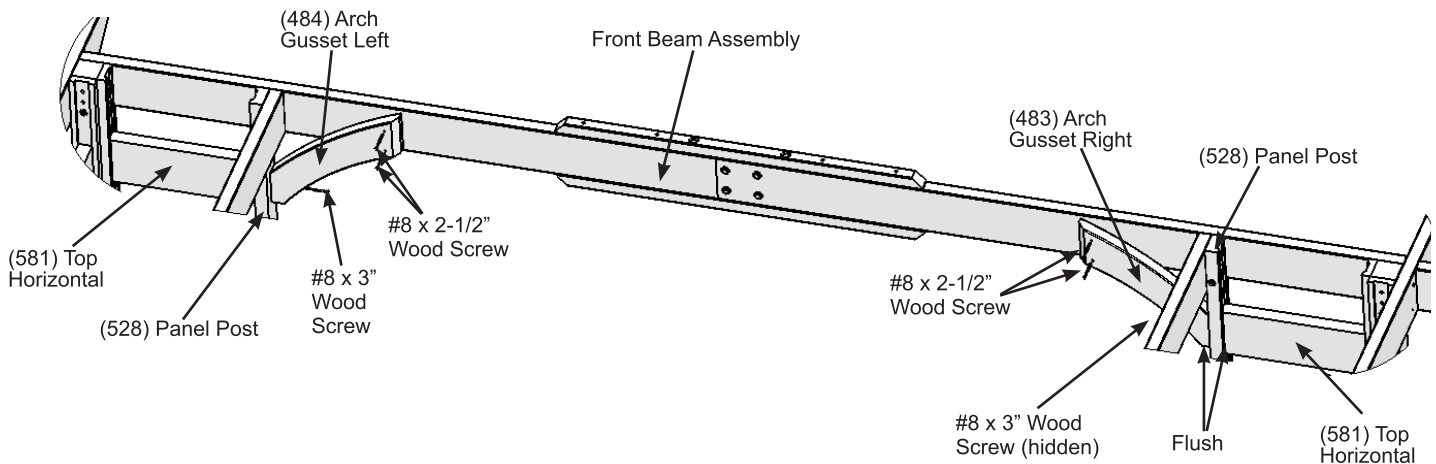


Fig. 10.5
Inside View



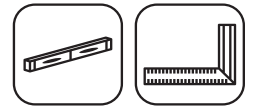
Wood Parts

- 2 x (483) Arch Gusset Right
- 2 x (484) Arch Gusset Left

Hardware

- 8 x #8 x 2-1/2" Wood Screws
- 4 x #8 x 3" Wood Screws

Step 10: Attach Arch Gussets Part 3



Note: The bevelled ends on each gusset should always face away from the wood it is attaching to.

C: From the inside of the assembly, facing one Inner Beam Assembly place one (483) Arch Gusset Right on the right hand side so the top fits tight to Inner Beam Assembly and the bottom fits tight to the side and flush to the front of (528) Panel Post and bottom of (581) Top Horizontal and other gussets. Attach gusset to Inner Beam Assembly with two #8 x 2-1/2" Wood Screws and to (528) Panel Post with one #8 x 3" Wood Screw. Repeat for the left hand side with one (484) Arch Gusset Left. (fig. 10.6 and 10.7)

D: Repeat Steps A - C so all 12 gussets are attached.

Fig. 10.6

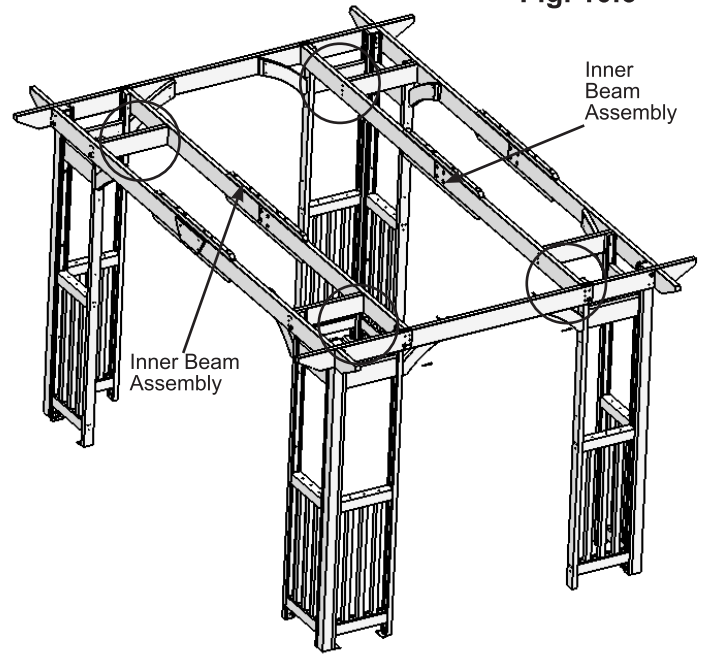
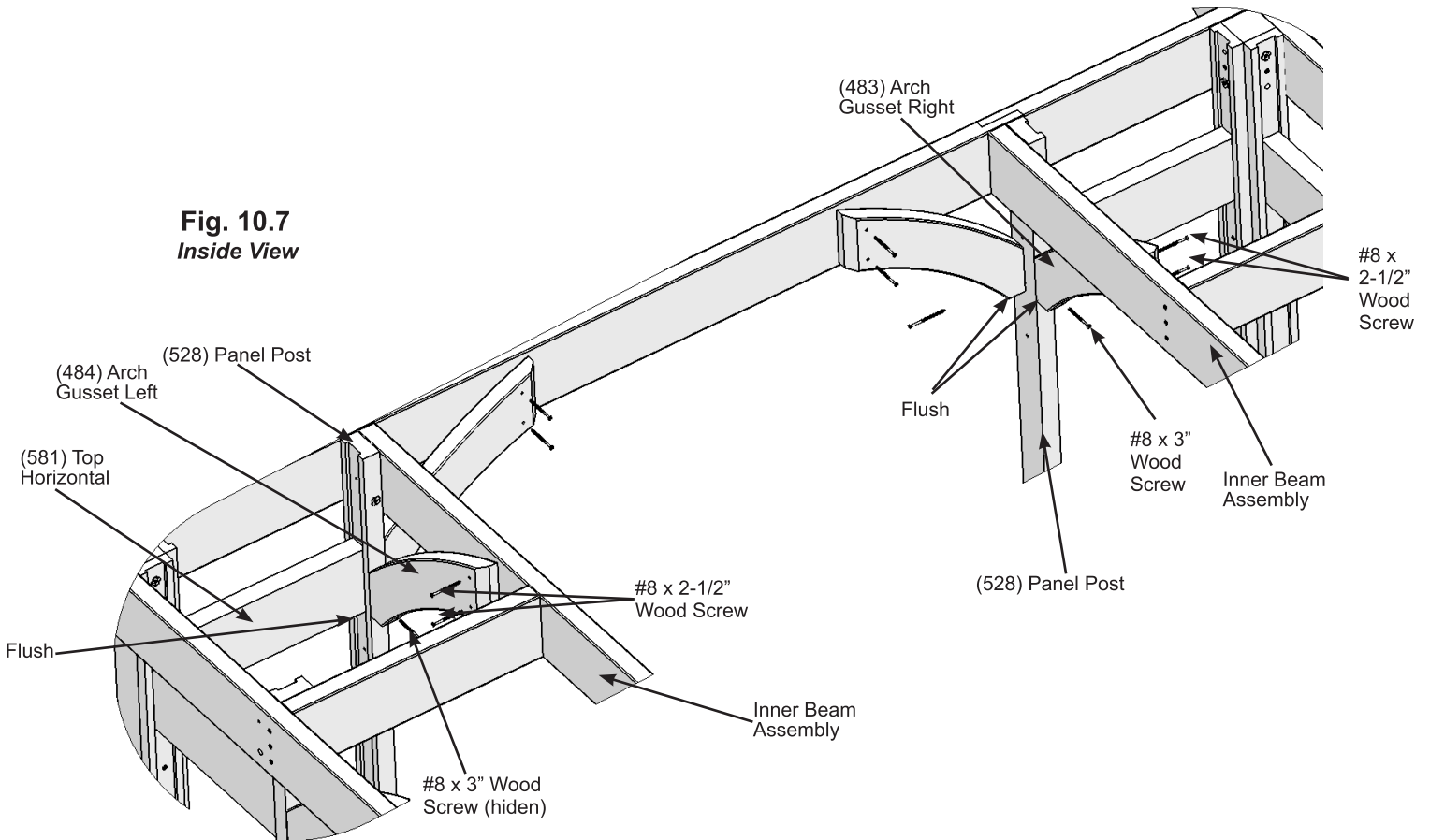


Fig. 10.7
Inside View



Wood Parts

- 2 x (483) Arch Gusset Right
- 2 x (484) Arch Gusset Left

Hardware

- 8 x #8 x 2-1/2" Wood Screws
- 4 x #8 x 3" Wood Screws

Step 11: Trellis Assembly Part 1

A: Interlock one (490) Short Trellis A with one (491) Long Trellis A then attach with one 1/4 x 1-3/4" Hex Bolt (with two 5/16" flat washer and one 1/4" lock nut) in the top hole and one Trellis Clip, in the bottom hole, on each side connecting with one 1/4 x 1-3/4" Hex Bolt (with one 1/4" lock nut). Trellis Clip should be flush to the bottom of the board. (fig. 11.1 and 11.2)

B: Place three more Trellis Clips on each side of the Trellis A Assembly and attach with one 1/4 x 1-3/4" Hex Bolt (with one 1/4" lock nut) per pair of clips. (fig. 11.1 and 11.2)

C: Repeat Steps A and B with four (492) Short Trellis B and four (493) Long Trellis B to create four Trellis B Assemblies. (fig. 11.1 and 11.2)

Fig. 11.1

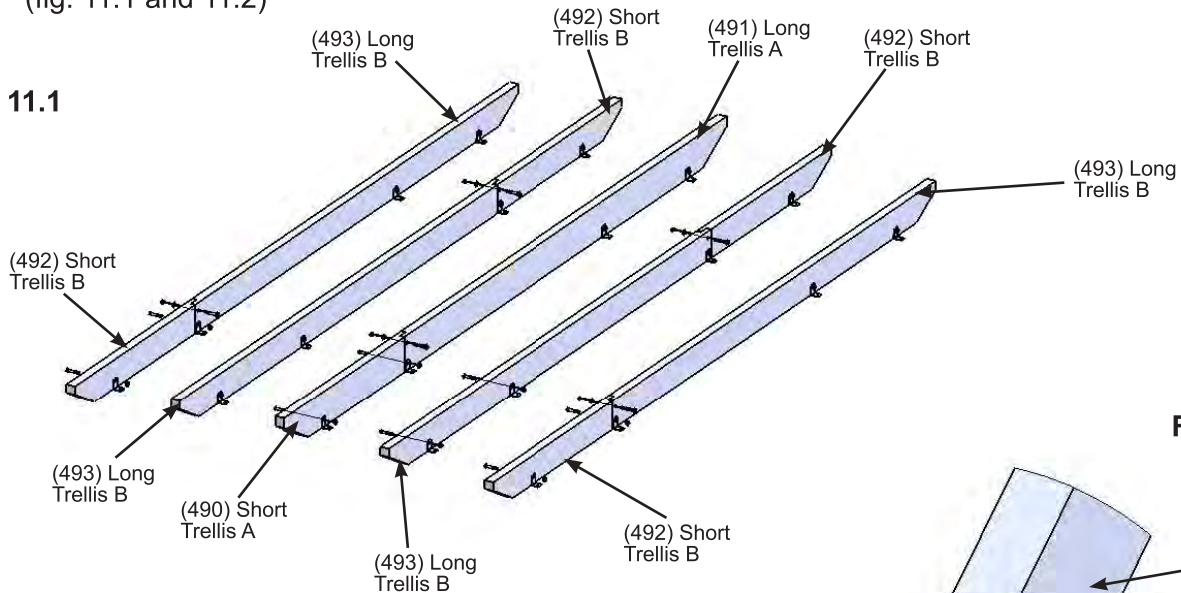
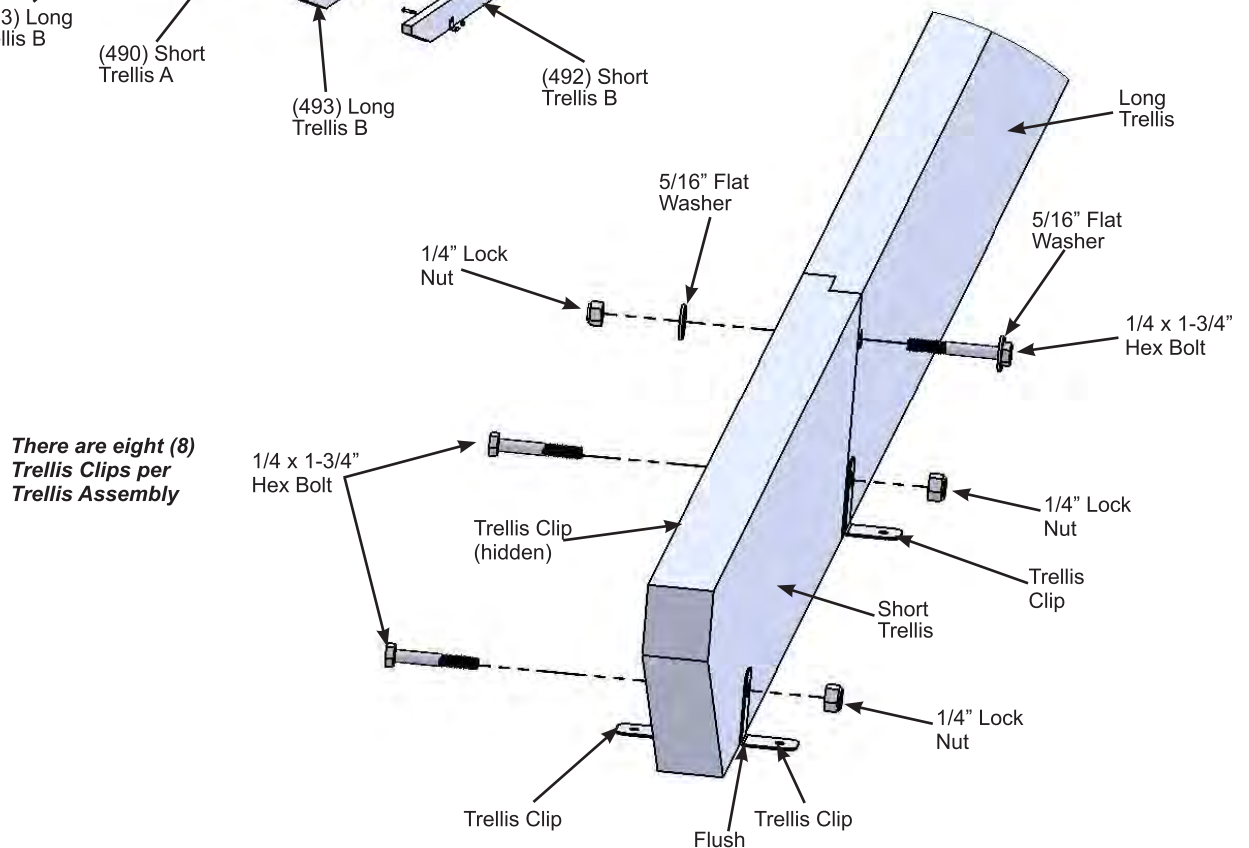


Fig. 11.2



Wood Parts

- 1 x (490) Short Trellis A
- 1 x (491) Long Trellis A
- 4 x (492) Short Trellis B
- 4 x (493) Long Trellis B

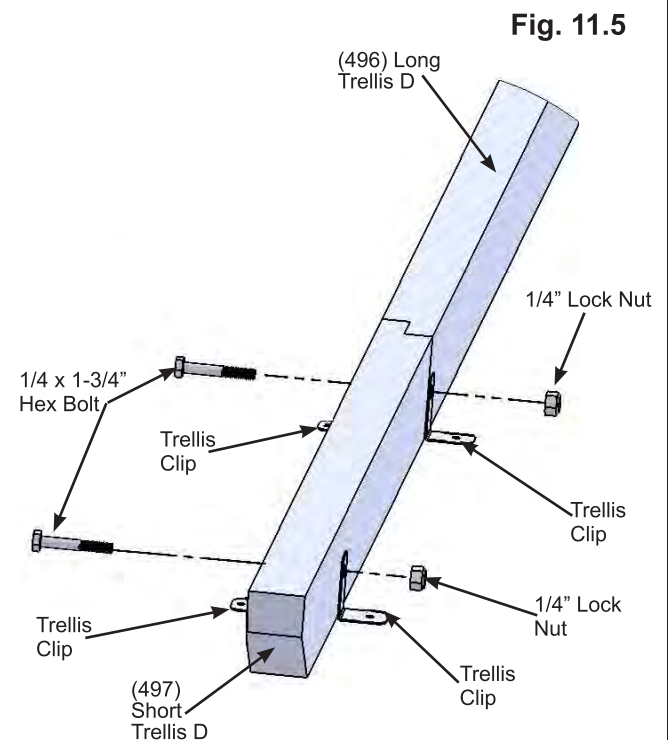
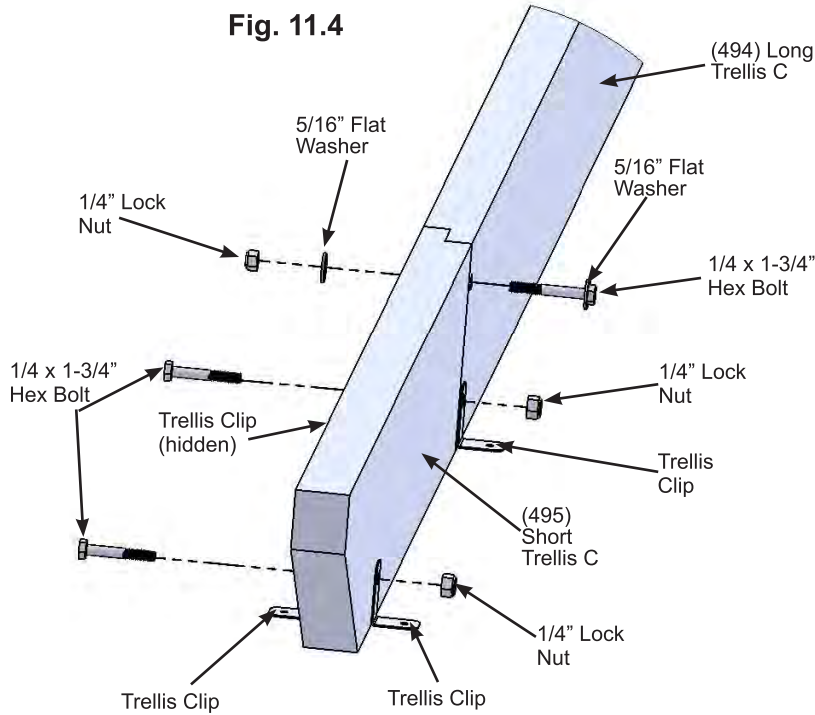
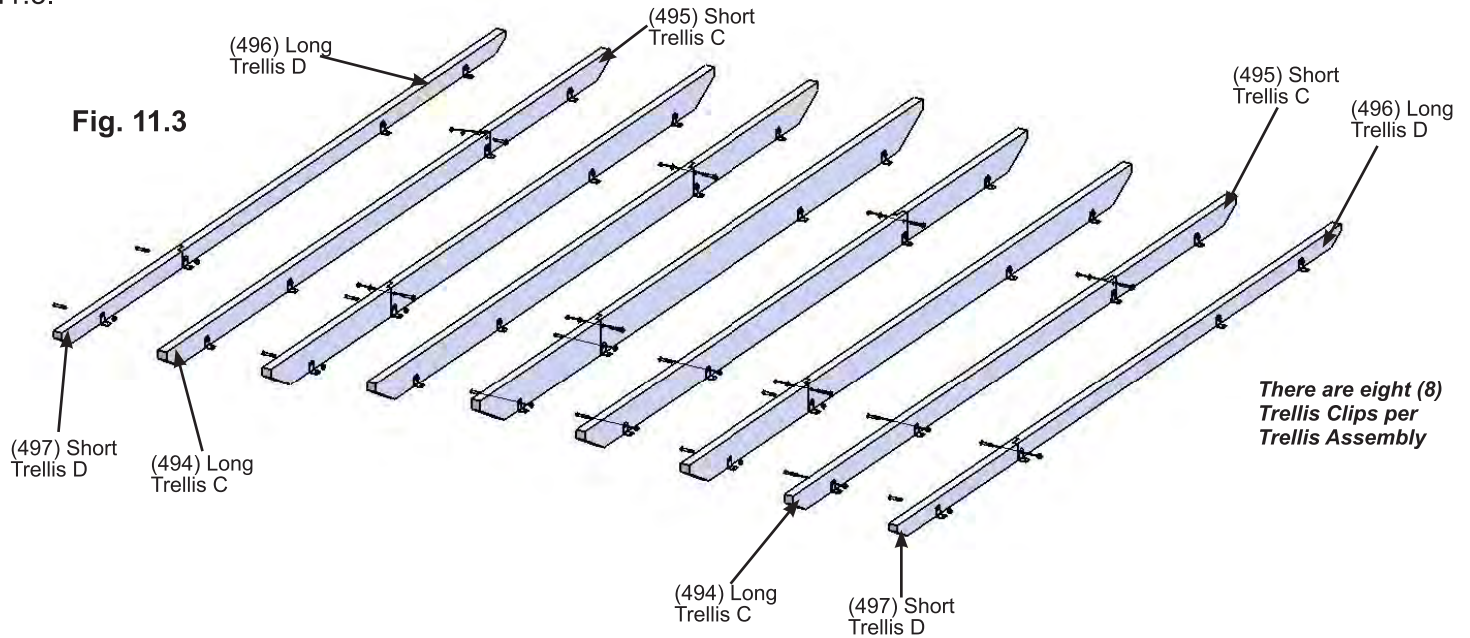
Hardware

- 5 x 1/4 x 1-3/4" Hex Bolt (5/16" flat washer x 2, 1/4" lock nut)
- 20 x 1/4 x 1-3/4" Hex Bolt (1/4" lock nut)
- 40 x Trellis Clip

Step 11: Trellis Assembly Part 2

D: Repeat Steps A and B to create two Trellis C Assemblies and two Trellis D Assemblies with two (495) Short Trellis C, two (494) Long Trellis C, two (497) Short Trellis D and two (496) Long Trellis D. The Trellis D Assemblies do not get the 1/4 x 1-3/4" Hex Bolt (with two 5/16" flat washer and one 1/4" lock nut) in the top hole, only the Trellis Clips with 1/4 x 1-3/4" Hex Bolt (with one 1/4" lock nut) (fig. 11.3, 11.4 and 11.5)

E: Each Trellis Assembly will be placed in the order and staggered when attaching to the Pergola, as shown in fig. 11.3.



Wood Parts

2 x (495) Short Trellis C
 2 x (494) Long Trellis C
 2 x (497) Short Trellis D
 2 x (496) Long Trellis D

Hardware

2 x 1/4 x 1-3/4" Hex Bolt (5/16" flat washer x 2, 1/4" lock nut)
 16 x 1/4 x 1-3/4" Hex Bolt (1/4" lock nut)
 32 x Trellis Clip

Step 11: Trellis Assembly Part 3



F: Place Trellis Assembly A on top of each Front and Inner Beam Assembly, centred on each (026) Splice then attach to (026) Splice, Front Beam Assemblies and Inner Beam Assemblies through the Trellis Clips with one #10 x 1-1/4" Pan Screw per clip. (fig. 11.6 and 11.7)

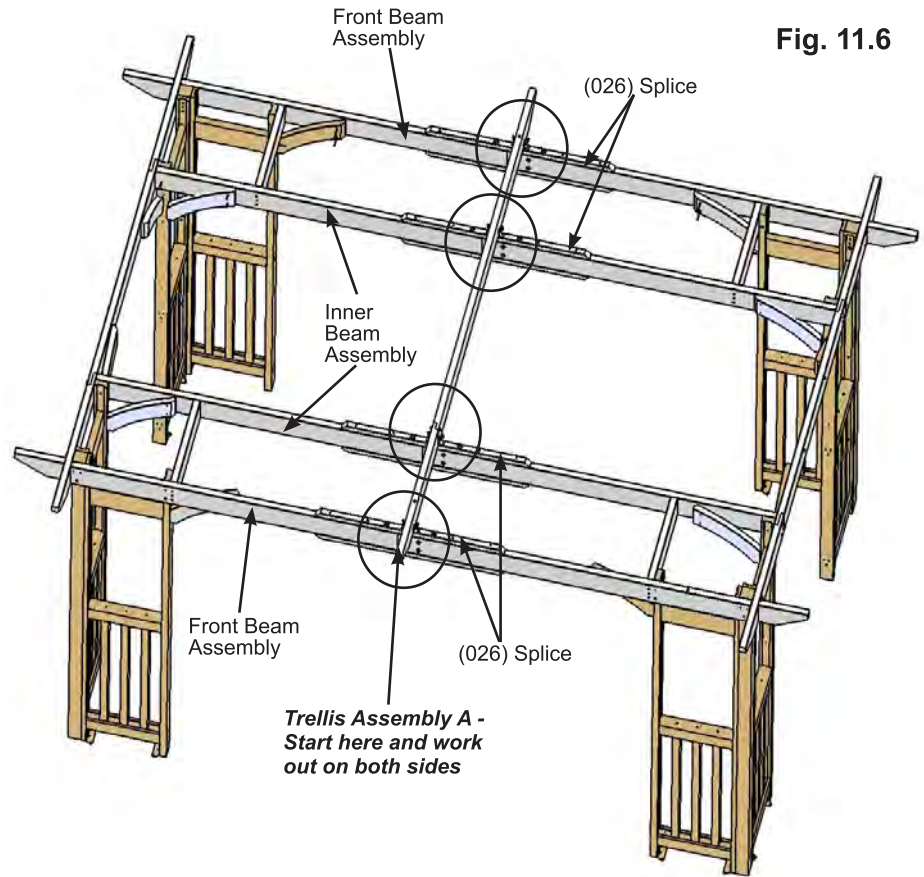
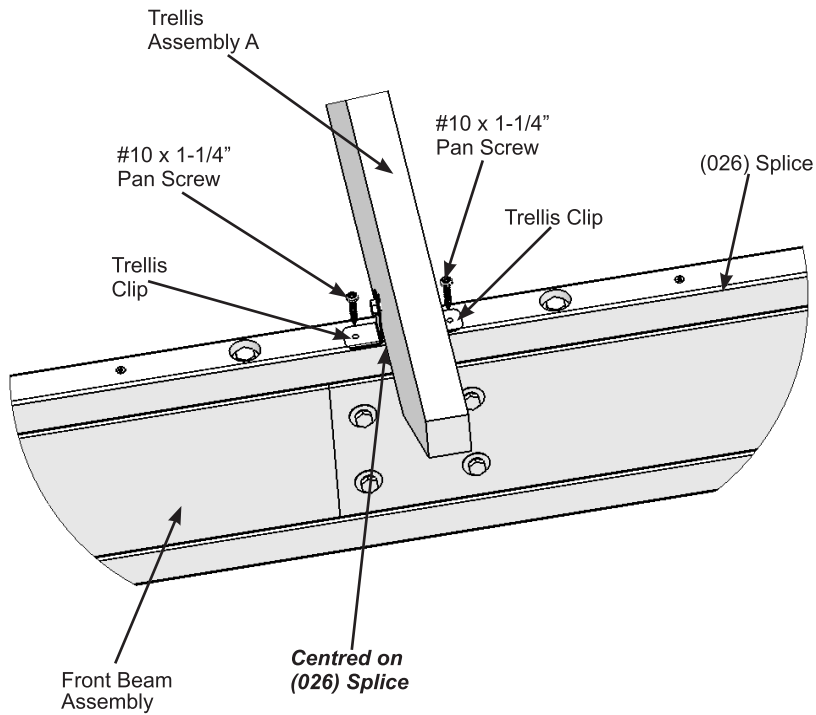


Fig. 11.6

Fig. 11.7
Outside View



Hardware

8 x #10 x 1-1/4" Pan Screw

Step 11: Trellis Assembly Part 4



G: Follow with two Trellis Assembly Bs on each side of Trellis Assembly A, then Trellis Assembly C and Trellis Assembly D. Attach each with one #10 x 1-1/4" Pan Screw per clip. Short and Long Trellis' are staggered as shown in fig. 11.3 from Part 2. (fig. 11.8, 11.9 and 11.10)

Note: The distance between Trellis Assemblies should be 13-1/2".

Note that two Trellis Assembly Bs rests on (026) Splice, the remaining Trellis Assemblies rest directly on the Front and Inner Beam Assemblies.

Fig. 11.8

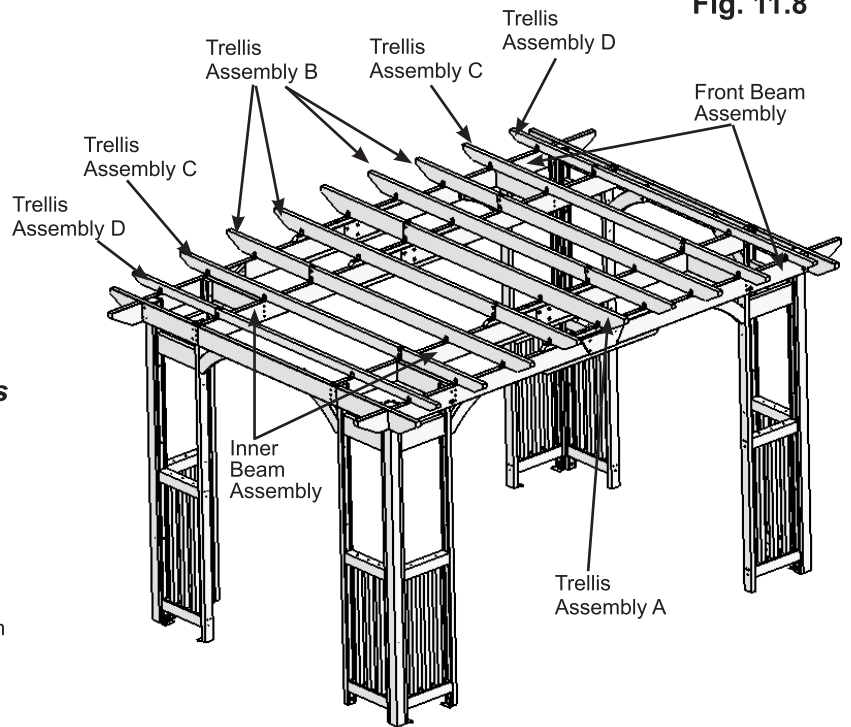


Fig. 11.10
Inside View

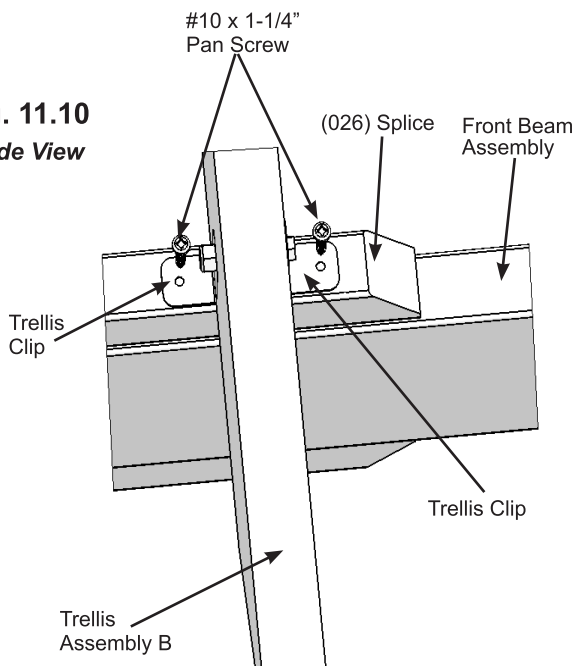
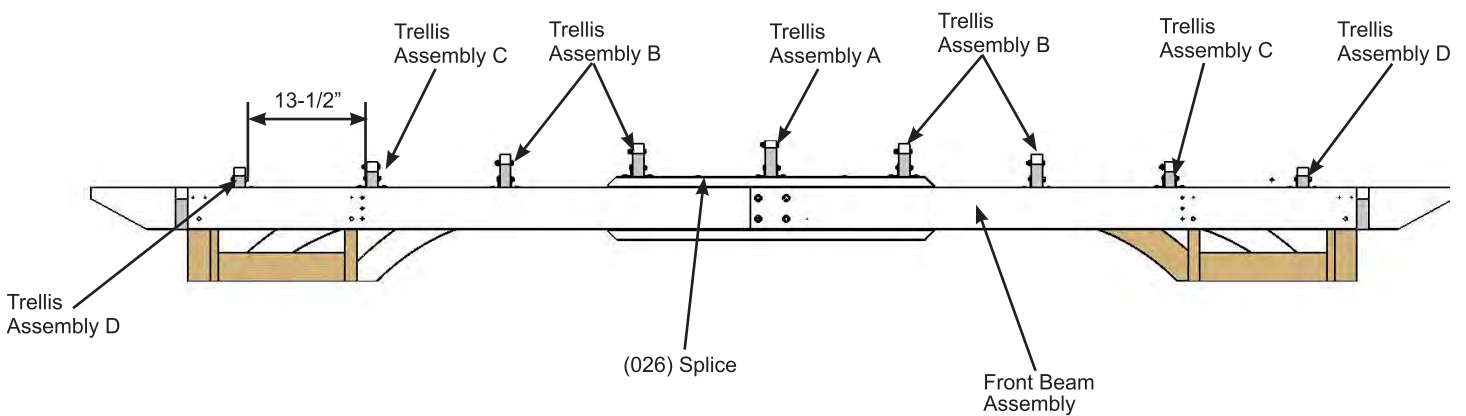


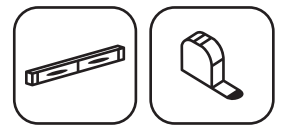
Fig. 11.9
Outside View



Hardware

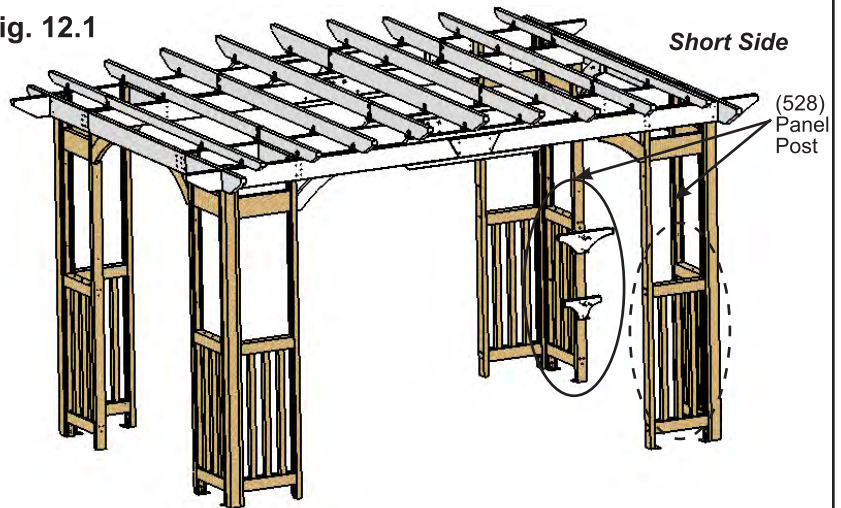
64 x #10 x 1-1/4" Pan Screw

Step 12: Bar Assembly - Gussets



A: On one short side place one (516) Bar Gusset against (528) Panel Post so the top measures 40-1/8" from the bottom of (528) Panel Post. The longer end over hangs the outside of (528) Panel Post by 7-7/8". Make sure gusset is level then attach (516) Bar Gusset to (528) Panel Post with three #8 x 2" Wood Screws. (fig. 12.1 and 12.2)

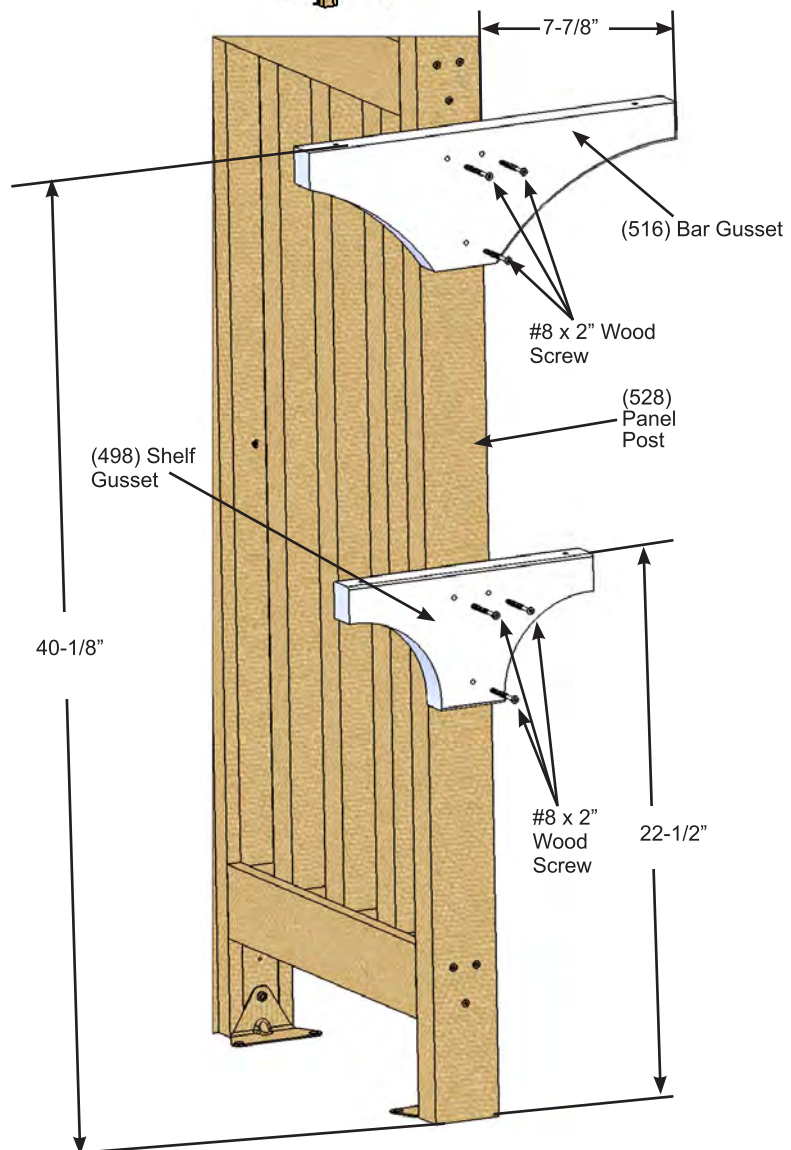
Fig. 12.1



B: Below the (516) Bar Gusset place one (498) Shelf Gusset so the top measures 22-1/2" from the bottom of (528) Panel Post and each end over hangs equally. Make sure gusset is level then attach (498) Shelf Gusset to (528) Panel Post with three #8 x 2" Wood Screws. (fig. 12.1 and 12.2)

C: Repeat Steps A and B on the other (528) Panel Post on the same side. (fig. 12.1 and 12.2)

Fig. 12.2
Inside View



Wood Parts

- 2 x (516) Bar Gusset
- 2 x (498) Shelf Gusset

Hardware

- 12 x #8 x 2" Wood Screw

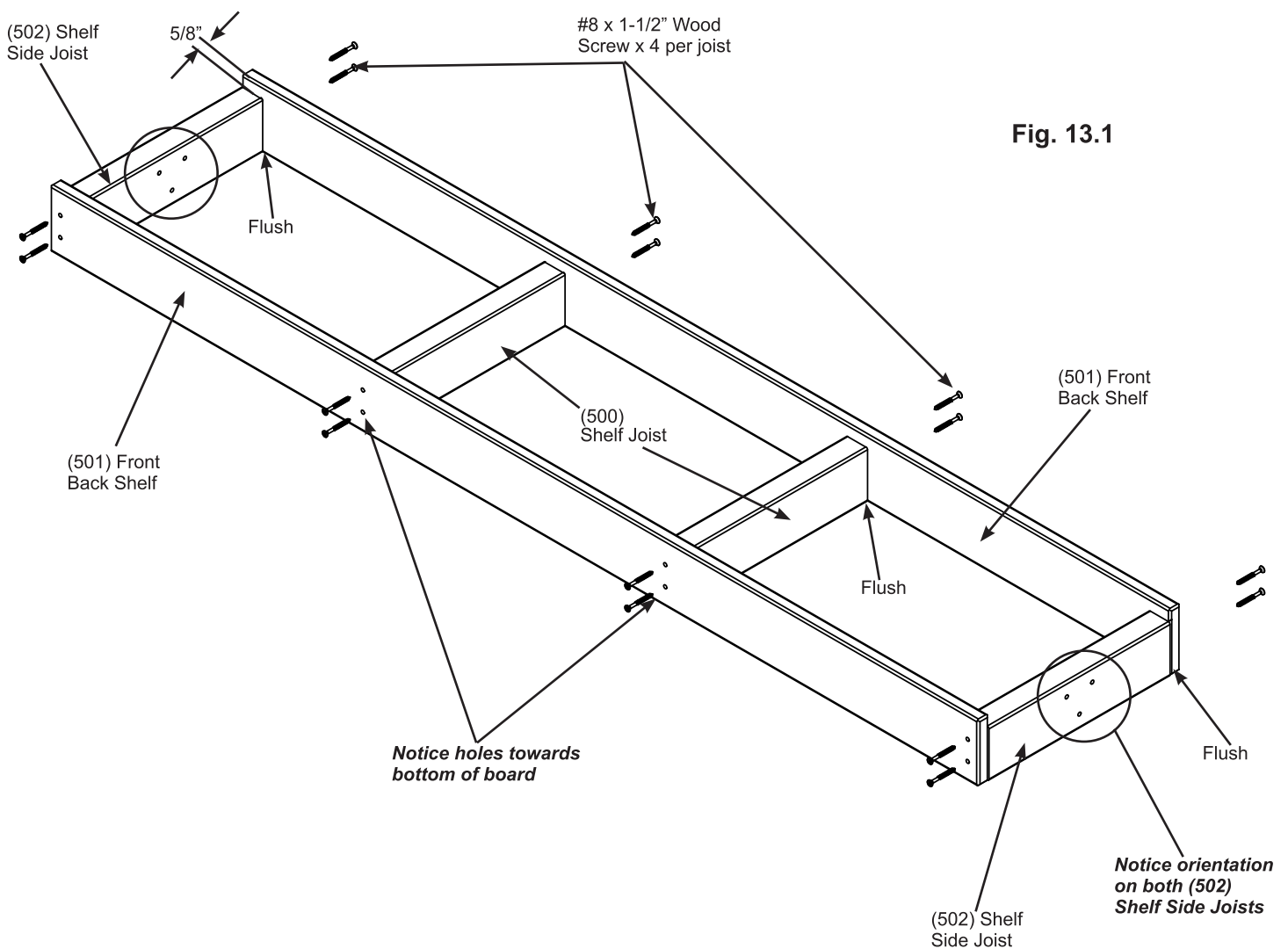
Step 13: Bar Assembly - Shelf Frame Part 1



A: Flush to the ends and bottom of one (501) Front Back Shelf place one (502) Shelf Side Joist at each end and attach with two #8 x 1-1/2" Wood Screws per joist. Notice orientation of screw holes on face of boards. There will be a 5/8" overhang at the top of (501) Front Back Shelf. (fig. 13.1)

B: Place two (500) Shelf Joists centred over the pilot holes in the middle of (501) Front Back Shelf, flush to the bottom of the board, then attach with two #8 x 1-1/2" Wood Screws per joist. There will be a 5/8" overhang at the top of (501) Front Back Shelf. (fig. 13.1)

C: Flush to the bottom of each joist and outside of each (502) Shelf Side Joist attach one (501) Front Back Shelf with eight #8 x 1-1/2" Wood Screws. There will be a 5/8" overhang at the top of (501) Front Back Shelf. (fig. 13.1)



Wood Parts

- 2 x (500) Shelf Joist
- 2 x (501) Front Back Shelf
- 2 x (502) Shelf Side Joist

Hardware

- 16 x #8 x 1-1/2" Wood Screw

Step 13: Bar Assembly - Shelf Frame Part 2



D: Place Shelf Frame on top of both (498) Shelf Gussets so the front of the frame overhangs the gussets by 5/8". Attach each (502) Shelf Side Joist to each (528) Panel Post with three #8 x 2" Wood Screws per joist. (fig. 13.2, 13.3 and 13.4)

Fig. 13.2

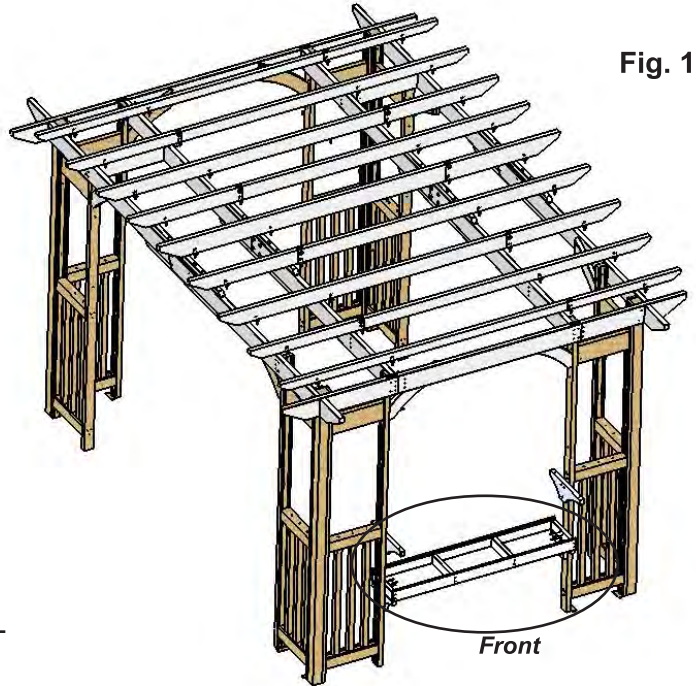


Fig. 13.4

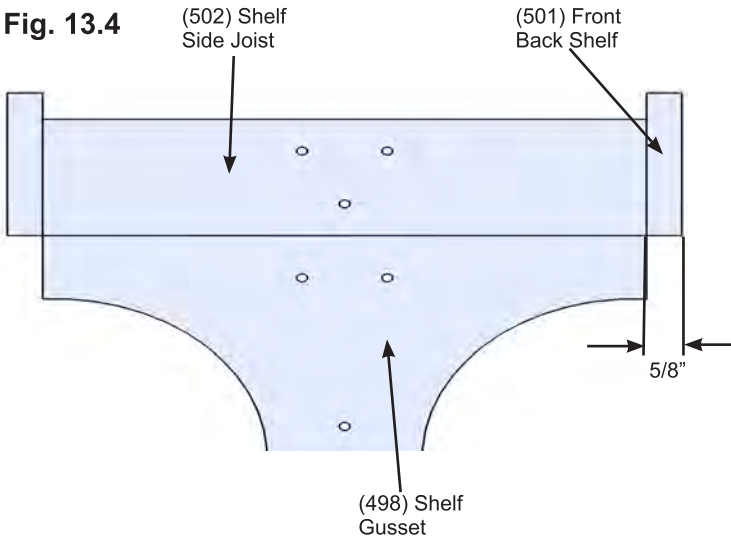
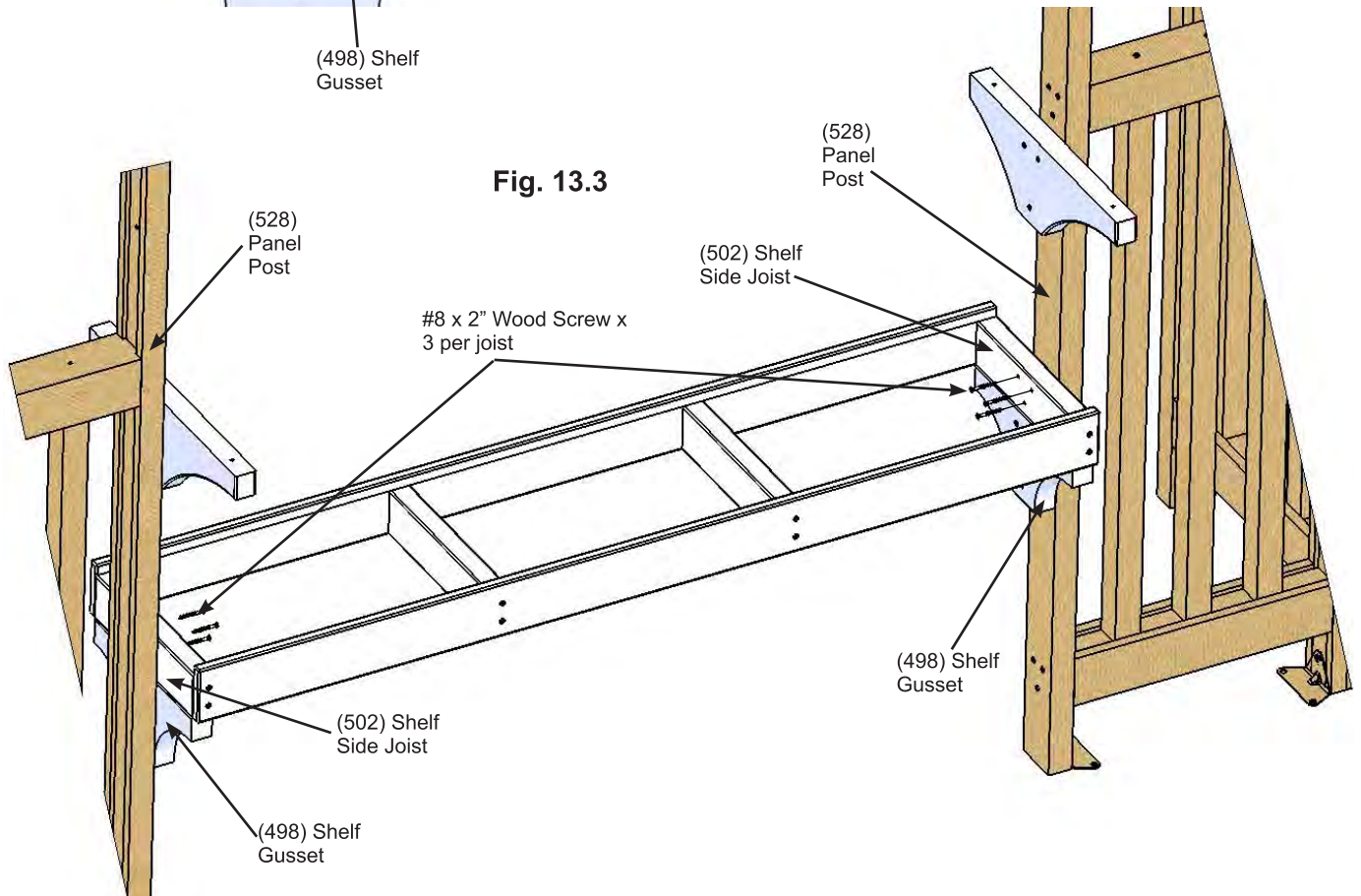


Fig. 13.3



Hardware

6 x #8 x 2" Wood Screw

Step 13: Bar Assembly - Shelf Frame Part 3

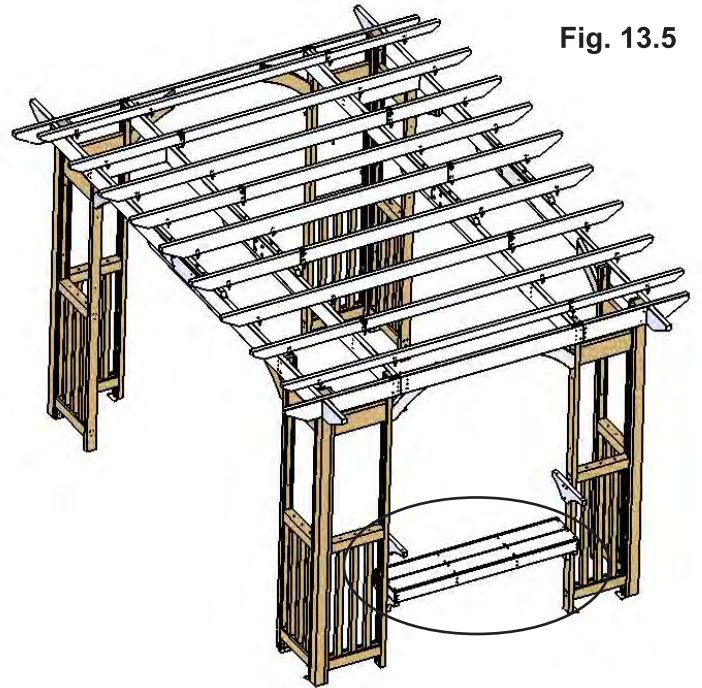


Fig. 13.5

E: Place two (503) Shelf Tops in between (501) Front Back Shelves so the ends are flush with the outside of each (502) Shelf Side Joist then attach to each (500) Shelf Joist and (502) Shelf Side Joist with eight #8 x 1-1/2" Wood Screws per board. (fig. 13.5 and 13.6)

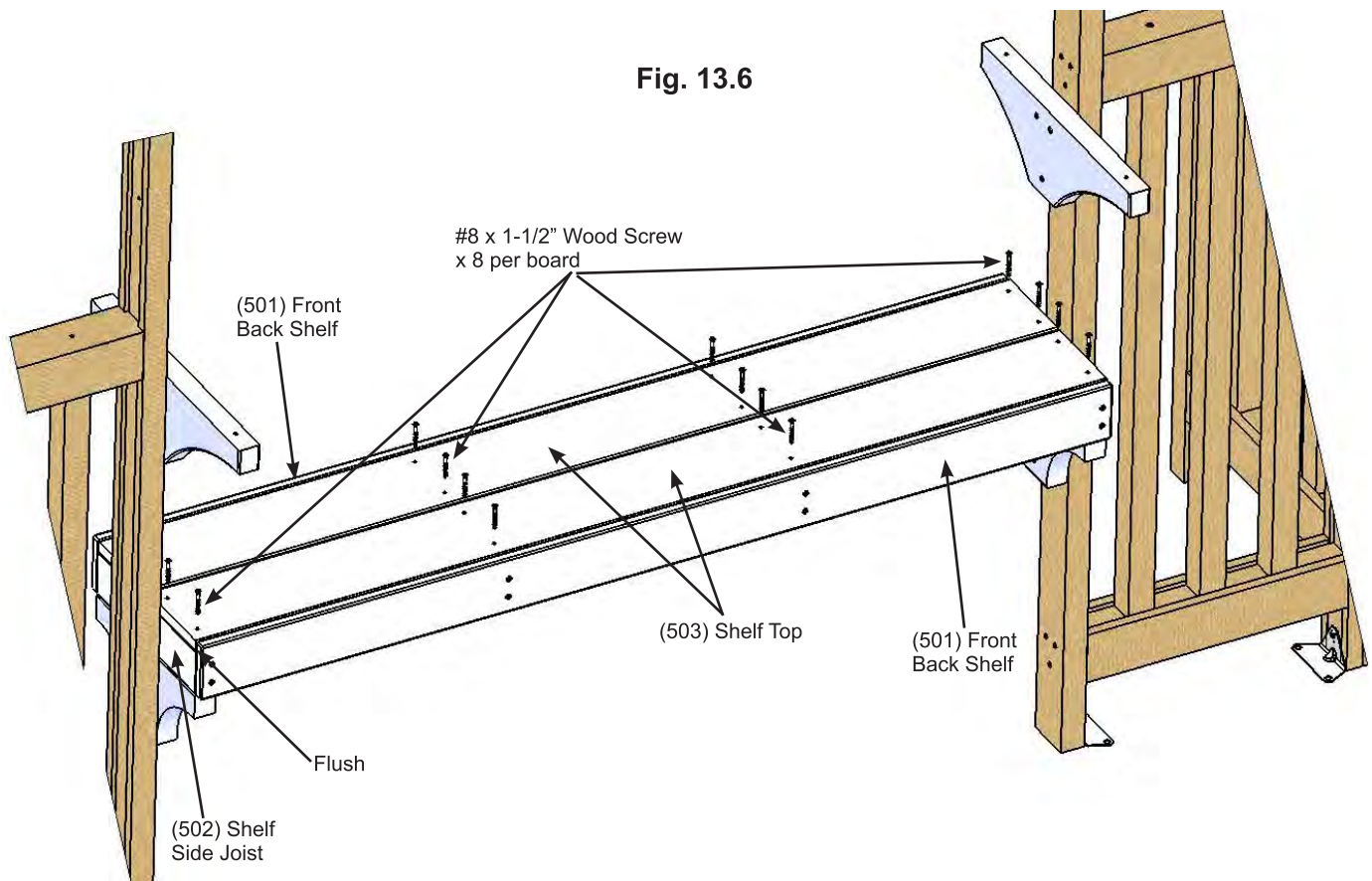


Fig. 13.6

Wood Parts

2 x (503) Shelf Top

Hardware

16 x #8 x 1-1/2" Wood Screw

Step 14: Bar Assembly - Bar Frame Part 1

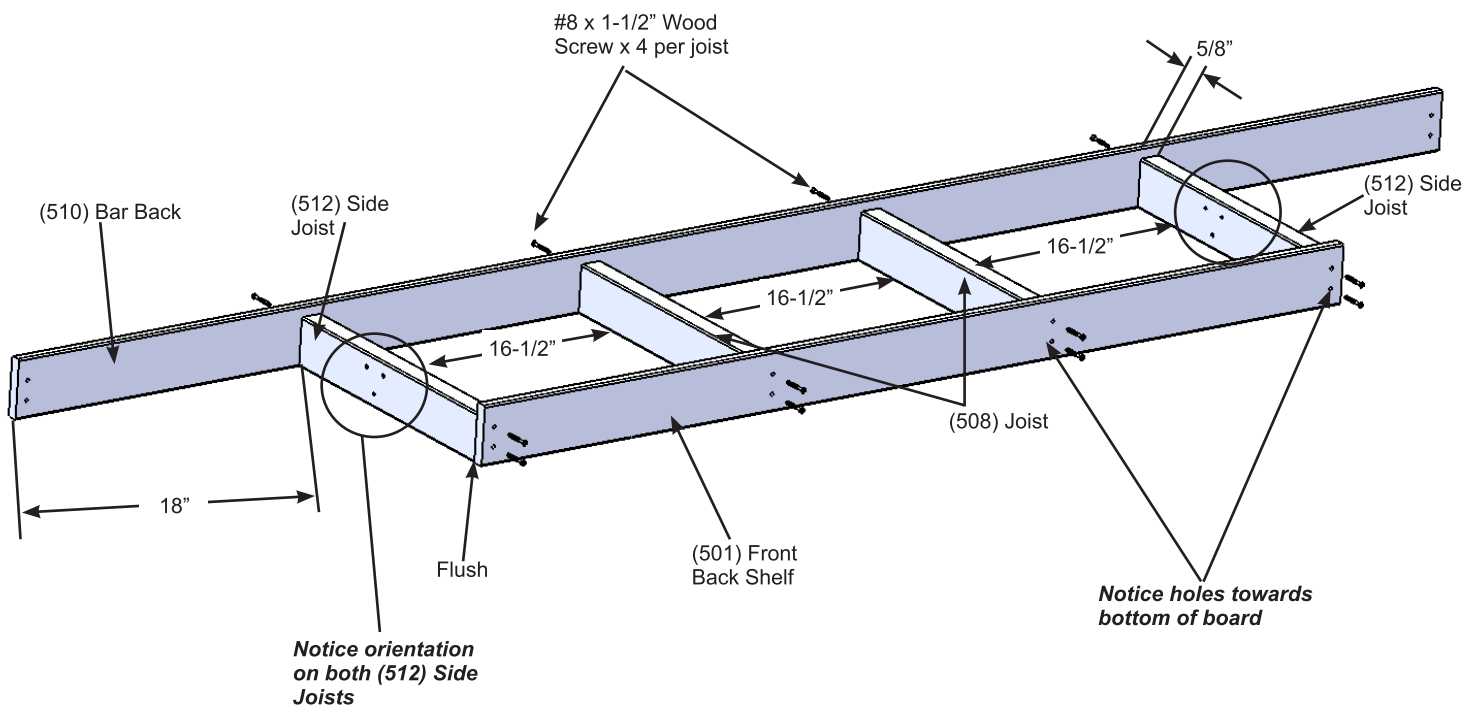


A: Flush to the ends and bottom of one (501) Front Back Shelf place one (512) Side Joist at each end and attach with two #8 x 1-1/2" Wood Screws per joist. Notice orientation of screw holes on face of boards. There will be a 5/8" overhang at the top of (501) Front Back Shelf. (fig. 14.1)

B: Place two (508) Joists centred over the pilot holes in the middle of (501) Front Back Shelf, flush to the bottom of the board, then attach with two #8 x 1-1/2" Wood Screws per joist. There will be a 5/8" overhang at the top of (501) Front Back Shelf. The distance between joist should be 16-1/2". (fig. 14.1)

C: Place one (510) Bar Back against each joist so the bottoms are flush and the distance from one (512) Side Joist to the end of (510) Bar Back is 18" then attach with two #8 x 1-1/2" Wood Screws per joist. There will be a 5/8" overhang at the top of (510) Bar Back. (fig. 14.1)

Fig. 14.1



Wood Parts

- 2 x (512) Side Joist
- 1 x (501) Front Back Shelf
- 2 x (508) Joist
- 1 x (510) Bar Back

Hardware

- 16 x #8 x 1-1/2" Wood Screw

Step 14: Bar Assembly - Bar Frame Part 2



D: Place Bar Frame on top of both (516) Bar Gussets so (510) Bar Back faces inwards and (501) Front Back Shelf faces out. (501) Front Back Shelf and (510) Bar Back overhangs the gussets by 5/8". Attach each (512) Side Joist to each (528) Panel Post with three #8 x 2" Wood Screws per joist. (fig. 14.2 and 14.3)

Fig. 14.3

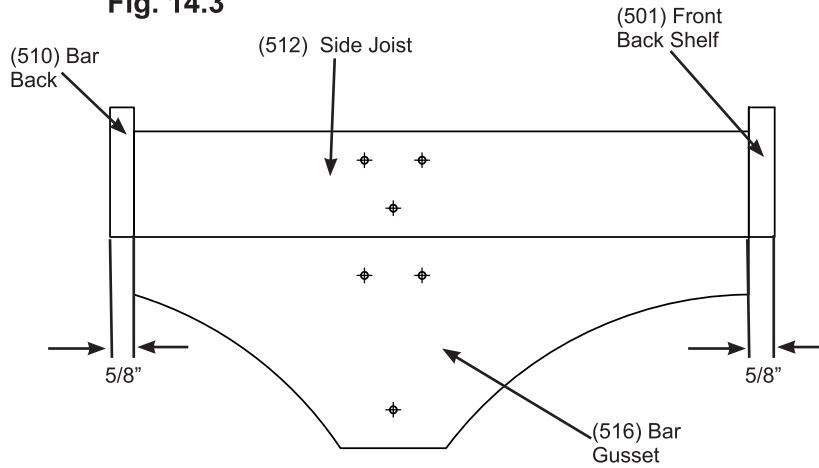
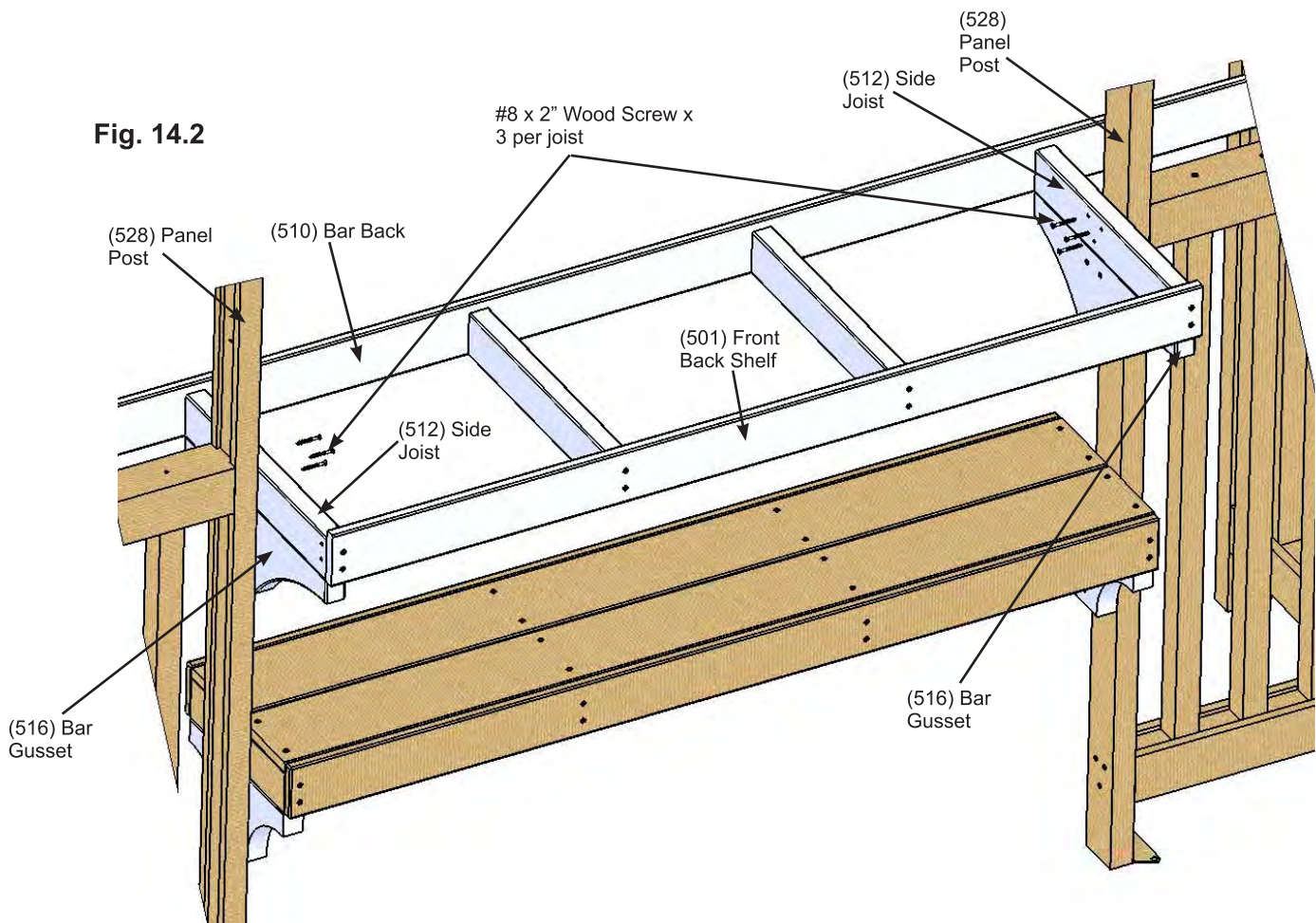


Fig. 14.2



Hardware

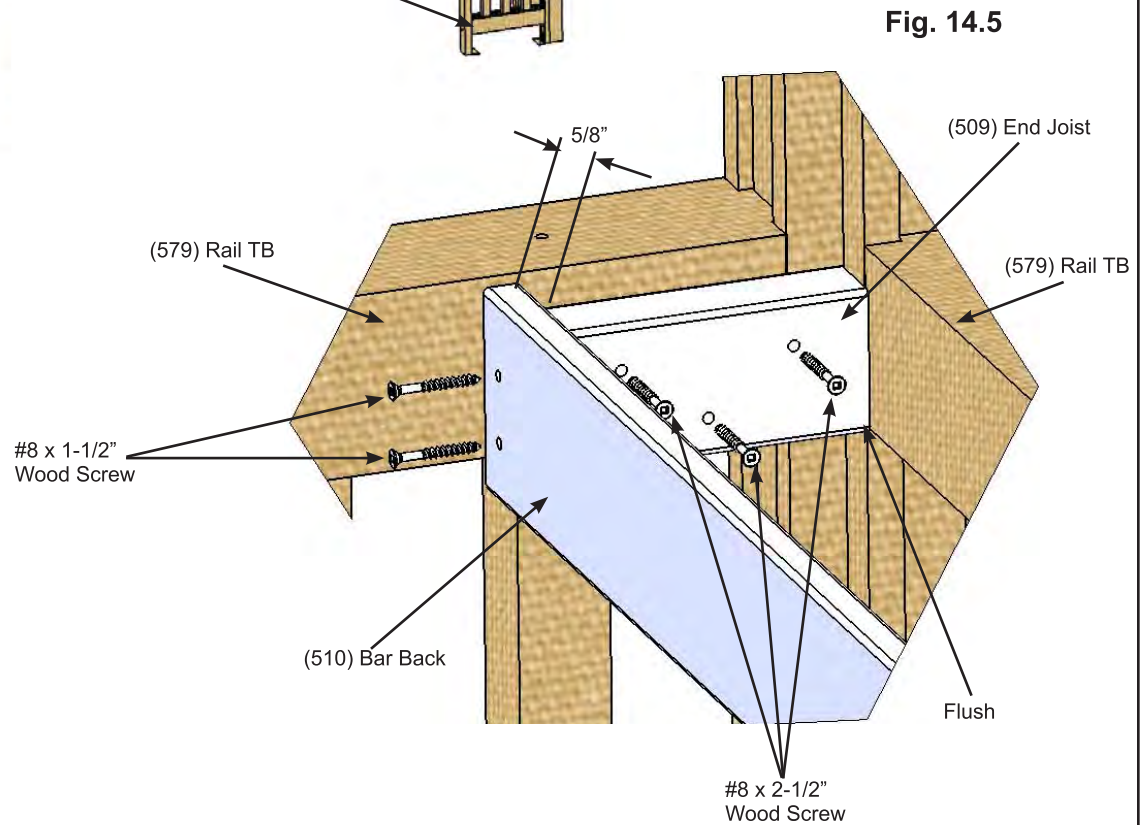
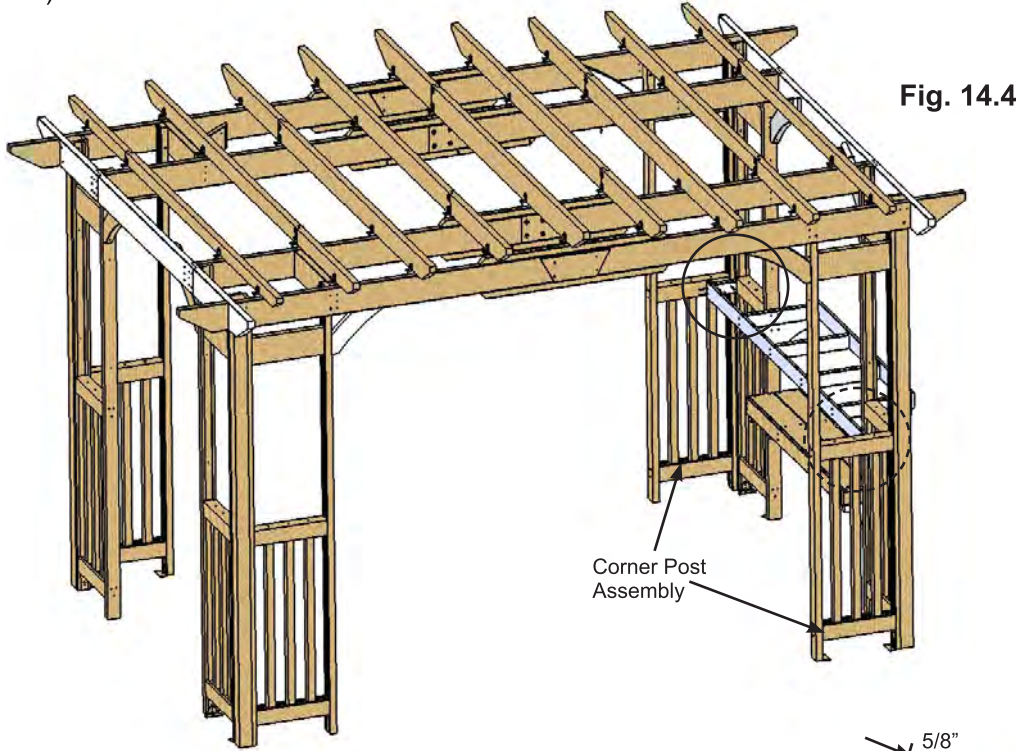
6 x #8 x 2" Wood Screw

Step 14: Bar Assembly - Bar Frame Part 3



E: Flush to the bottom of both (579) Rail T/B on one Corner Post Assembly and 5/8" down from the top of (510) Bar Back attach one (509) End Joist to (579) Rail T/B with three #8 x 2-1/2" Wood Screws. Repeat for the other end of (510) Bar Back. (fig. 14.4 and 14.5)

F: Attach (510) Bar Back to both (509) End Joists with two #8 x 1-1/2" Wood Screws per side. (fig. 14.4 and 14.5)



Wood Parts

2 x (509) End Joist

Hardware

4 x #8 x 1-1/2" Wood Screw

6 x #8 x 2-1/2" Wood Screw

Step 14: Bar Assembly - Bar Frame Part 4

G: Attach both (498) Shelf Gussets to each (502) Shelf Side Joist with two #8 x 3" Wood Screws per gusset. (fig. 14.6 and 14.7)

H: Attach both (516) Bar Gussets to each (512) Side Joist with two #8 x 3" Wood Screws per gusset. (fig. 14.6 and 14.7)

Fig. 14.6

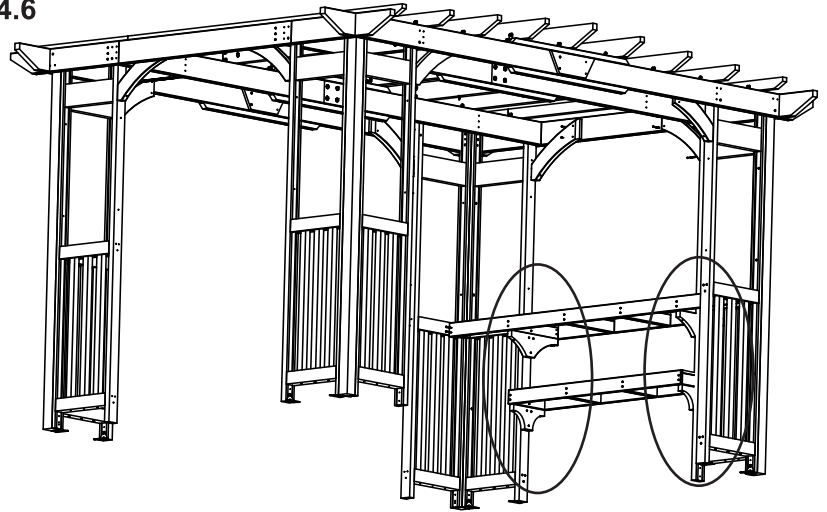
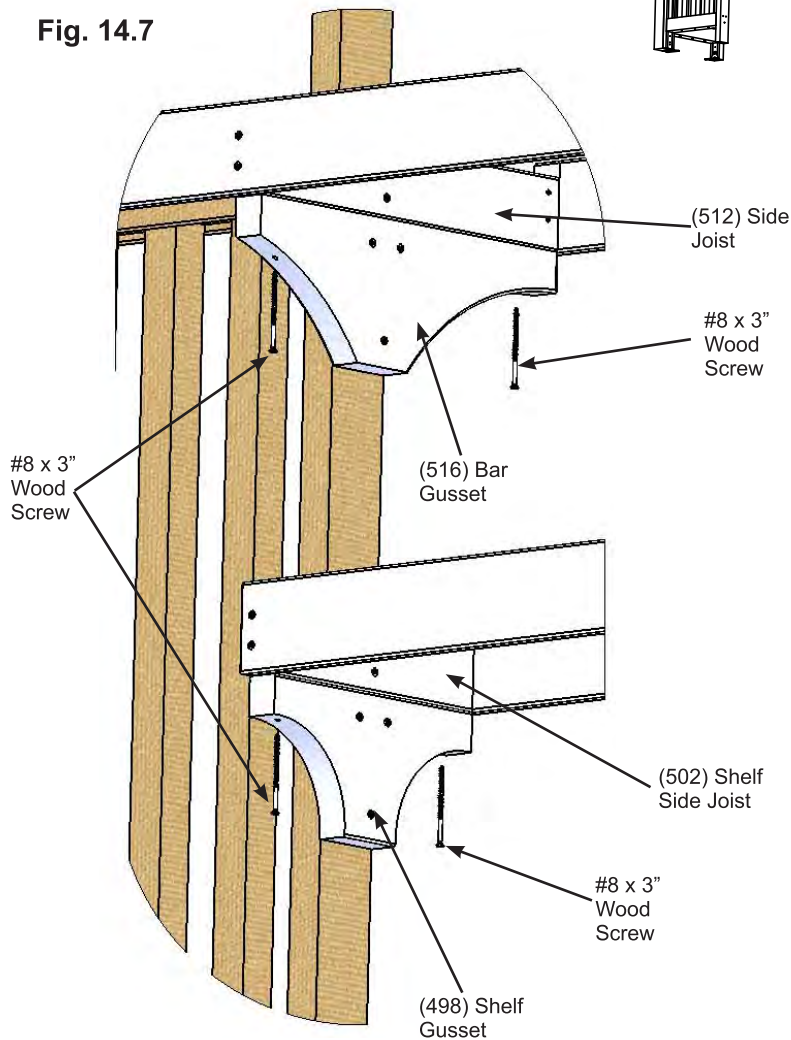


Fig. 14.7



Hardware

8 x #8 x 3" Wood Screw

Step 14: Bar Assembly - Bar Frame Part 5

I: On the left hand side of the Bar Frame place one (582) Bar Left against (190) Corner Post and (501) Front Back Shelf so the tops are flush and are tight. Attach (582) Bar Left to (190) Corner Post with two #8 x 1-1/2" Wood Screws and to (512) Side Joist with two #8 x 2-1/2" Wood Screws. (fig. 14.8 and 14.9)

J: On the right hand side of the Bar Frame place one (583) Bar Right against (190) Corner Post and (501) Front Back Shelf so the tops are flush and are tight. Attach (583) Bar Right to (190) Corner Post with two #8 x 1-1/2" Wood Screws and to (512) Side Joist with two #8 x 2-1/2" Wood Screws. (fig. 14.8 and 14.9)

Fig. 14.8

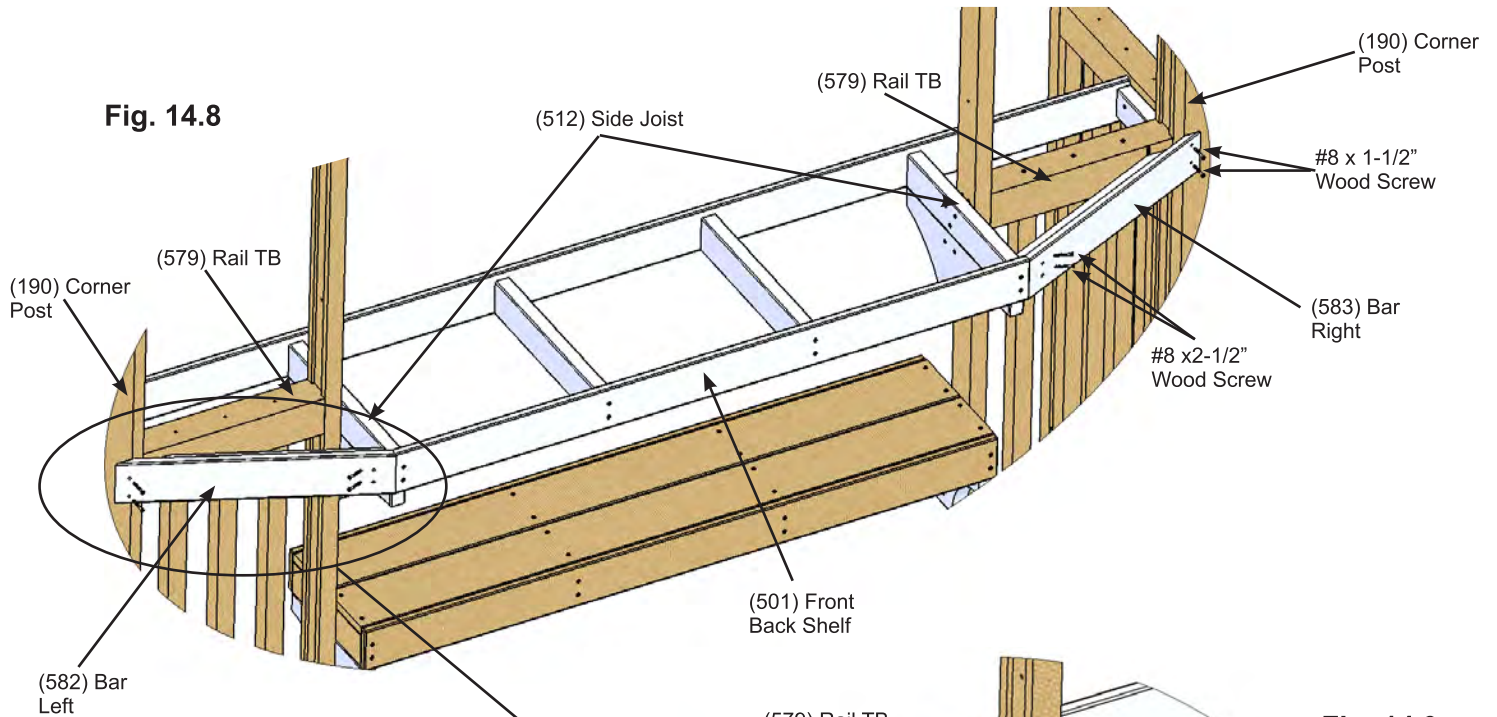
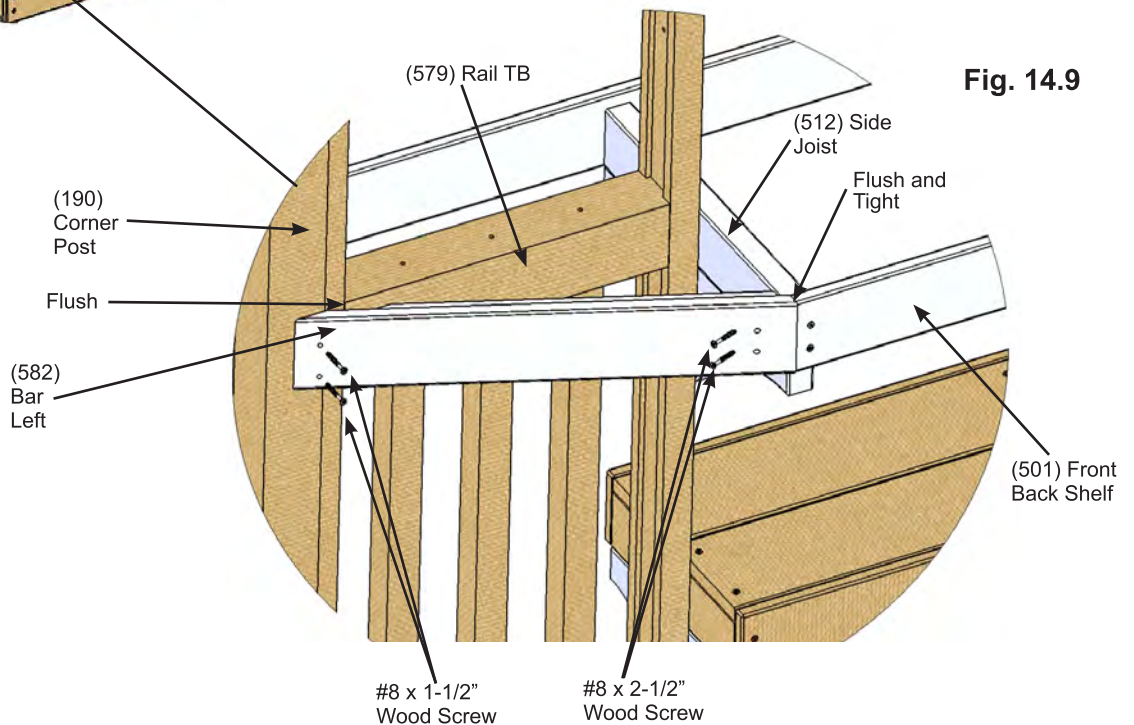


Fig. 14.9



Note: Both (582) Bar Left and (583) Bar Right to be flush to the tops of both (579) Rail TB.

Wood Parts

- 1 x (582) Bar Left
- 1 x (583) Bar Right

Hardware

- 4 x #8 x 1-1/2" Wood Screw
- 4 x #8 x 2-1/2" Wood Screw

Step 14: Bar Assembly - Bar Frame Part 6

K: Place one (515) Short Bar Top tight to (501) Front Back Shelf then follow with one (514) Mid Bar Top so the notches fit around the Corner Panel Post then lastly place one (513) Long Bar Top tight to (510) Bar Back. Attach each board to joists with twelve #8 x 1-1/2" Wood Screws per board. (fig. 14.10 and 14.11)

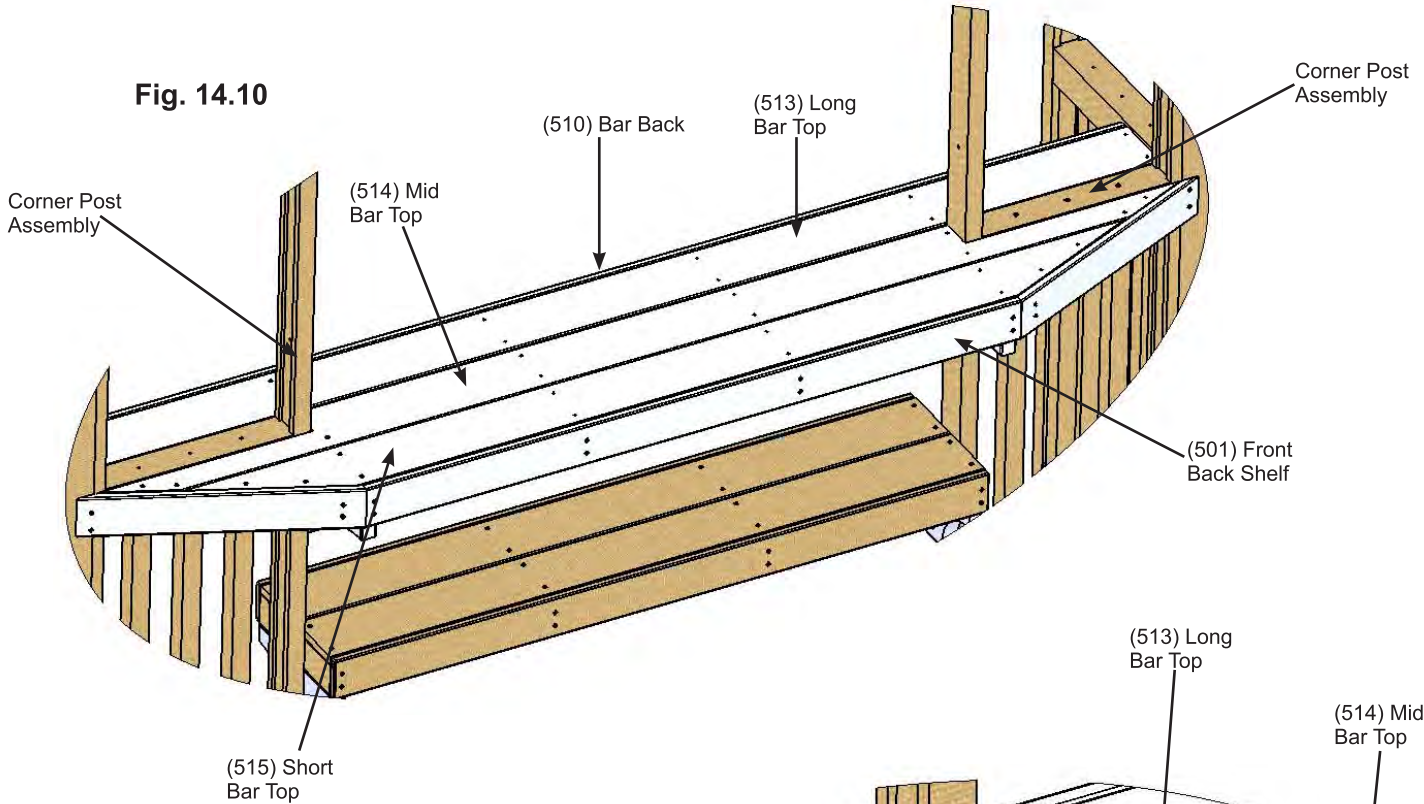
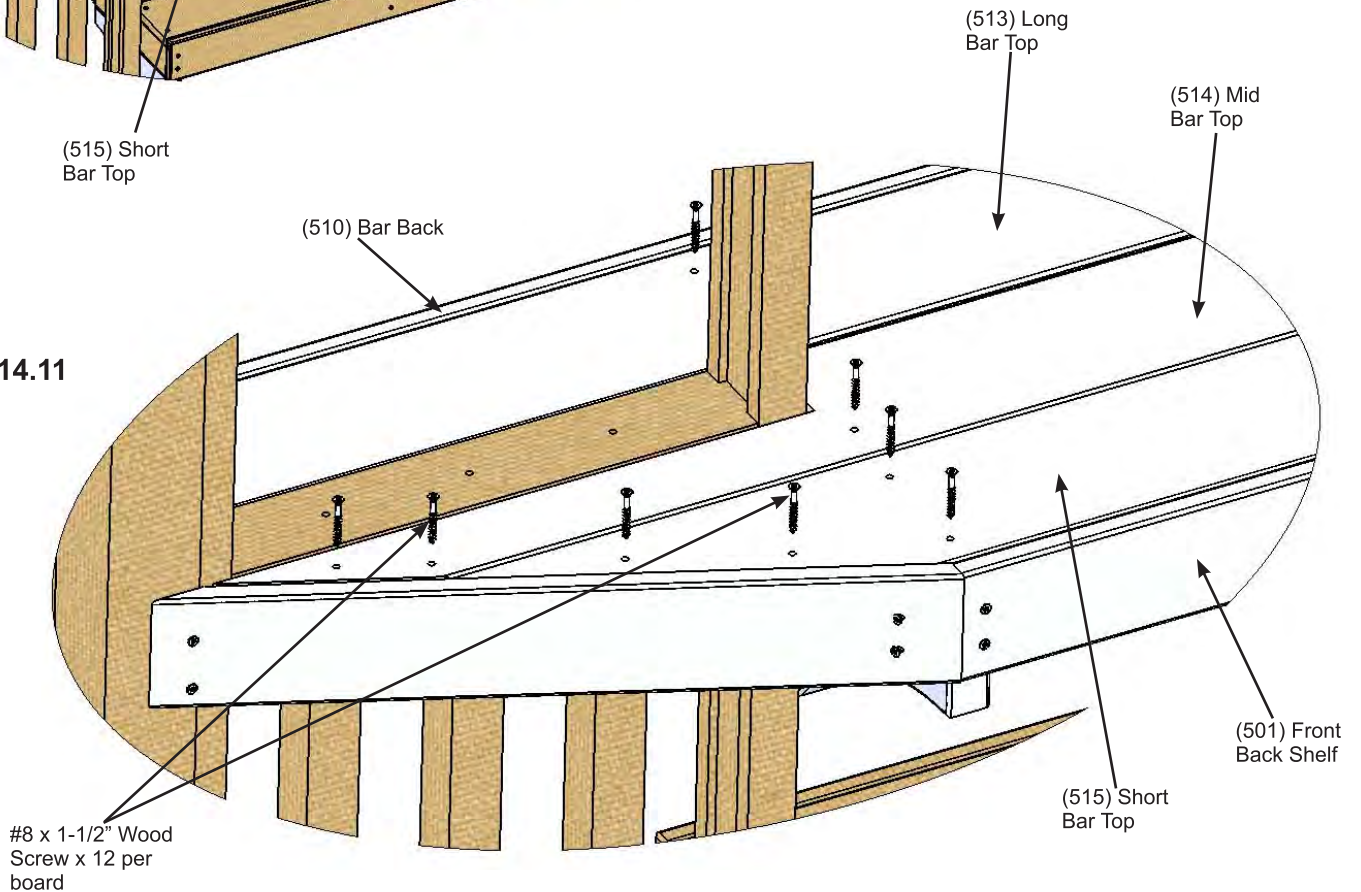


Fig. 14.11



Wood Parts

- 1 x (513) Long Bar Top
- 1 x (514) Mid Bar Top
- 1 x (515) Short Bar Top

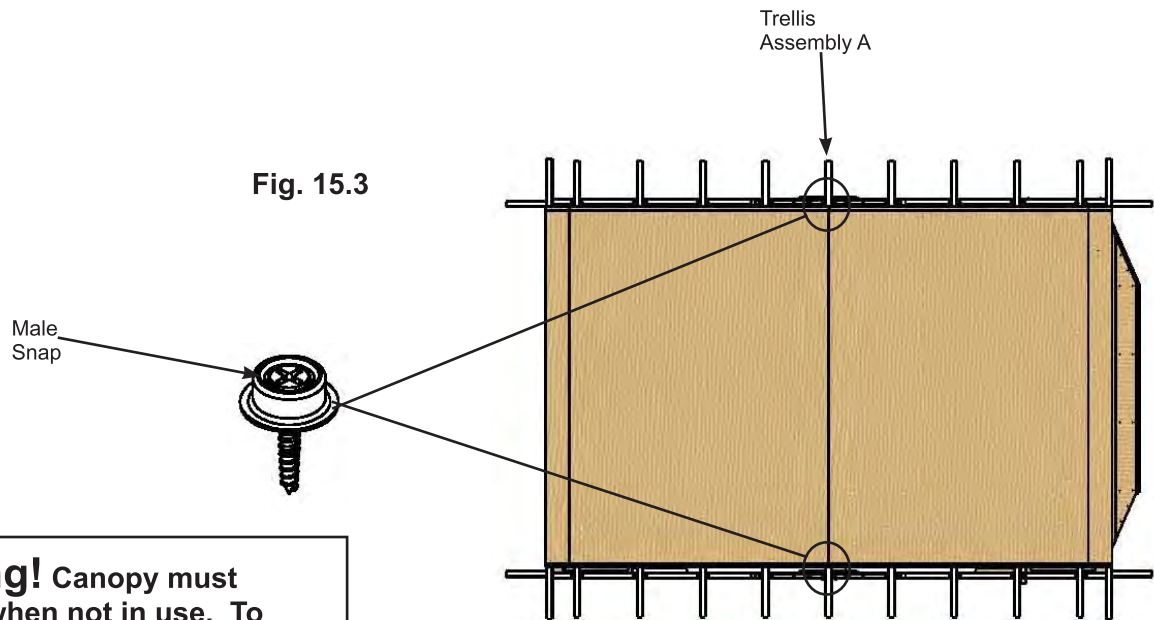
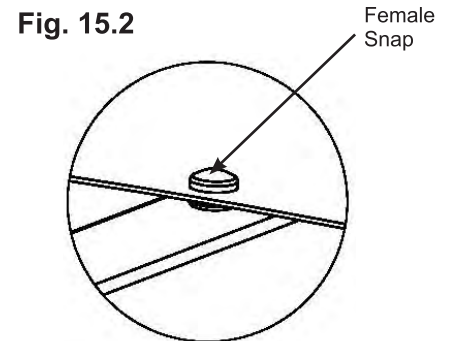
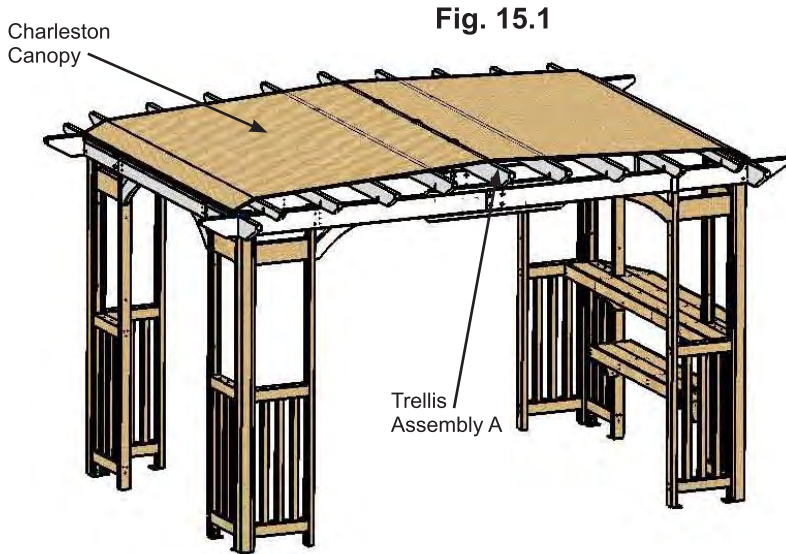
Hardware

- 36 x #8 x 1-1/2" Wood Screw

Step 15: Attach Canopy Part 1



A: Centre Charleston Canopy over the trellises, use the female snaps as a guide then screw two male snaps into each end of Trellis Assembly A. Connect male and female snaps. (fig. 15.1, 15.2, 15.3 and 15.4)



⚠ Warning! Canopy must be removed when not in use. To prevent potential collapse of support structure, **DO NOT** allow water, snow or debris to collect on top of canopy. Remove prior to heavy winds and/or snow.

Components

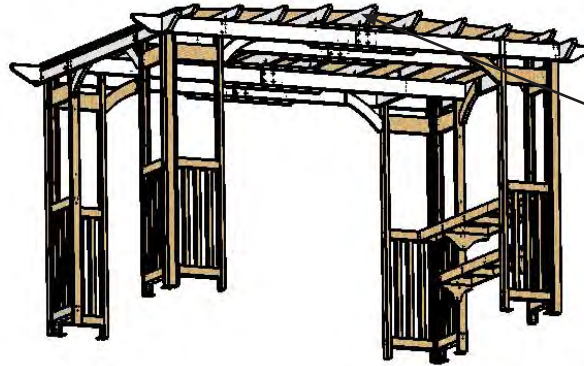
1 x Charleston Canopy (with hardware)

Step 15: Attach Canopy Part 2

B: From underneath the Charleston Canopy tie each of the three velcro straps around Trellis Assembly A. (fig. 15.4 and 15.5)

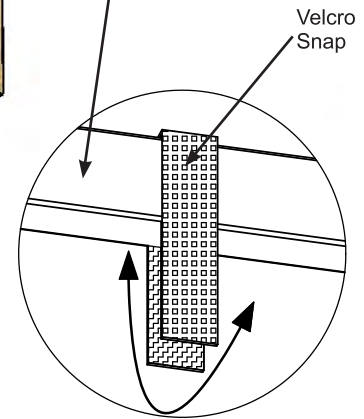
C: Pull Charleston Canopy tight along one short side using female snaps as a guide, mark location then install the male snaps along both Beam End Assemblies and (486) Beam 57-1/2. Connect male and female snaps. On the other short side repeat this step. (fig. 15.6 and 15.7)

Fig. 15.4



Trellis Assembly A

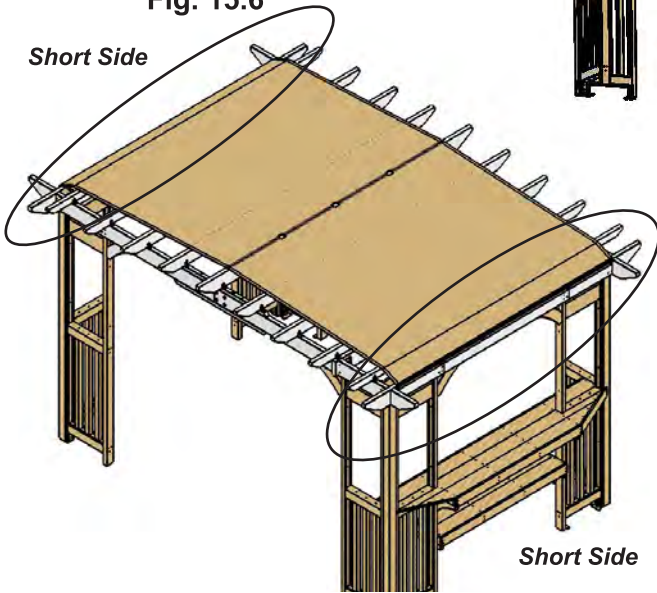
Fig. 15.5



Velcro Strap

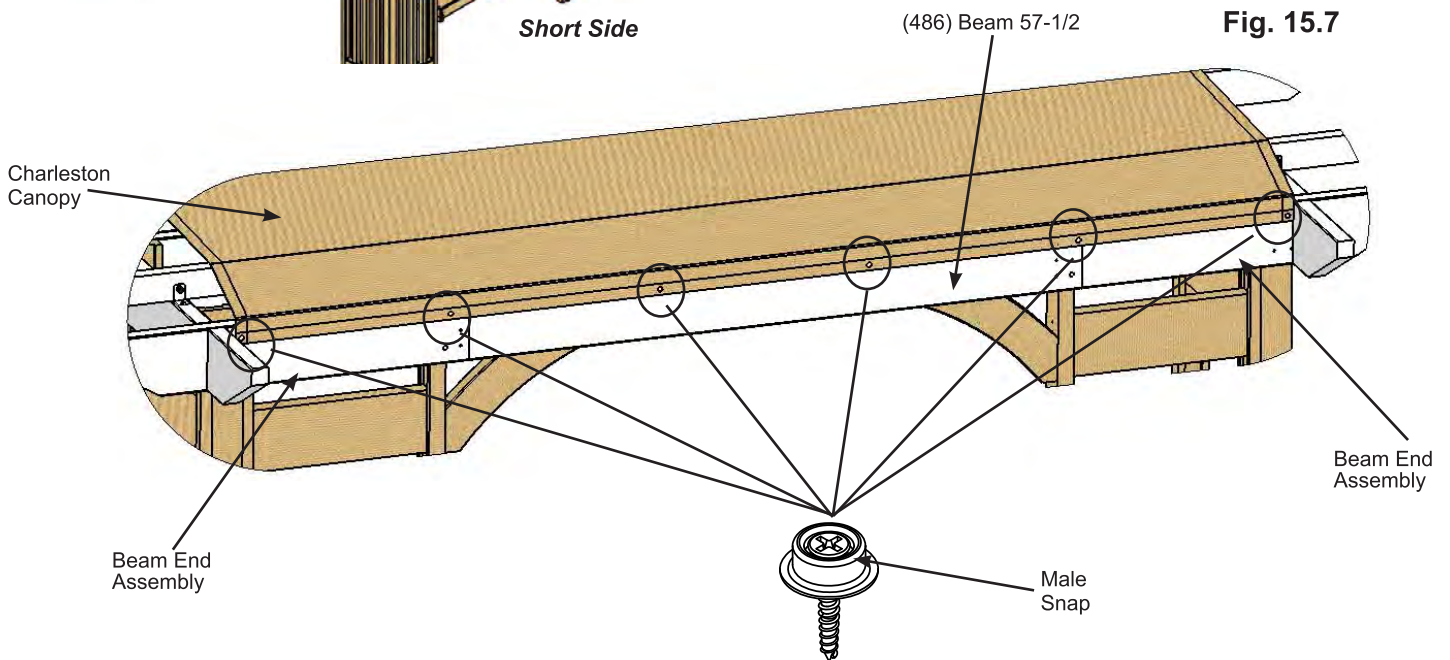
Fig. 15.6

Short Side



Short Side

Fig. 15.7



Charleston Canopy

(486) Beam 57-1/2

Beam End Assembly

Beam End Assembly

Male Snap

Step 16: Attach Plaque

A: Attach Gazebo ID Plaque to a prominent location on your Pergola with two #10 x 1-1/4" Pan Screws. This provides warnings concerning safety and important contact information. A tracking number is provided to allow you to get critical information or order replacement parts for this specific model. (fig. 16.1 and 16.2)

Fig. 16.1

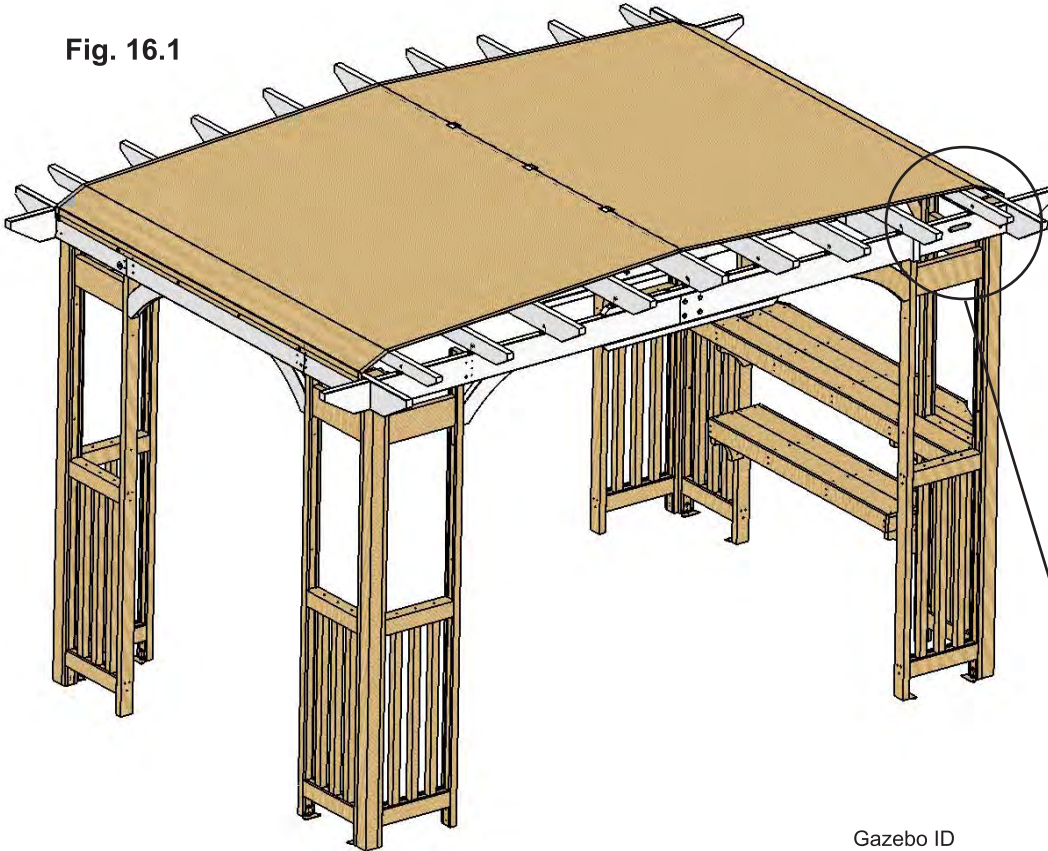
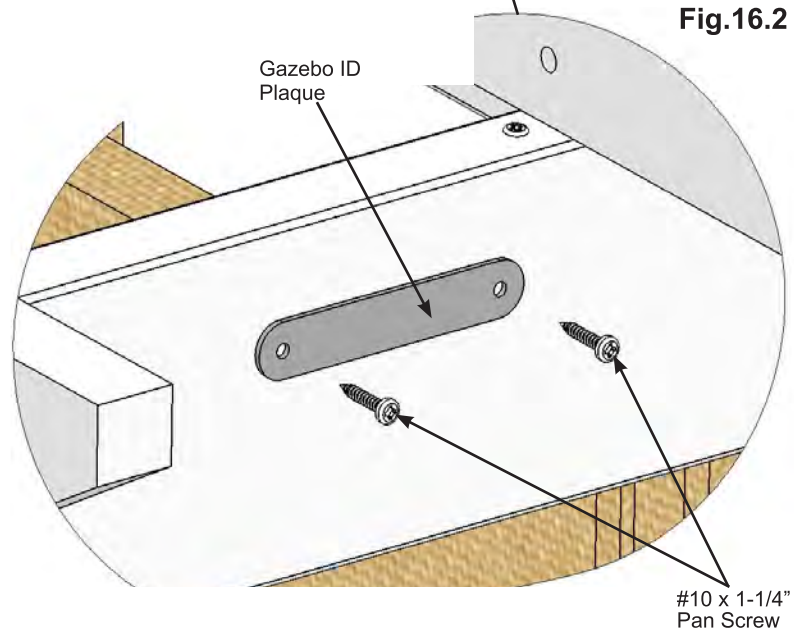


Fig.16.2



Components

1 x Gazebo ID Plaque

Hardware

2 x #10 x 1-1/4" Pan Screw



Customer Registration Card - Tarjeta de Registro del Cliente - Carte d'inscription du client

First Name - Primer Nombre - Prénom	Initial - Inicial - Initiale	Last Name - Apellido - Nom de famille

Street - Calle - Rue	PO Box - Casilla postal - Boîte postale	Apt. No. - App.

City - Ciudad - Ville	State/Province - Estado/Provincia - État/Province

ZIP/Postal Code - Código Postal - ZIP/Code postal	Country - País - Pays

E-mail Address - Dirección de E-mail - Adresse courriel	Telephone Number - No. de Teléfono - N° de téléphone

Model Name - Nombre del Modelo - Nom du modèle	Model Number (from front cover) - Número de Modelo (de la portada) - N° du modèle (page de couverture)

Date of Purchase - Fecha de Compra - Date d'achat (mm/dd/yyyy) (mm/dd/aaaa) (mm/jj/aaaa)	Place of Purchase - Comprado a - Lieu d'achat

Comments - Comentarios - Commentaires:

Mail To - Enviar por Correo a - Envoyer par courrier à:

Yardistry
375 Sligo Road West, PO Box 10
Mount Forest, Ontario, Canada, N0G 2L0
Attention: Consumer Relations
Atención a: Servicio de Atención al Cliente
À l'attention de: Service à la clientèle

Online Registration - Registro online - Enregistrement en ligne:

<http://yardistrystructures.com/warranty.php>

Yardistry would like to say "Thank you" for your time and feedback.

Yardistry quiere "Agradecerle" por su tiempo y su opinión.

Yardistry aimerait vous remercier d'avoir pris le temps de répondre au sondage.