



RNG-50MB-ME

Premium 50W Monocrystalline Solar Panel with Kickstand

Key Features

Premium design and black frame, this Renogy 50 Watt Monocrystalline Panel provides Renogy's most efficient solar cell with kickstand for on the go applications.

- High module conversion efficiency
- Premium Black Anodized Aluminum Frame
- Fast Setup with Kickstand
- 100% EL testing on all Renogy modules
- No hot spots guaranteed

Potential Uses

The Renogy 50 Watt Monocrystalline Panel can be used in various off-grid applications, outdoor applications, water pumping systems, signaling systems and other off-grid applications.



RNG-50MB-ME

Premium 50W Monocrystalline Solar Panel with Kickstand

Electrical Data

Maximum Power at STC*	50 W
Optimum Operating Voltage (V_{mp})	18.3 V
Optimum Operating Current (I_{mp})	2.73 A
Open Circuit Voltage (V_{oc})	22.4 V
Short Circuit Voltage (I_{sc})	2.96 A
Module Efficiency	21.0%
Maximum System Voltage	600 VDC UL
Maximum Series Fuse Rating	15 A

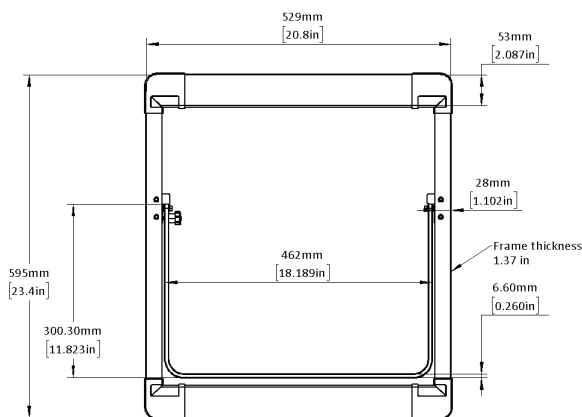
Thermal Characteristics

Operating Module Temperature	-40°C to +90°C
Nominal Operating Cell Temperature (NOCT)	47±2°C
Temperature Coefficient of Pmax	-0.38%/°C
Temperature Coefficient of Voc	-0.28%/°C
Temperature Coefficient of Isc	0.06%/°C

Junction Box

IP Rating	IP 65
Diode Type	HY 10SQ050
Number of Diodes	2 Diode(s)
Output Cables	12 AWG (1.12 ft long)

Module Diagram



Mechanical Data

Solar Cell Type	Monocrystalline (4.92 x 2.46 in)
Number of Cells	32 (4 x 8)
Dimensions	23.4 x 20.8 x 1.37 in (595 x 529 x 35 mm)
Weight	12.3 lbs (5.6 kg)
Front Glass	Tempered Glass 0.13 in (3.2 mm)
Frame	Black Anodized Aluminium Alloy
Connectors	MC4 Connectors
Fire Rating	Class C

MC4 Connectors

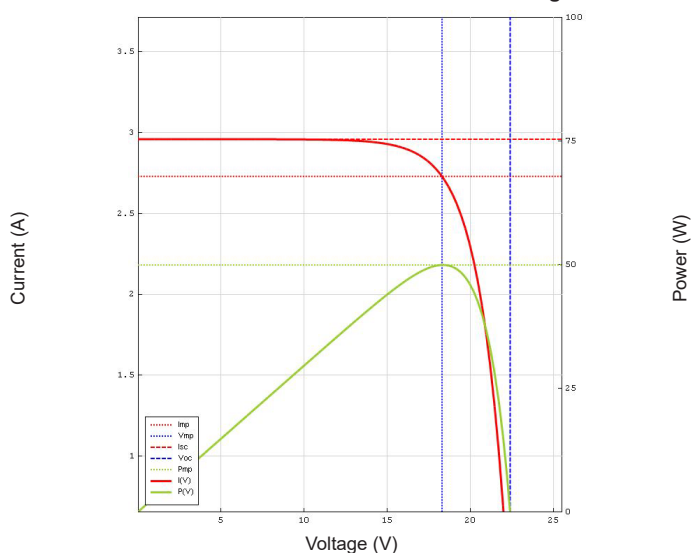
Rated Current	30A
Maximum Voltage	1000VDC
Maximum AWG Size Range	10 AWG
Temperature Range	-40°F to 194°F
IP Rating	IP 67

Certifications



IV-Curve

RNG-50MB-ME Characteristics Versus Voltage



*All specifications and data described in this data sheet are tested under Standard Test Conditions (STC - Irradiance: 1000W/m², Temperature: 25°C, Air Mass: 1.5) and may deviate marginally from actual values. Renogy and any of its affiliates has reserved the right to make any modifications to the information on this data sheet without notice. It is our goal to supply our customers with the most recent information regarding our products. These data sheets can be found in the downloads section of our website, www.renogy.com