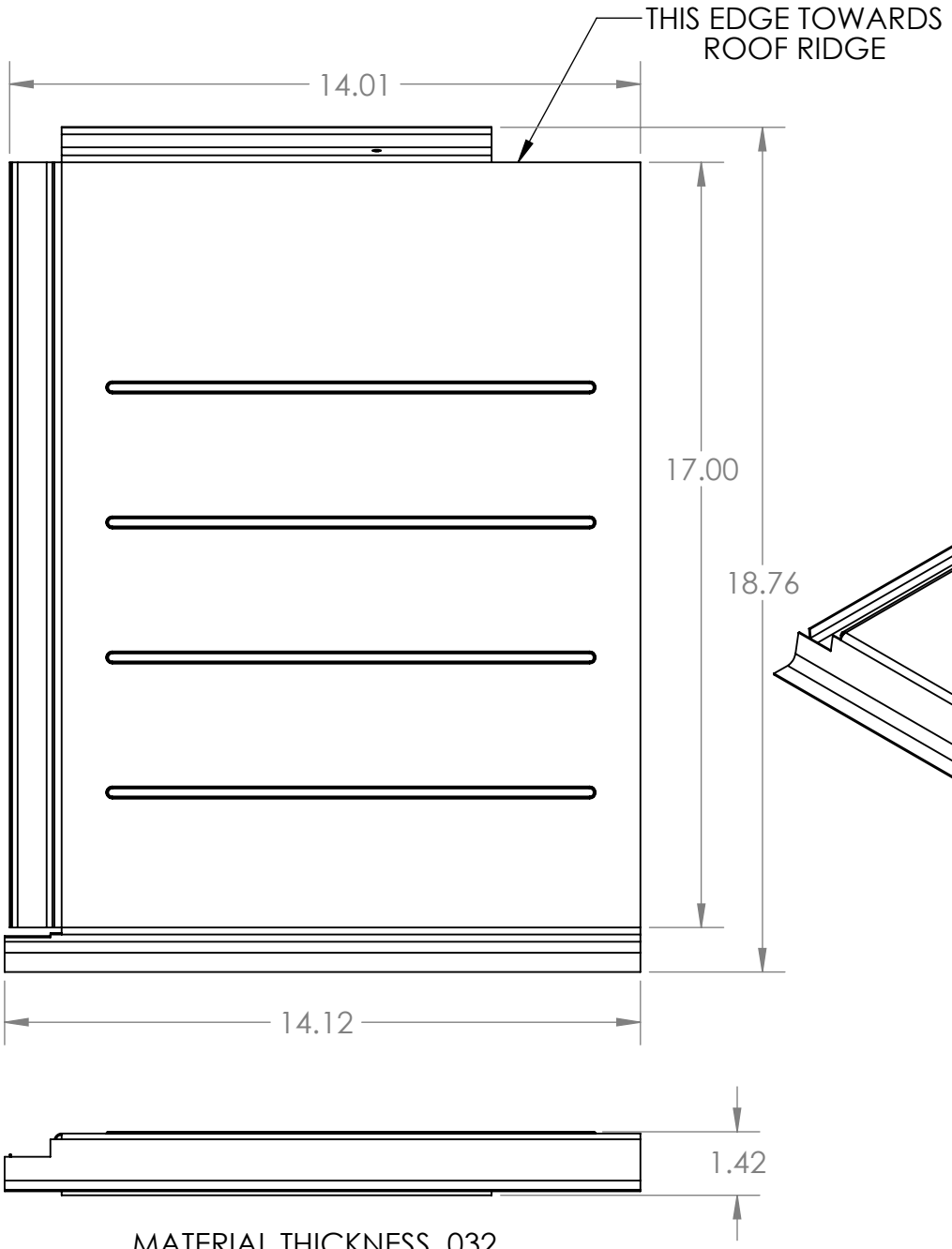
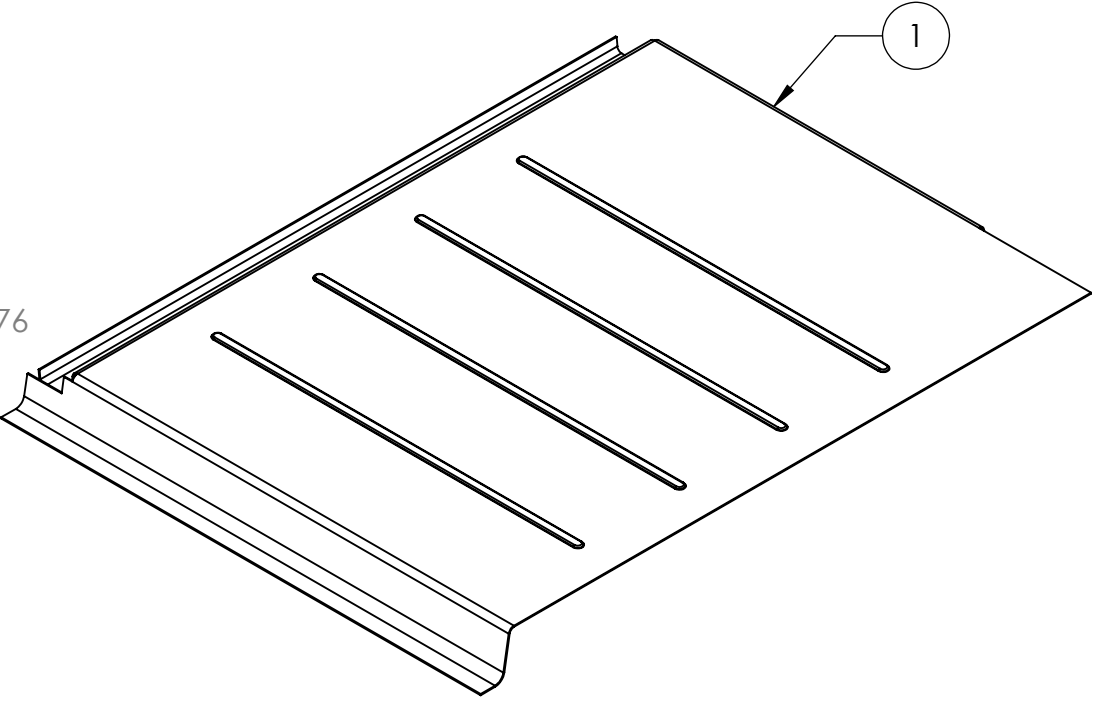


ITEM NO.	DESCRIPTION	QTY.
1	FLASHING, REPLACEMENT TILE, FLAT, ALUMINUM, MILL	1



AVAILABLE IN MILL AND BLACK FINISHES



**Quick Mount PV<sup>®</sup>**

TITLE: QMC-TRF-F: FLASHING, TILE REPLACEMENT, FLAT TILE, COMPONENT

UNLESS OTHERWISE SPECIFIED: DIMENSIONS ARE IN INCHES TOLERANCES: FRACTIONAL ± 1/8 TWO PLACE DECIMAL ±.19 THREE PLACE DECIMAL ±.094	SIZE <b>A</b>	DRAWN BY:	REV <b>1</b>
	SCALE: 1:4	DATE: 6/9/2017	WEIGHT: 0.93
		SHEET 1 OF 1	

PROPRIETARY AND CONFIDENTIAL  
THE INFORMATION CONTAINED IN THIS DRAWING IS THE SOLE PROPERTY OF QUICK MOUNT PV. ANY REPRODUCTION IN PART OR AS A WHOLE WITHOUT THE WRITTEN PERMISSION OF QUICK MOUNT PV IS PROHIBITED. COPYRIGHT © 2016 QUICK MOUNT PV

DO NOT SCALE DRAWING