

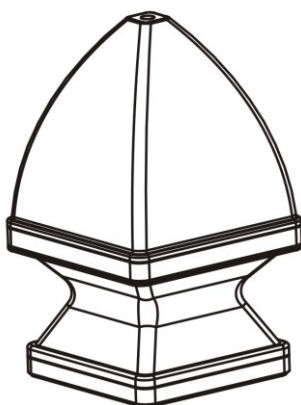
GAMA SONIC®

SOLAR LIGHTING

GOTHIC SOLAR POST CAP LIGHT

Instruction Manual

Model: GS-143



Introduction

Thank you for your purchase! **GAMA SONIC®** solar accent lighting is a wonderful addition to any outdoor space. **GAMA SONIC®** solar lights are brighter and last through the night with a full solar charge. The unique designs, superior light output and various installation options provide the outstanding value of our product. **GAMA SONIC®** has been recognized as a worldwide leader in the lighting industry for over 20 years.

Technical Assistance/Warranty Claims/Replacement Parts

Toll Free Number: **+1-800-835-4113** (only within the US),

Email: support@gamasonic.com, or

Visit our website to download the latest version of your instruction manual:

www.gamasonic.com or www.gamasonic.com/user-guides

Please read the instruction manual carefully to obtain the best results from your purchase.

Solar Light Location

For optimum light duration throughout the night, it is very important to mount your solar light in a spot where it will receive the maximum amount of direct sunlight throughout the day. The optimum performance, allow for 2 days of full sun to charge.

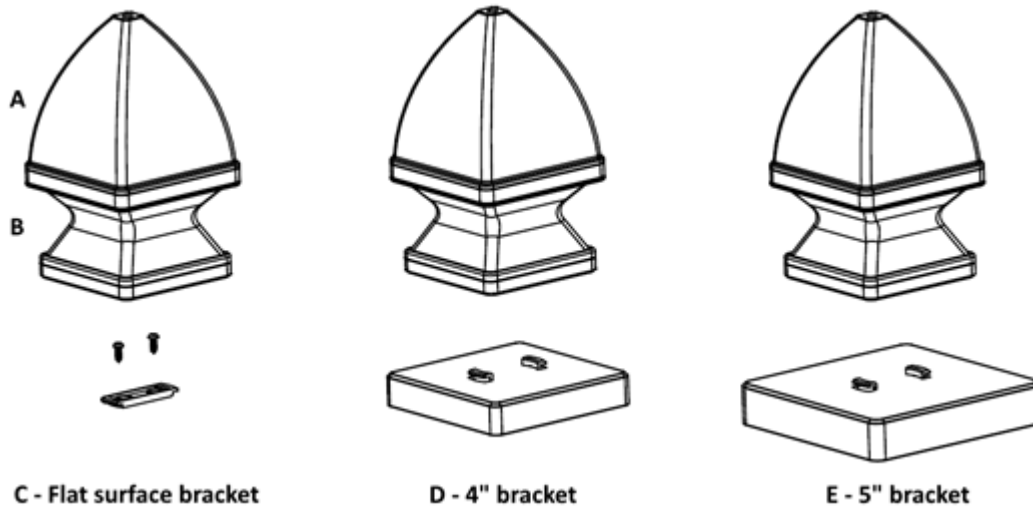


Fig. 1

Operation Instructions (Fig. 2 and Fig. 3)

1. Remove Part A from Part B by holding Part B in your hand and turning Part A counterclockwise.
2. Turn the operation switch to the LOW or HIGH position according to your preferences:
 - a. (Low) For softer light and longer duration.
 - b. (High) For brighter light output.
3. Choose between Warm White (WARM) or Bright White (COOL) color output.

NOTE: The solar light will automatically operate at dusk.

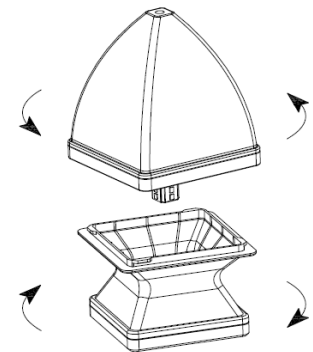


Fig. 2

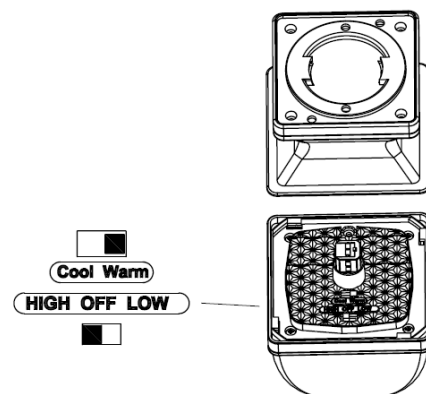


Fig. 3

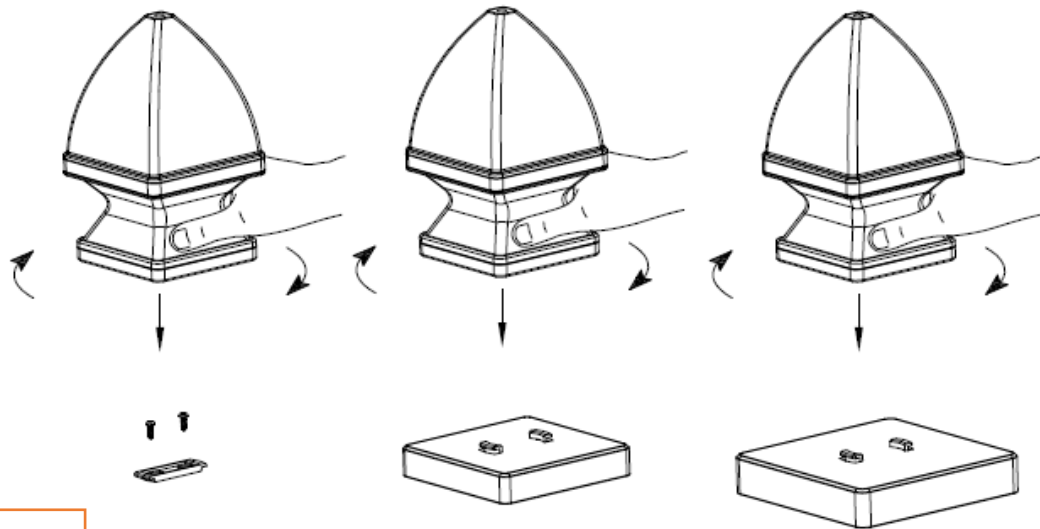


Fig. 4

Assembly Instructions (Fig. 4)

You can install the light using the Flat mount (Part C) or using the 4"/5" caps (Part D or E – sold separately)

Installing the Flat Mount:

1. Locate the center of your surface and place the flat mount (Part C) allowing the locking wings to engage the post cap base.
2. Attached it using the 2 screws provided.

Installing the 4" or 5" cap:

1. Attached the 4" or 5" cap (Part D or E) to your post according to the post manufacturer instructions.

Installing the light:

Place the light on top of bracket (Part C, D or E) and turn it clockwise until you hear the locking click.

Replacing the Batteries (Fig. 5)

After several years of use, the batteries may need replacing.

1. Remove the light from the post bracket by turning it counterclockwise.
2. Separate Part A from Part B by holding Part B in one hand and turning clockwise Part A with the other.
3. Unscrew the battery compartment's door and remove the compartment door.
4. Unclip the battery connectors and remove the old battery. Make sure the new battery is a high quality – Li-Ion Battery pack (3.2 Volt / 1500 mAh) with matching connector.
5. Install the new battery into the battery compartment.
6. Re-Install the battery compartment cover, connect back Part A to Part B and attached to the post bracket.

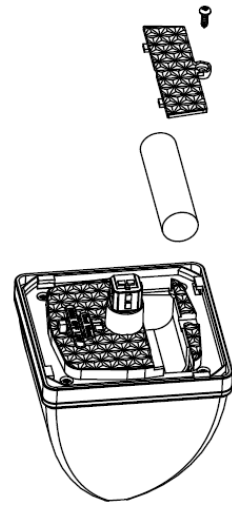


Fig. 5

**** Gama Sonic batteries are available at www.gamasonic.com**

You can purchase it directly at:

<https://gamasonic.com/product-category/parts-and-accessories/>

Maintenance

Clean the solar panels regularly with a damp towel to guarantee optimum performance. Do not use any type of solvent for cleaning and be careful not to put too much pressure on the solar panels while cleaning.

Trouble Shooting

If your solar charged light does not come on at dusk despite observance of all the instructions, please try the following steps:

1. Make sure the solar light is not being affected by any other light source.
2. Ensure the solar light is not positioned in the shade during the day.
3. Check that the batteries are installed correctly.

NOTE: The performance of the solar light will vary with the time of year. It will last longer when it has had a full day in the sun rather than a day in overcast weather.

WINTERTIME TIPS: For optimal performance, be sure to remove any snow or debris accumulation from solar panel(s). A solar panel free of debris will charge the batteries much more efficiently.

WARNING: Please keep out of reach of children. Do not dispose of Li-Ion battery in the regular trash, municipal waste stream or by fire as batteries may leak or explode. Do not open, short circuit, or mutilate batteries as injury may occur. Preserve our environment by recycling Li-Ion batteries or disposing of them in accordance with local, State and federal regulations. Do not mix old and new batteries.

