

Discover Wall Mount Bracket for AES LiFePO₄ Battery (42-48-6650)

The Discover Wall Mount Bracket securely mounts the AES LiFePO₄ Battery to the wall in a repeatable standard installation that will save installers time and money.

BENEFITS AND FEATURES

Compatibility

Securely mounts a single Discover AES LiFePO₄ Battery p/n 42-48-6650 to a wall.

Mount Directly to Wall Studs

Features pre-drilled holes for mounting to 16 inch (40 cm) to center wall studs. Additional mounting holes are provided to allow for other mounting options.

Fast Layout Planning and Quick Installation

The standard interlocking shape of the bracket allows for the easy planning for a variety of multi-battery layouts and quick installation.

Secure a Heavy Battery

The Wall Mount Bracket secures to the wall first allowing the heavy battery to be hung on the bracket flange while bolts are tightened to secure the battery permanently.

Precisely Pre-Cut Battery Cables

Orient battery posts at standard intervals allowing for the precise planning, pre-cutting and crimping of battery cables and a fast neat and clean battery cable installation.

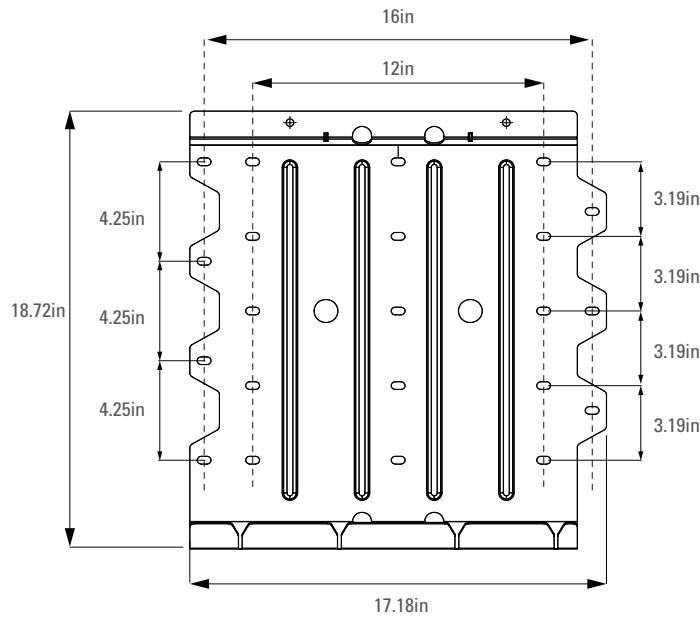
Hide Communication Cables

The Wall Mount Bracket offsets the battery away from the wall allowing communication cables to be hidden behind the battery.

GENERAL SPECIFICATIONS

Part Number	950-0018
Net Weight	7.0 lbs / 3.2 kg
Shipping Weight	8.4 lbs / 3.8 kg
Dimensions (H x W x D)	18.72 x 17.18 x 0.125 in / 475 x 436 x 3 mm
Shipping Dimensions (H x W x D)	19.5 x 17.5 x 3.0 in / 495 x 444 x 76 mm

Specifications subject to change without notice.



WALL MOUNT BRACKET COMPATIBILITY

Discover AES LiFePO₄ Battery:
42-48-6650