

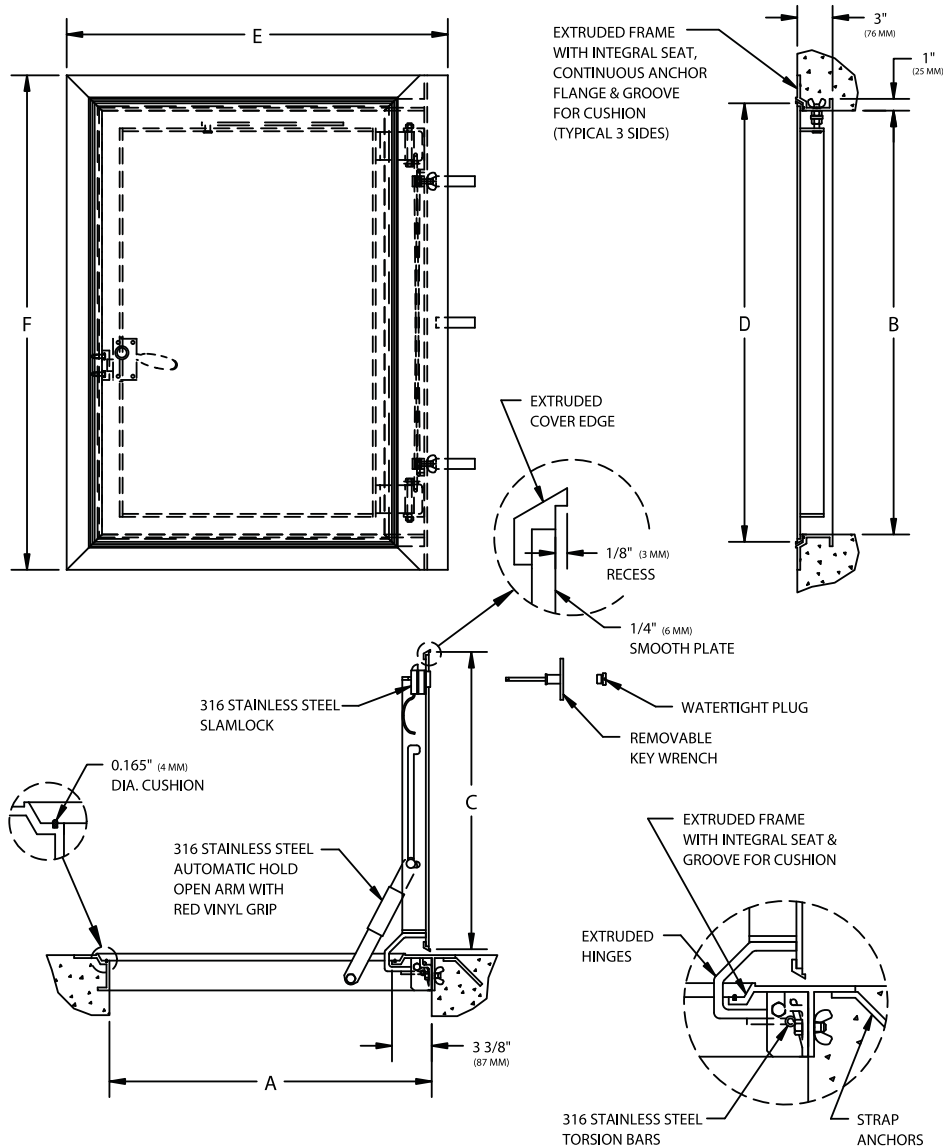


www.acudor.com
 U.S.A.: info@acudor.com / 800.722.0501
 CANADA: info@acudor.ca / 844.228.3671
 INTERNATIONAL: info@acudorintl.com
 905.428.2240

FT-8040

1/8" RECESSED FOR VINYL TILE/ CARPET - SINGLE LEAF

NOMINAL DOOR SIZE	FRAME OPENING		CLEAR OPENING		OVERALL SIZE		WEIGHT
	A in. (mm)	B in. (mm)	C in. (mm)	D in. (mm)	E in. (mm)	F in. (mm)	
24 x 24 (610 x 610)	26-1/8 (664)	22-3/4 (578)	24 (610)	24 (610)	31-1/8 (791)	28-3/4 (730)	45 (21)
24 x 30 (610 x 762)	26-1/8 (664)	28-3/4 (730)	24 (610)	30 (762)	31-1/8 (791)	34-3/4 (883)	55 (25)
24 x 36 (610 x 914)	26-1/8 (664)	34-3/4 (883)	24 (610)	36 (914)	31-1/8 (791)	40-3/4 (1035)	60 (27)
30 x 30 (762 x 762)	32-1/8 (816)	28-3/4 (730)	30 (762)	30 (762)	37-1/8 (943)	34-3/4 (883)	60 (27)
30 x 36 (762 x 914)	32-1/8 (816)	34-3/4 (883)	30 (762)	36 (914)	37-1/8 (943)	40-3/4 (1035)	70 (32)
36 x 36 (914 x 914)	38-1/8 (968)	34-3/4 (883)	36 (914)	36 (914)	43-1/8 (1095)	40-3/4 (1035)	75 (34)
42 x 42 (1067 x 1067)	44-1/8 (1121)	40-3/4 (1035)	42 (1067)	42 (1067)	49-1/8 (1248)	46-3/4 (1187)	100 (45)



JOB NAME:
 CUSTOMER:

APPROVED BY:
 DATE:

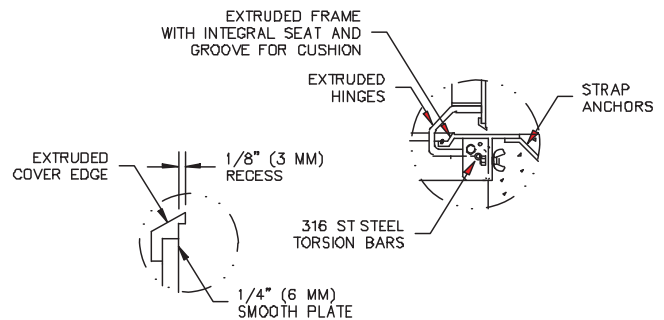
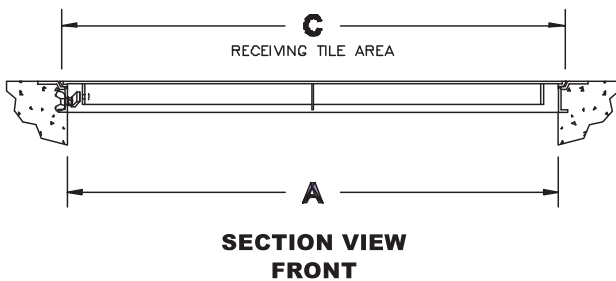
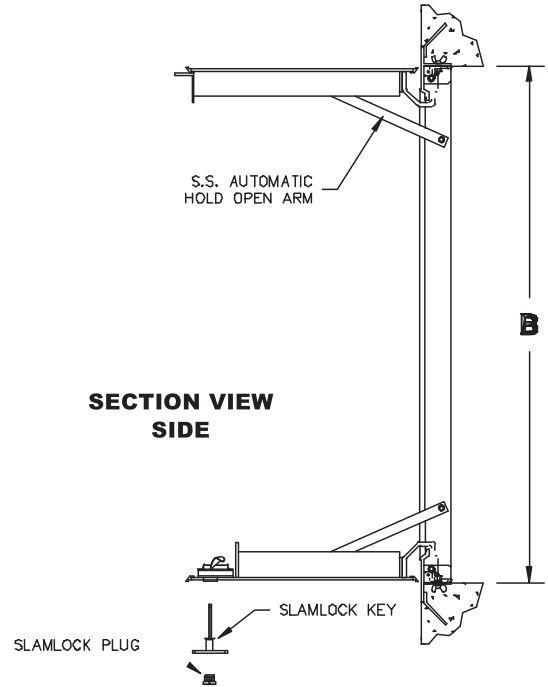
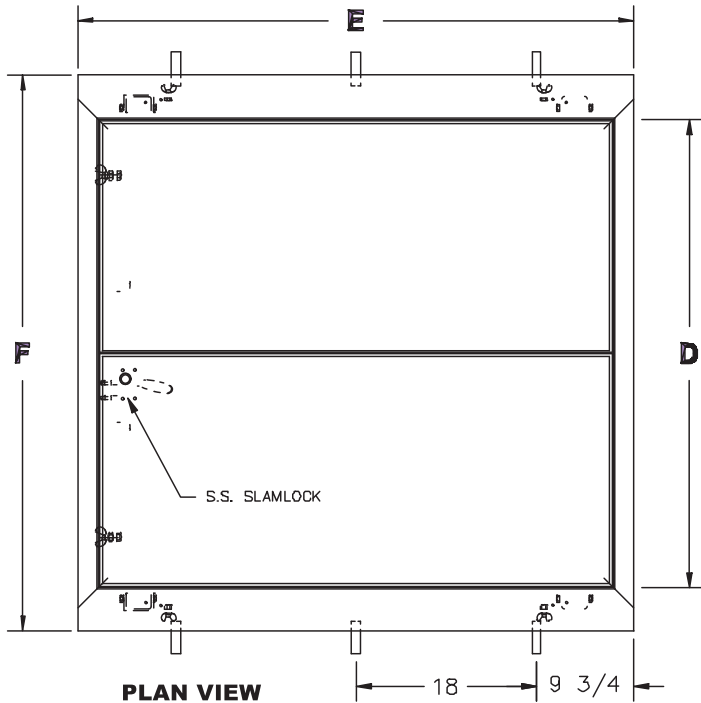


www.acudor.com
 U.S.A.: info@acudor.com / 800.722.0501
 CANADA: info@acudor.ca / 844.228.3671
 INTERNATIONAL: info@acudorintl.com
 905.428.2240

FT-8040

**1/8" RECESSED FOR VINYL TILE/
 CARPET - DOUBLE LEAF**

NOMINAL DOOR SIZE	FRAME OPENING		CLEAR OPENING		OVERALL SIZE		WEIGHT
	in. (mm)	A in. (mm)	B in. (mm)	C in. (mm)	D in. (mm)	E in. (mm)	
48 x 48 (1220 x 1220)	50-1/8 (1270)	46-3/4 (1168)	48 (1220)	48 (1220)	55-1/8 (1897)	52-3/4 (1320)	155 (71)
48 x 72 (1220 x 1829)	50-1/8 (1270)	70-3/4 (1778)	48 (1220)	72 (1829)	55-1/8 (1897)	76-3/4 (1930)	220 (100)
60 x 60 (1524 x 1524)	62-1/8 (1574)	58-3/4 (1473)	60 (1524)	60 (1524)	67-1/8 (1702)	64-3/4 (1651)	225 (102)



- NOTES:**
- 1- MATERIAL: ALUMINUM
 - 2- LOADING: 150 LBS. PER SQ. FT.
 - 3- 316 STAINLESS STEEL BOLTS, HINGES AND HOLD OPEN ARM

JOB NAME:
 CUSTOMER:

APPROVED BY:
 DATE: