

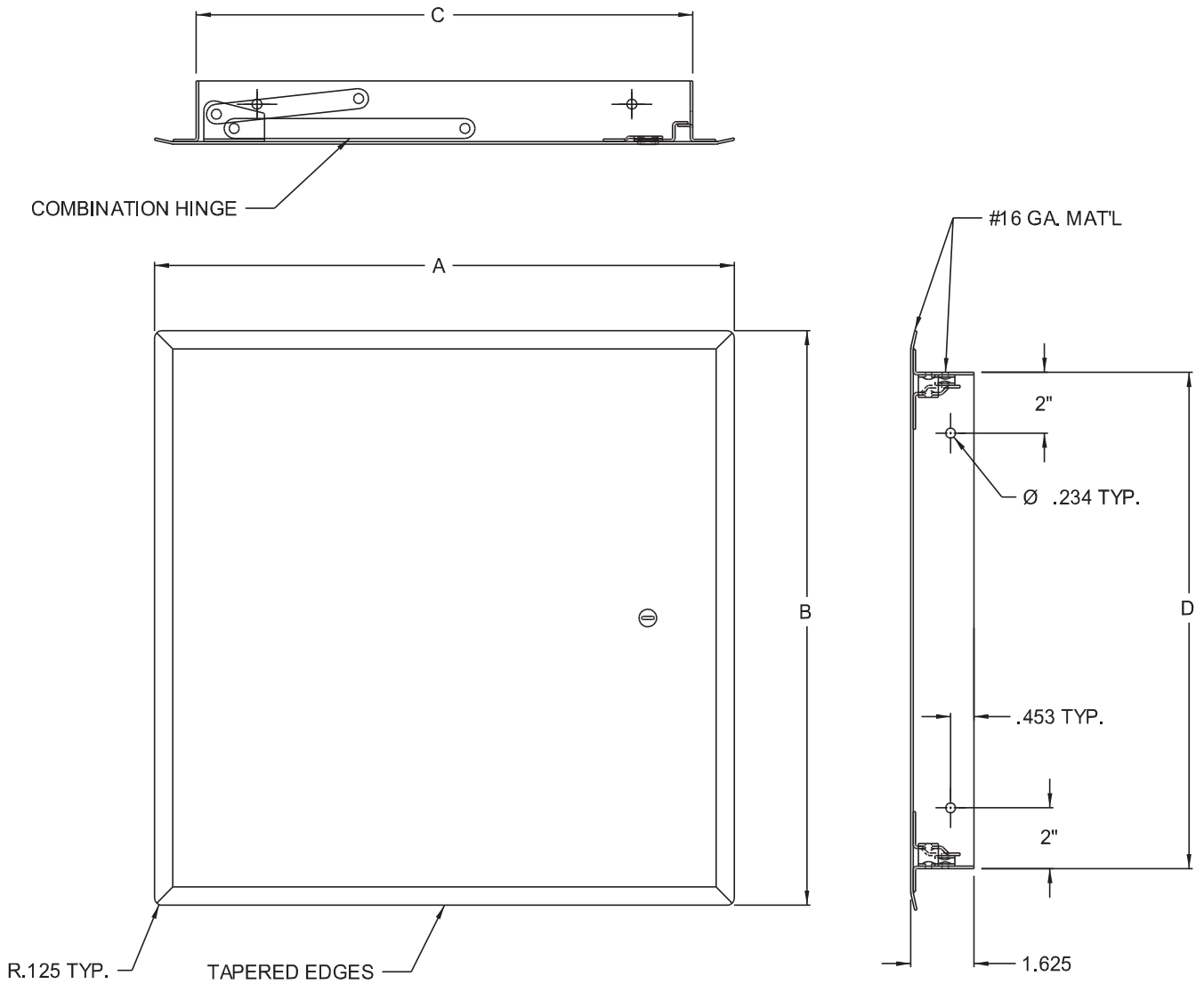


www.acudor.com
 U.S.A.: info@acudor.com / 800.722.0501
 CANADA: info@acudor.ca / 844.228.3671
 INTERNATIONAL: info@acudorintl.com
 (905) 428.2240

BP-2002

FLUSH MOUNT

QTY.	NOMINAL SIZE	A	B	C	D	LOCK
	8 x 8 (203 x 203)	10.25 (260)	10.25 (260)	8.25 (210)	8.25 (210)	1
	12 x 12 (305 x 305)	14.25 (362)	14.25 (362)	12.25 (311)	12.25 (311)	1
	16 x 16 (406 x 406)	18.25 (464)	18.25 (464)	16.25 (413)	16.25 (413)	1
	18 x 18 (457 x 457)	20.25 (514)	20.25 (514)	18.25 (464)	18.25 (464)	3
	24 x 24 (610 x 610)	26.25 (667)	26.25 (667)	24.25 (616)	24.25 (616)	3



STANDARD FEATURES: SLOTTED SCREW CAM LATCH, CARBON STEEL, PRIME COAT BAKED ENAMEL FINISH

OPTIONS:

LOCK TYPE
 SLOT CATCH

MATERIAL
 MILD STEEL

FINISH
 GRAY BAKED ENAMEL FINISH

JOB NAME:
 CUSTOMER:

APPROVED BY:
 DATE:

COPYRIGHT © 2015 ACUDOR PRODUCTS LTD. - ALL RIGHTS RESERVED

REVISED: 06-28-10