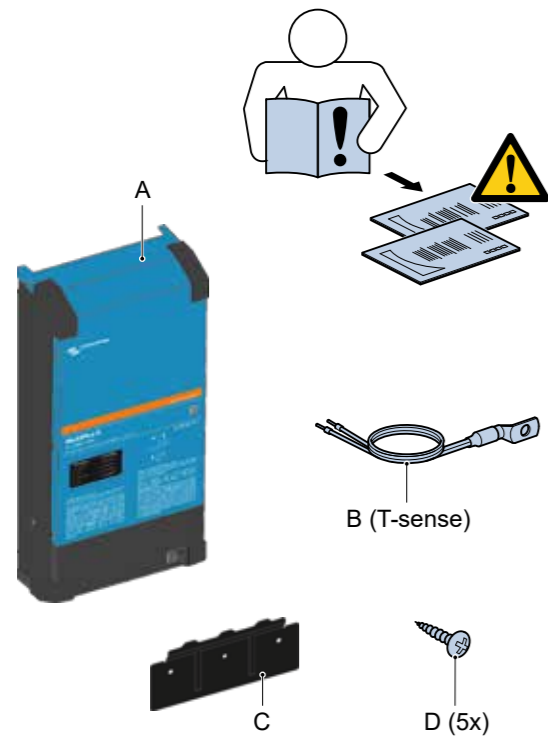


# Quick Installation Guide

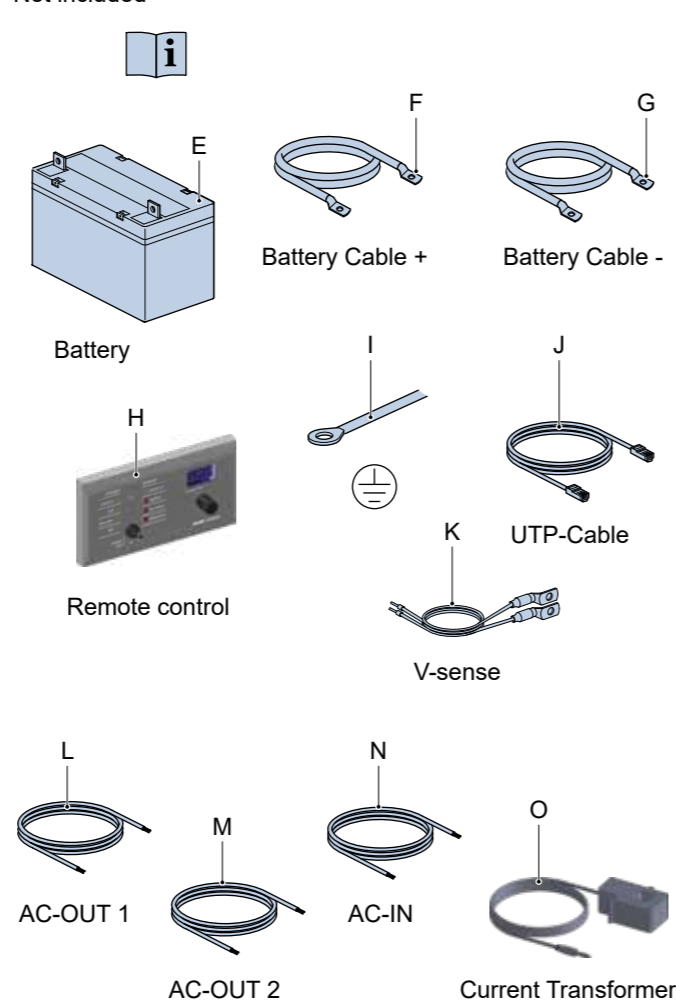
MultiPlus-II 12V 3000VA 2x120Vac

www.victronenergy.com

## Included

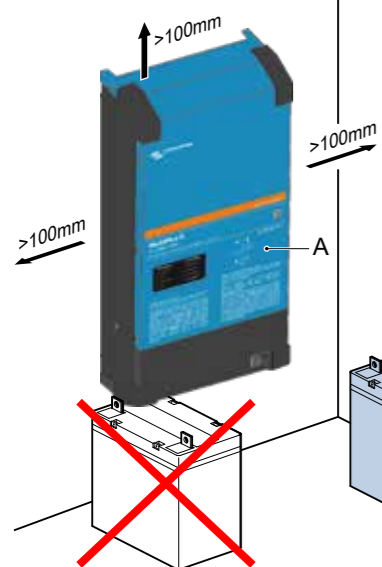
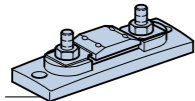


## Not included

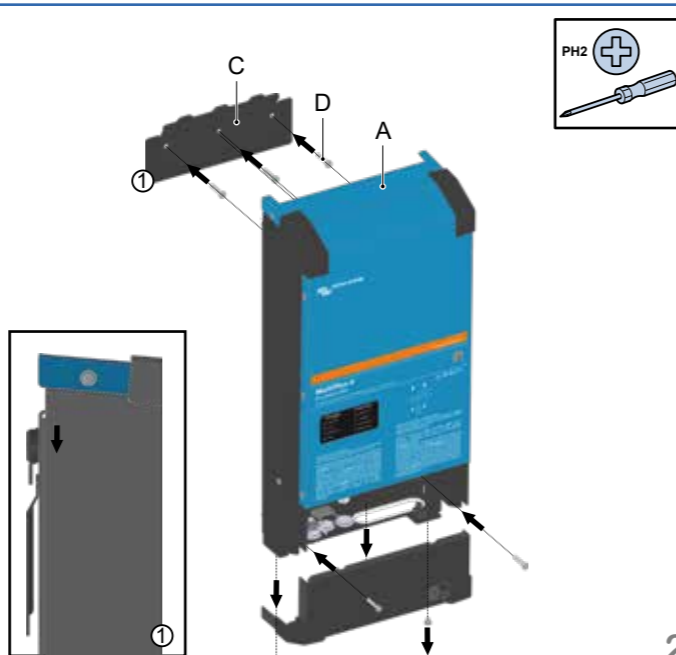


**!** For fuse values:  
refer to the user manual

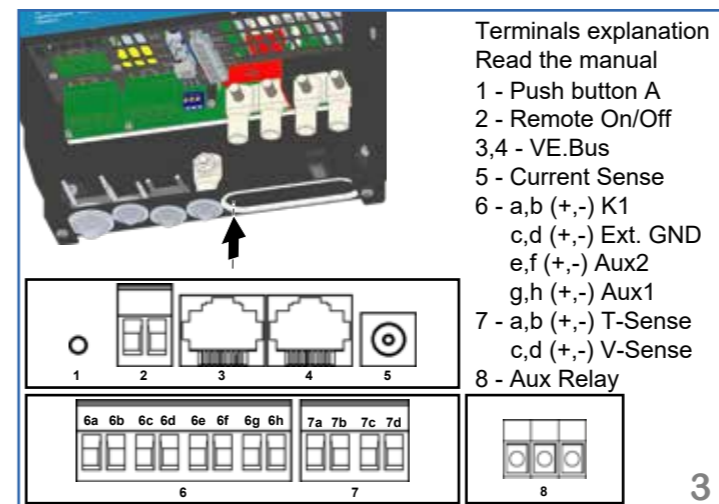
Fuse (not included)



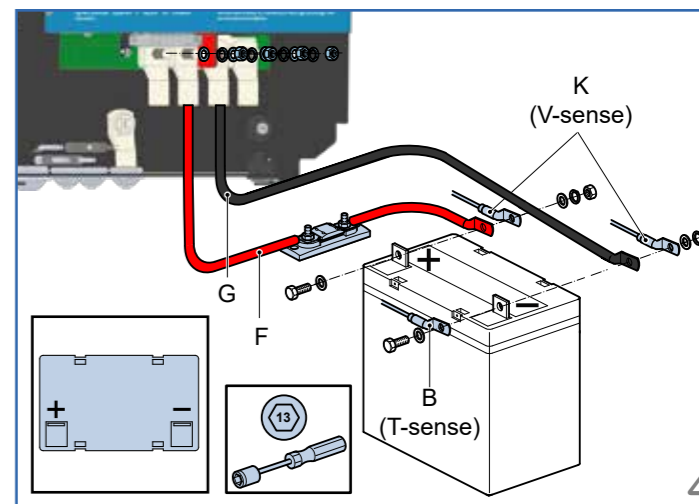
1



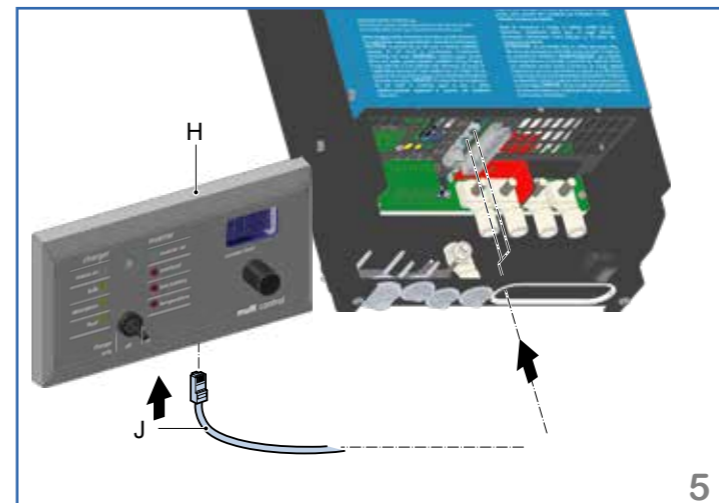
2



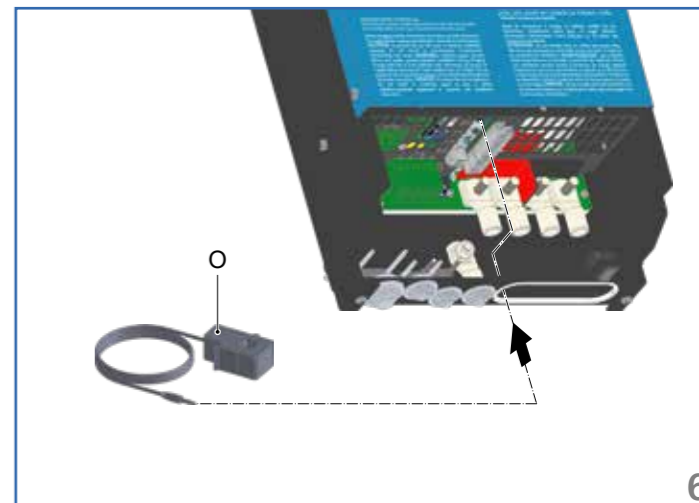
3



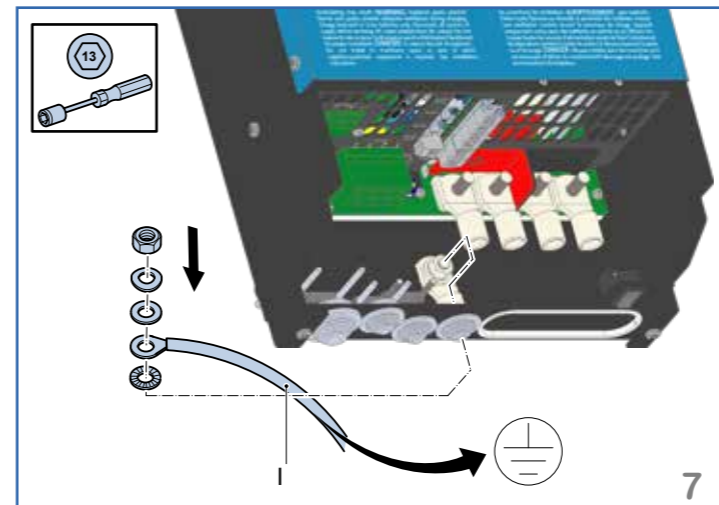
4



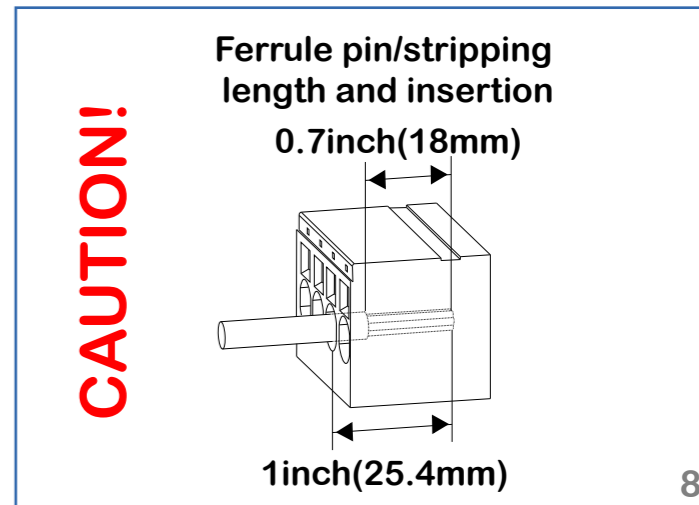
5



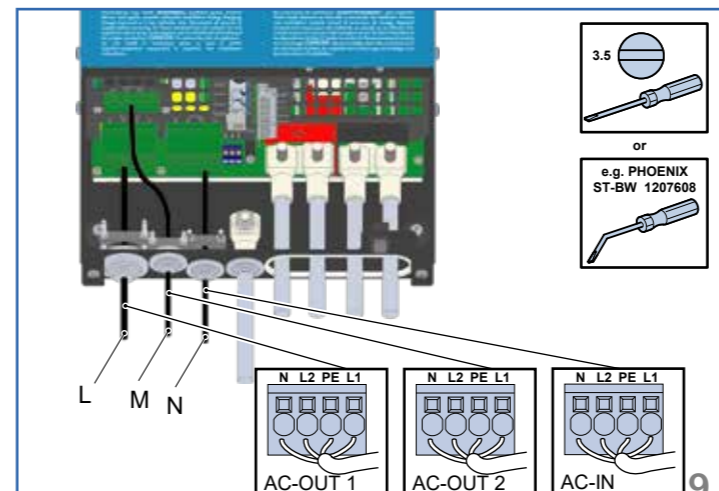
6



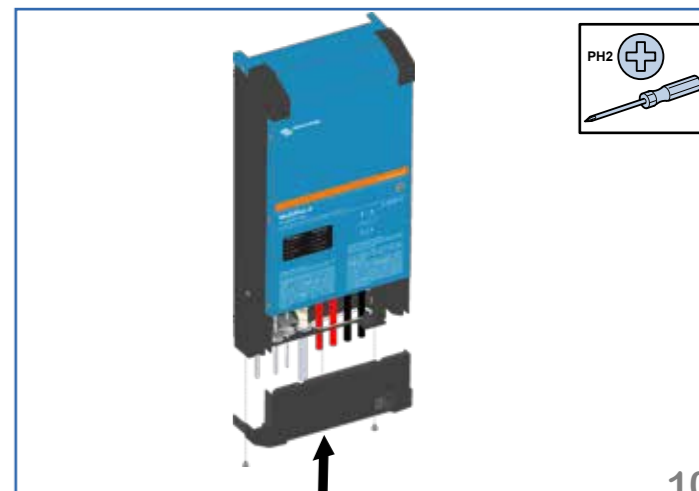
7



8



9



10