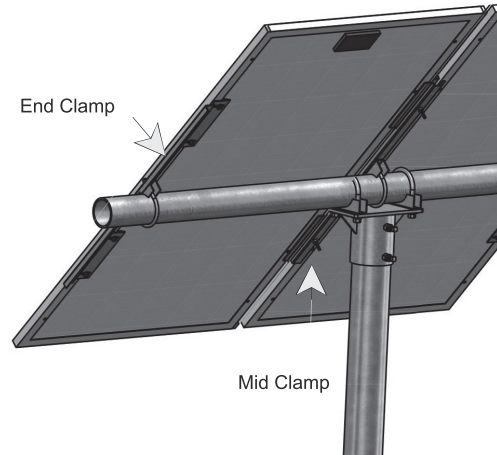
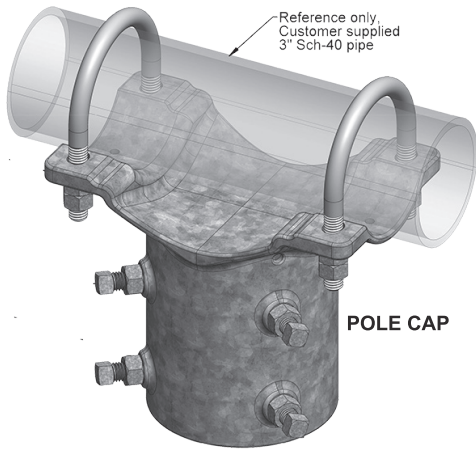




**VERTICAL AND HORIZONTAL SCHEDULE 40 PIPE IS NOT INCLUDED - PURCHASE LOCALLY**

- The PGRM Series Pole Mount can be used to mount up to 6 solar modules with a frame thickness between 1.18” and 2”
- All parts are made from galvanized steel with stainless-steel hardware
- Two sizes of module clamps:
  - 35-inch long for modules with frame length of 38 to 72 inches
  - 47-inch long for modules with frame length of 72 to 96 inches.
- Tilt angle can be adjusted from 0° to 90° and is easily adjusted seasonally
- Parts can ship by UPS



User supplies 4” schedule 40 steel pipe(s) for vertical pole and a 3” schedule 40 steel pipe for the horizontal beam. Calculation of the required horizontal beam length (L) in inches:  
 $L = 5 + (Q \times W) + ((Q-1) \times 1.28)$  where Q = module quantity, W = module width

Part Number	Description	Weight (lbs.)
70-0300-PGM-B	POLE CAP FOR 4” SCH-40 OR SCH-80 VERTICAL POST (4.5” O.D.)	12
PGRM-MID	MID CLAMP - 35-INCH USE ONE BETWEEN EACH MODULE	7
PGRM-END	END CLAMPS - 35-INCH USE TWO PER MOUNT	6
PGRM-MID-47	MID CLAMP - 47-INCH USE ONE BETWEEN EACH MODULE	9
PGRM-END-47	END CLAMPS - 47-INCH USE TWO PER MOUNT	8