


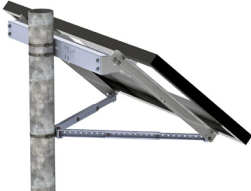


## An Industry Standard for Over 20 Years

- Manufactured using heavy-duty corrosion-resistant aluminum
- Can adapt to larger poles, Rohn 25-series towers, or flat surfaces w/ additional fasteners (see install manual for details)
- Landscape: mount 1 or 2 modules, with a total width less than rail length in table below
- Portrait: mount 1 module if rail length is greater than distance from one end of the long-side of module frame to a mounting hole on the other end of that frame
- Fits pole diameters of 1.5-in to 4-in, Sched 40 pipe (UNI-SP/03X fits 4-in or 6-in, Sched 40 pipe)
- In stock for immediate shipment via UPS or USPS

**ASCE 7-16 Max Wind Speed Table**  
(Applies to SP/01XX, SP/02, SP/02A, SP/03, SP-03W)

Module Area	ASCE 7-16 Max Wind Speed**
18.33 sq. ft.	100 MPH
10.65 sq. ft.	130 MPH
6.83 sq. ft.	150 MPH
4.81 sq. ft.	180 MPH

\*\* Pole size and footing affects wind rating. See our engineering memo for more information.

ITEM #	Maximum Module Area (sq. ft.)	Rail Length (inches)	Module Hole Spacing (inches)	Mounting Pole Size (inches)	Picture
UNI-SP/01A	7	27.5	18.9 - 28.7	1.5" to 4" Sched 40*	
UNI-SP/01XH	7	27.5	29.2 - 39.0	1.5" to 4" Sched 40*	
UNI-SP/01XX	18.33	30	29.2 - 39.0	1.5" to 4" Sched 40*	
UNI-SP/02	18.33	45	18.9 - 28.7		
UNI-SP/02A	18.33	55	18.9 - 28.7		
UNI-SP/02X	18.33	55	29.2 - 39.0		
UNI-SP/03	18.33	70	18.9 - 28.7		
UNI-SP/03W	18.33	70	29.2 - 39.0		
UNI-SP/03X Designed for 2 large modules. Max. wind speed 97 MPH	50	90	29.2 - 41.2	4" to 6" Sched 40	

\* Can be adapted to use larger poles, Rohn 25-series towers, or flat surfaces with additional fasteners