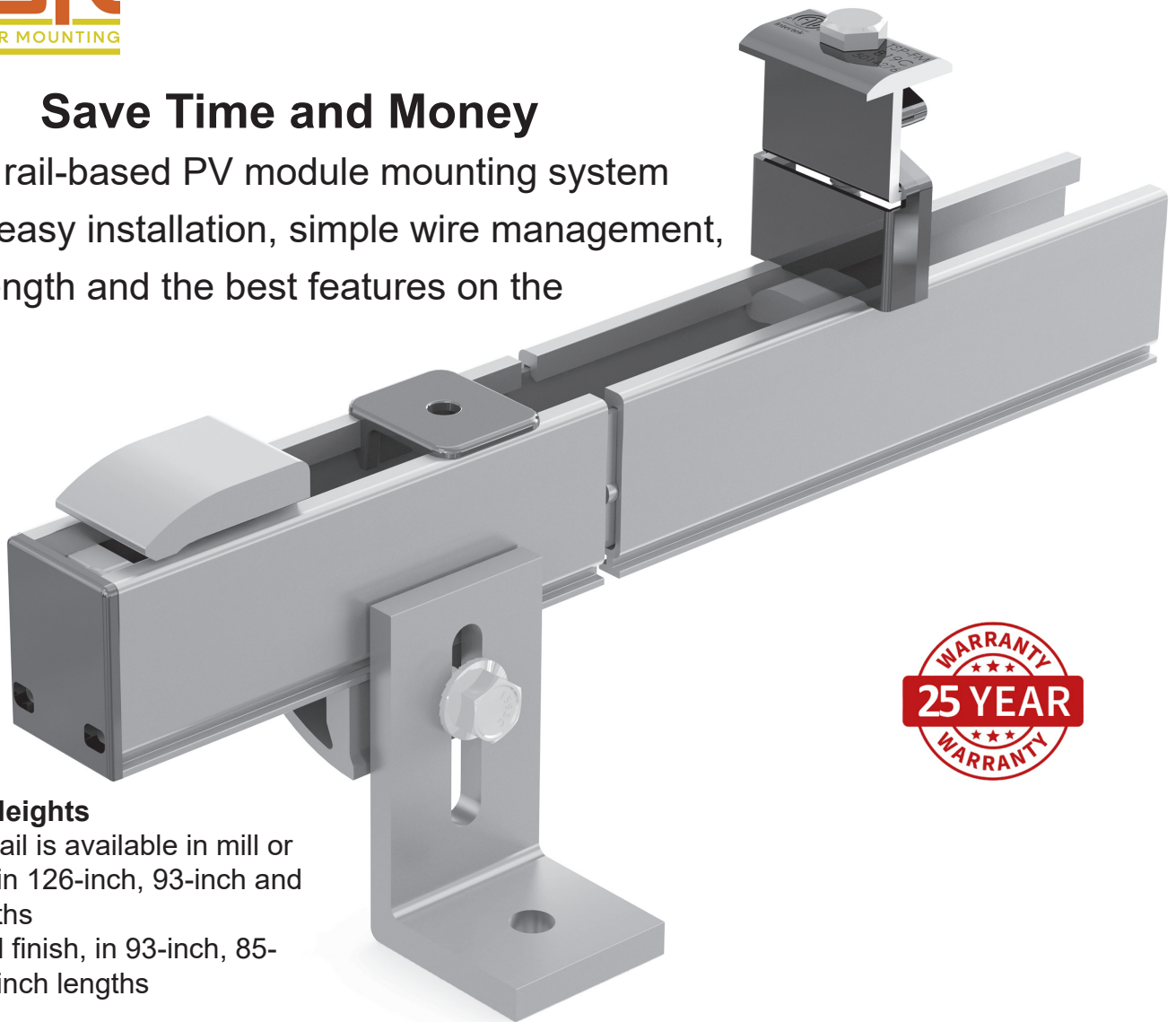


FLUSH MOUNT RAIL SYSTEM

Save Time and Money

Low-cost rail-based PV module mounting system provides easy installation, simple wire management, great strength and the best features on the market



Three Rail Heights

1.6 and 2.3 rail is available in mill or black finish, in 126-inch, 93-inch and 84-inch lengths

3.1 rail is mill finish, in 93-inch, 85-inch and 66-inch lengths

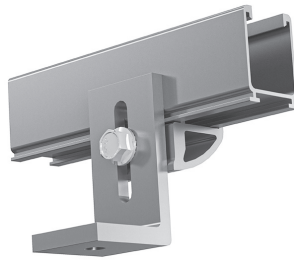
- Best Wire Management** - PV cables and wiring for module-level electronics fits inside rails to avoid time consuming wire management.
- Use Any Roof Attachments** - Our rails mount to QuickBolt, QuickMount, FlashFoot, S-5 or any roof attachment that can be used with a 5/16 inch bolt.
- One Wrench Size** - Install with ease and minimal tools. A 1/2-inch socket fits all fasteners.
- UL 2703 Listed** - All components meet the UL standards and have a Class A Fire Rating for Type 1 and 2 modules.
- PE Certified** - Pre-stamped engineering letters available for most states.

Tamarack Flush Mount makes it easy to stock parts and quickly install a PV system



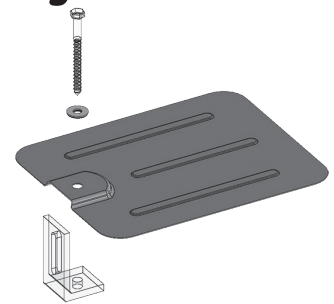
Three Rail Sizes

3.1-inch rail for heavy loads and longer spans, 2.3-inch for moderate snow loads and 1.6-inch rail for low-profile mounting and areas with low snow load.



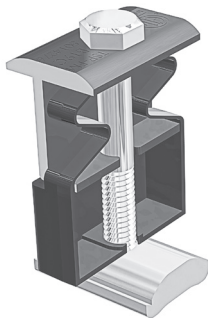
Rail Mount and L-Foot

Quickly and securely mount the rail from either side. Rail mount fits any L-Foot, Tile Hook or specialty flashing with a hole or slot for a 5/16-inch bolt. Rail mount is also available with an L-foot attached to use with our flashing.



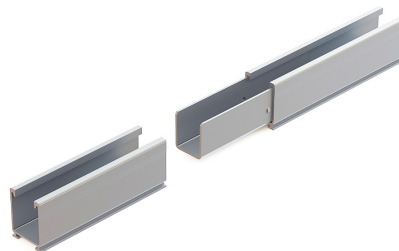
Comp Shingle Flashing

Get superior waterproofing on composition shingle roofs. 10-inch x 8-inch black aluminum flashing fits over L-foot at left. Sealing washer is included. Use with 5/16-inch lag bolt. Fits over L-foot at left.



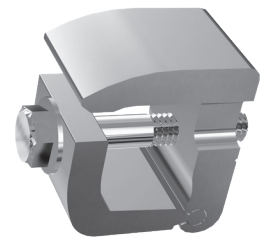
50-50 Bonding Clamp

One clamp can be used as a mid-clamp or an end-clamp on modules with 30 mm to 40 mm frame height. Patent-Pending.



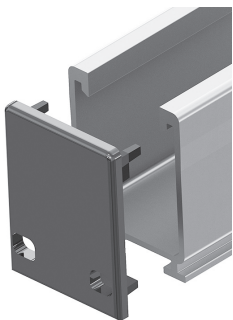
Push-In Bonding Rail Splice

Quickly splice and bond rail sections. No tools or fasteners for 2.3 and 1.6 splices. Top Clamps and Rail Mounts can be co-located with splice.



Channel End Clamp

Simple device to allow modules to be mounted flush to the end of the rail. For 2.3 and 1.6 rail only.



Push-On End Cap

Can be used with 50/50 Clamp or Channel End-Clamp.



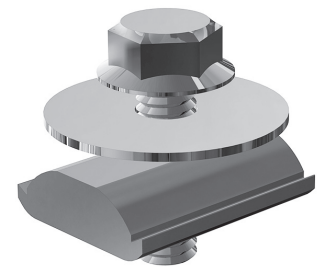
Wire Management Clip

Push into top of rail to keep cables in place.



Ground lug

Use one per module row to ground rail with bare 6 to 10 AWG copper wire.



MLPE Adapter

Use for mounting microinverters and optimizers on the rails under the solar modules.