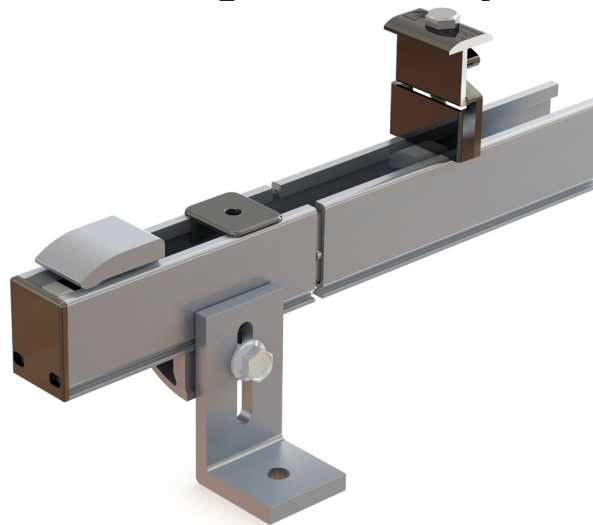


FLUSH MOUNT RAIL KIT TWO 93-INCH RAILS

2-Rail Add-On Kit for up to 2 Additional Modules

Save Time and Money

Attractive black rail mounting system provides easy installation, simple wire management, and great strength all in a single box, easy to ship box.



Kit contains parts required to mount 2 additional modules when using our 4-Rail or 8-Rail Kits

UPS shippable

- Best Wire Management** - PV cables and wiring for module-level electronics fits inside rails to avoid time consuming wire management.
- Use Any Roof Attachments** - Included **L-foot** mount to Tamarack composition shingle flashings, S-5! metal roof clamps or any roof attachment that uses a 5/16 inch bolt.
- One Wrench Size** - Install with ease and minimal tools. 1/2-inch socket fits all fasteners.
- UL 2703 Listed** - All components meet UL standards and have Class A Fire Rating for Type 1 and 2 modules.
- PE Certified** - Pre-stamped engineering letters available for most states.

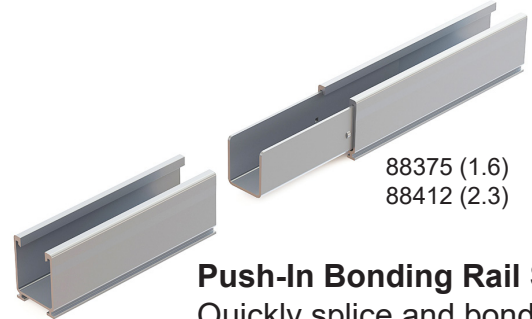
Tamarack Flush Mount 93-inch Rail Kit

Install Two Additional PV Modules



Black Coated Rails

Attractive low-profile mounting of up to eight modules with four-foot roof attachment spacing. Certified for up to 180 MPH wind speed and 120 PSF snow load. **Two 93-inch rails included. Two rail heights available - 1.6-inch or 2.3-inch.**

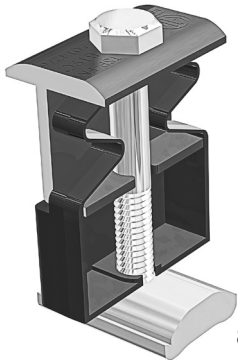


88375 (1.6)
88412 (2.3)

Push-In Bonding Rail Splice

Quickly splice and bond rail sections with no tools or fasteners. Top Clamps and Rail Mounts can be co-located with splice.

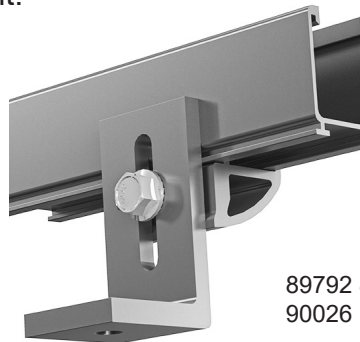
2 splices are included.



88450

5050 Clamp

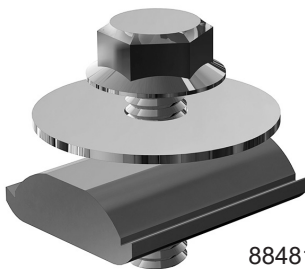
One clamp can be used as a mid-clamp or an end-clamp on modules with 30 mm to 40 mm frame height. **4 clamps included.**



89792 &
90026

Rail Mount and L-Foot

Quickly and securely mount the rail from either side, to Tamarack composition shingle flashings, S-5! metal roof clamps or any roof attachment that uses a 5/16 inch bolt. **4 mounts and L-feet included.**



88481

MLPE Adapter

Use this adapter for mounting microinverters and optimizers on the rails under the modules. Use one adapter for each device. **2 adapters included.**



88474

Wire Management Clip

Clips can be pushed into top of rail to keep cables in place. **6 clips included.**