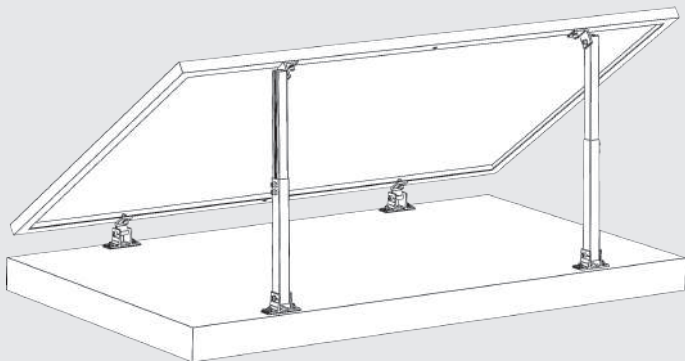




User Manual

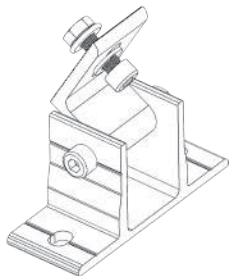
Adjustable Solar Panel Tilt Mount



MODEL: RS-TM4 / RS-TM6

COMPONENTS LIST

adjustable front leg



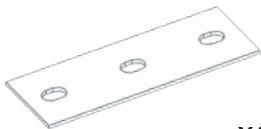
X2

screw



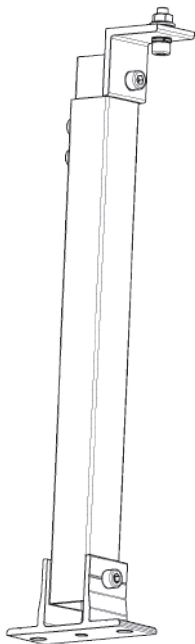
X8

rubber washer



X4

adjustable rear leg

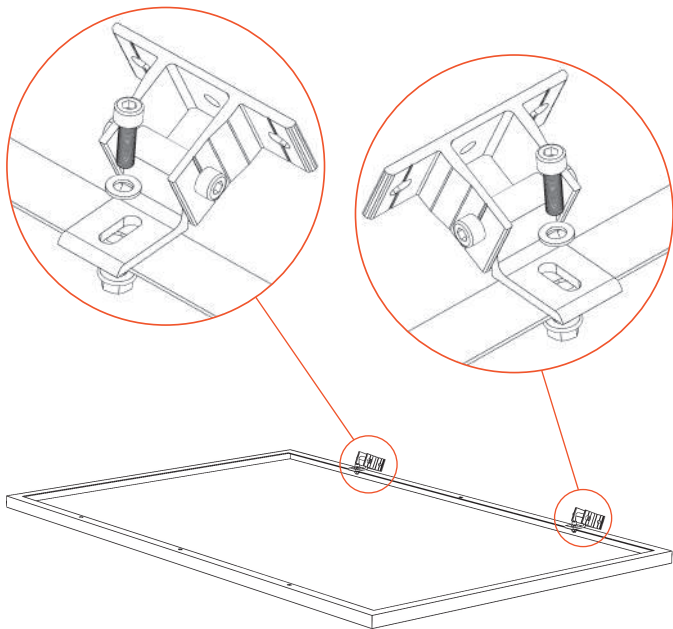


X2

INSTALLATION STEPS

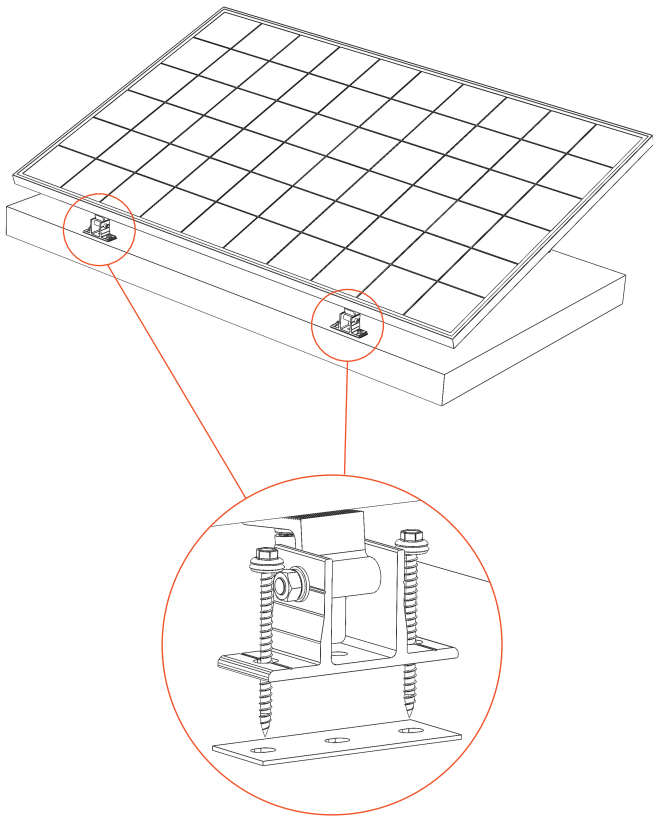
Step 1

Follow image: use the pre-assembled bolt to install both adjustable front legs to the frame of panel;



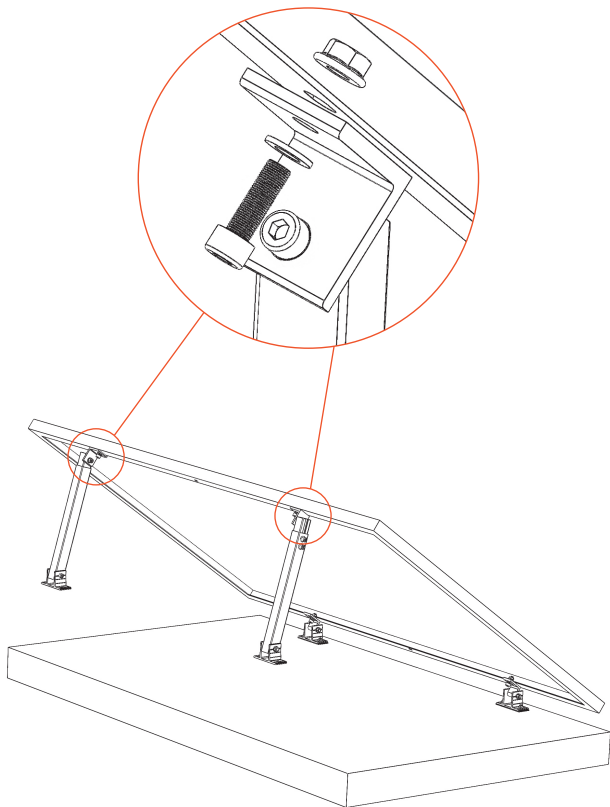
Step 2

Follow image: aligning rubber washers then underlay the adjustable front leg, use 2pcs ST6.3*80mm screw to lock adjustable front leg on the surface of ground;



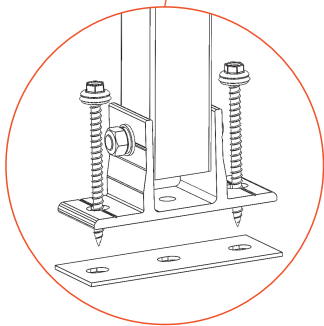
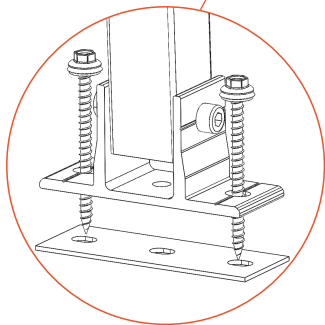
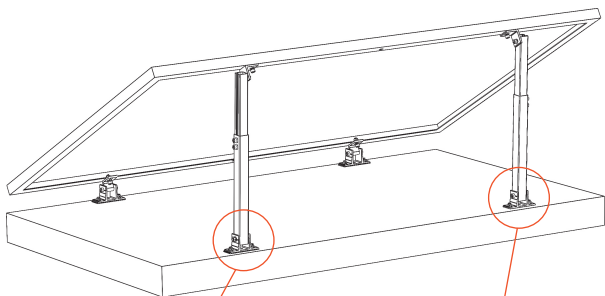
Step 3

Follow image: use pre-assembled M8 bolt to lock top of adjustable rear leg (the side includes aluminum angular) and panel;



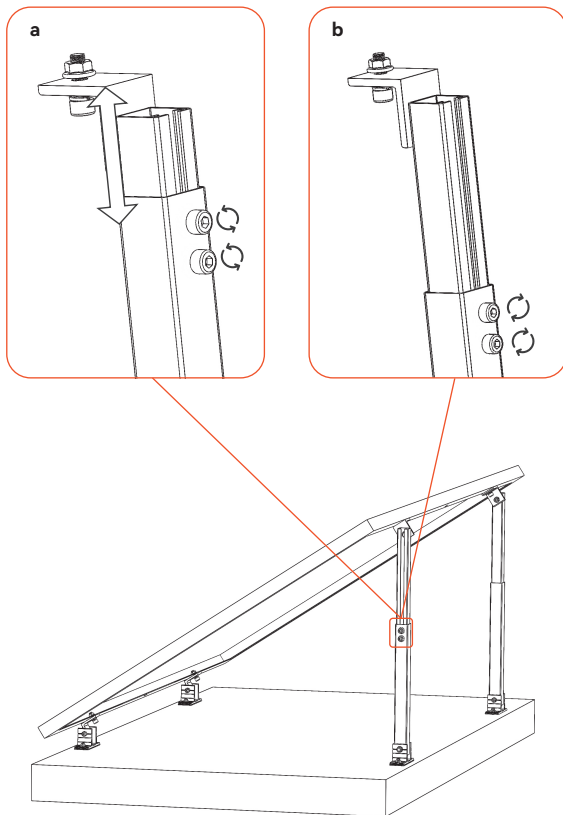
Step 4

Settle the distance between front and rear leg according to the actual angle, follow image: use ST6.3*80mm screw to lock both base of rear leg and rubber washer to surface of ground;



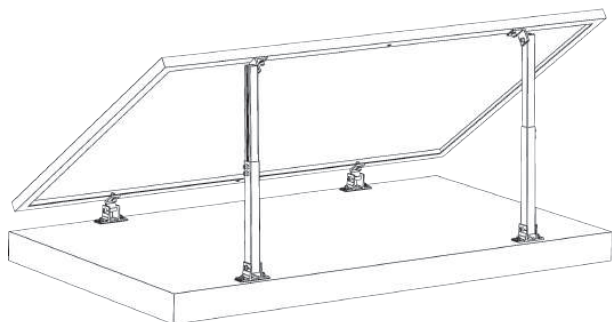
Step 5

Follow image a, loosen both bolts can adjust the length of rear leg, to adjust angle; after that, follow image b, tighten up both bolts to fix the length of rear leg.



Step 6

Installation of the brackets is completed.




NOTICE

This installation is only applicable on our this product. Unless there is no other way, please install strictly according to our providing install steps. Contact us if there is any changes of installation steps.

1. For your safety please strictly comply with the operating procedures of the use of tools.
2. Please do the necessary protective measures as power source is using under installation.
3. Product section is relatively sharp, please wear labor protection appliance to avoid your unnecessary injury.
4. In the construction of a number of people, please make instant communication to avoid accidental injury.
5. Tools Preparation.


Serial No.	Tools Name	Purpose
1	M8 Inner Hexagon Spanner	Using during installation of Side Pressing Block, Middle Press Block and Horizontal Press Block.
2	Gloves, Safety hat, Protective eyewear, Safe Belt, Safety Footwear, Insulated Gloves and other necessary Safety Products.	

If there is any confusion during installation, please contact us in time!

 1-800-831-9889

 support@richsolar.com

 www.richsolar.com

 5550 Jurupa St, Ontario, CA 91761