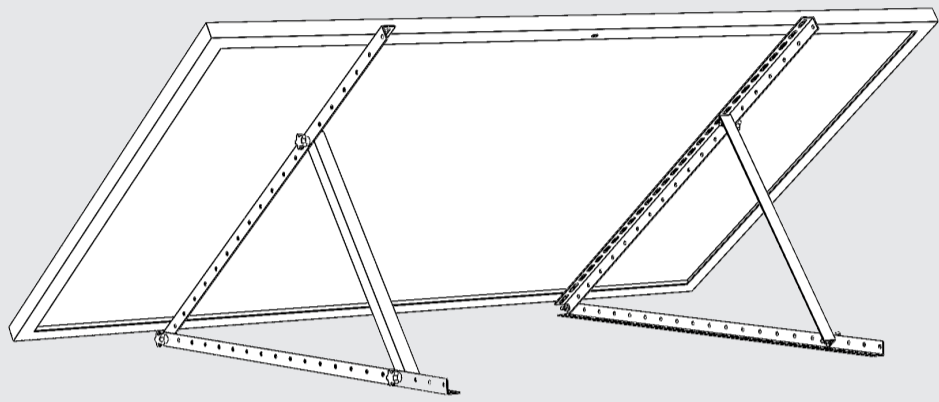




User Manual

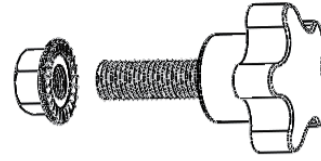
Triangle Solar Bracket Mount



MODEL: RS-TM28

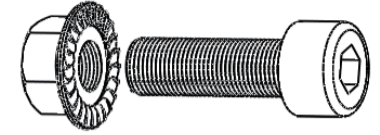
Components List

M8X25mm Torx screw & nut



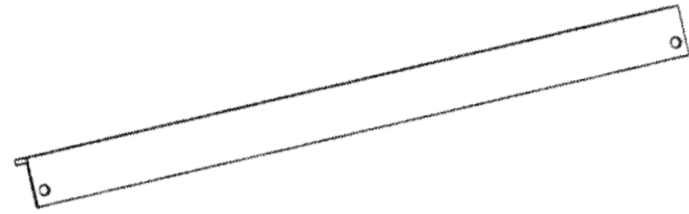
x6

M8X25mm screw & nut



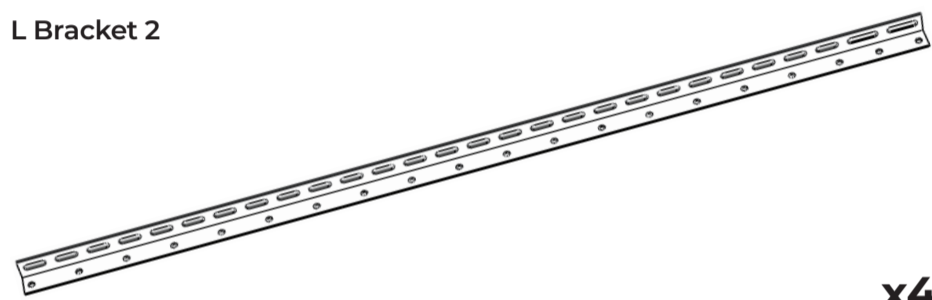
x4

L Bracket 1



x2

L Bracket 2

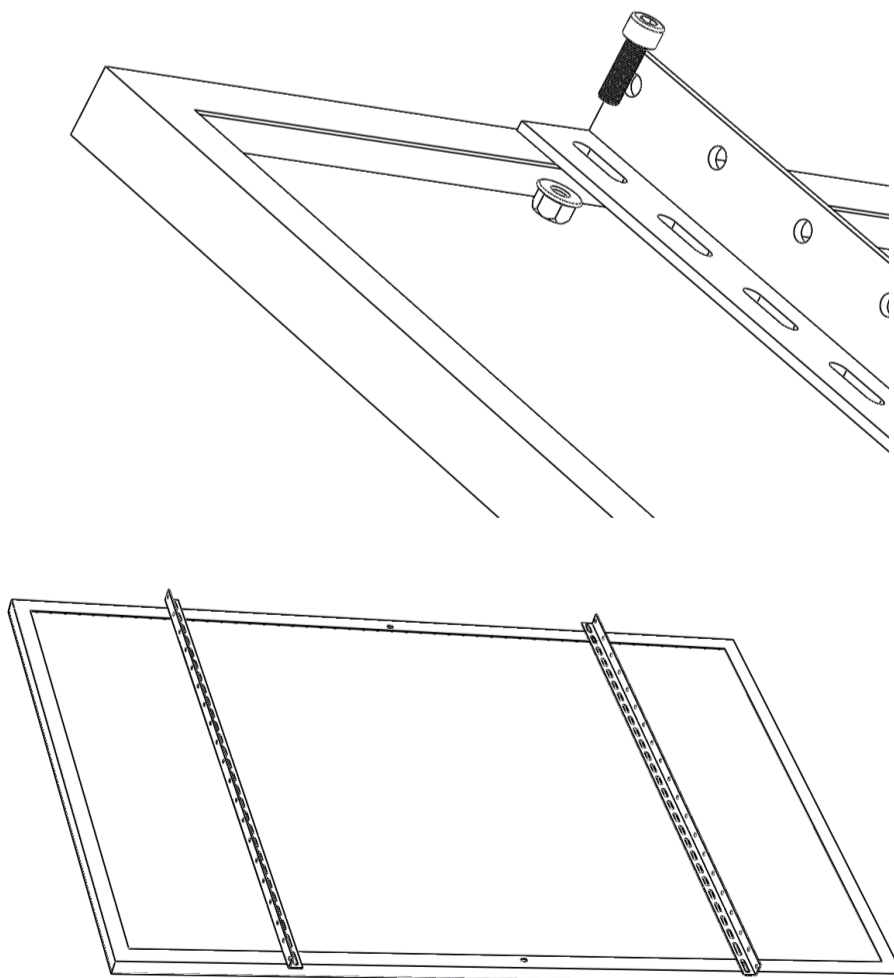


x4

Installation Steps

Step 1.

Use 4 pcs M8*25mm screw to fix the L bracket 2 on solar panel.



Step 2.

Use 6 pcs M8*25mm Torx screw to fix the L bracket 2 and L bracket 1. Tight all screw to finish the installation.

