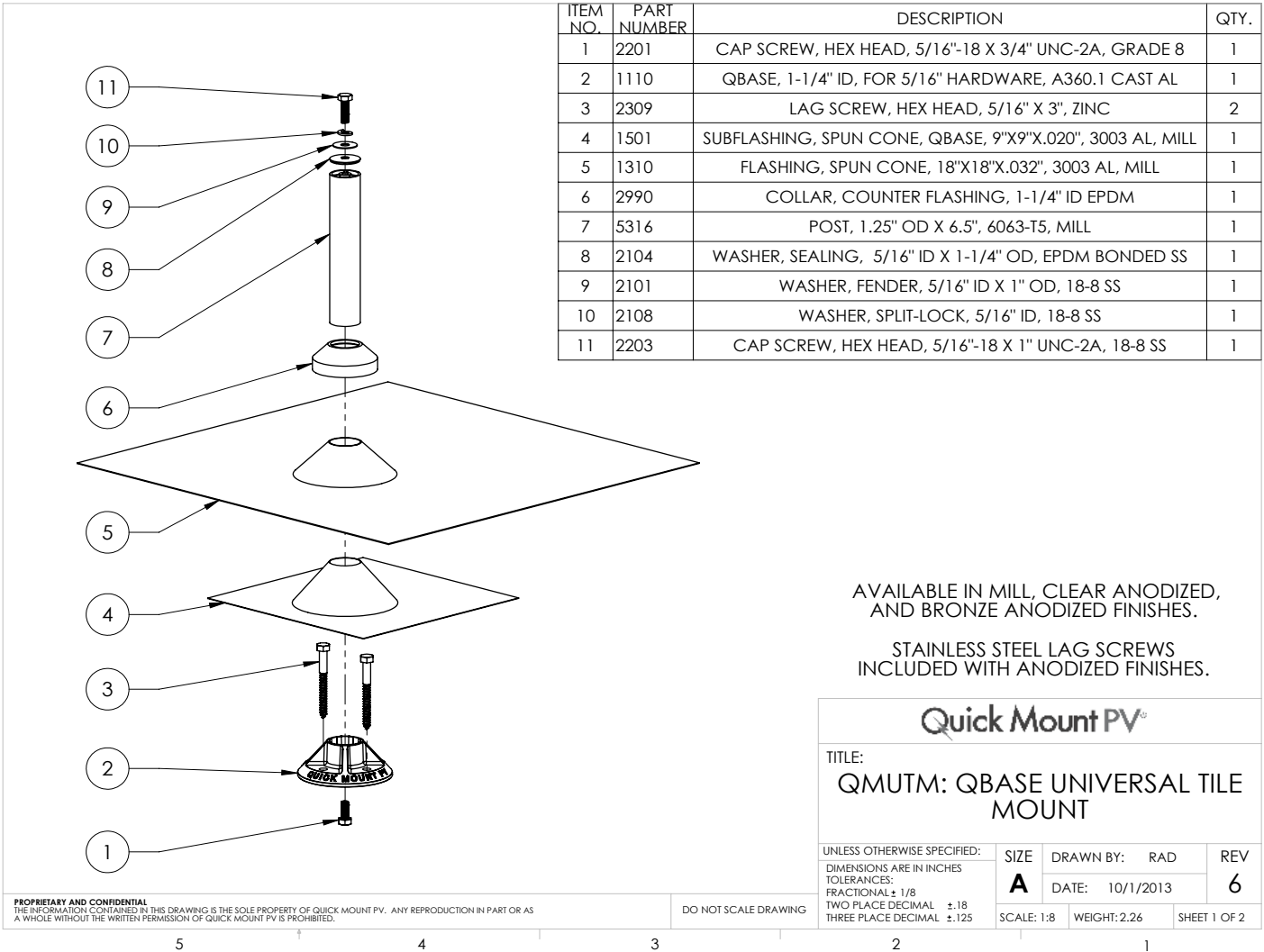


QBase Universal Tile Mount | QMUTM



Ultimate Load Capacity				
Test Setup	Average values based on failure tests results in Douglas Fir			
	Ultimate Load Capacity [lbf]	Rafter moisture content (%)	Rafter specific gravity	Failure Mode
Pullout	3031	20.9	0.436	Lag Bolt Pulled Out
Shear Parallel to Rafter	803	13.8	0.438	Lag Bolt Pulled Out
Shear Perpendicular to Rafter	583	16.5	0.451	Plywood buckled/ Lag Bolt Pulled Out

Source: AME Report 111316C, 7/5/2011

Please note:

- 1) The ultimate load is NOT the same as allowable load. Ultimate load is the load at the point of failure. Since point of failure is usually heavily dependent on the roof itself, allowable load should be calculated by the responsible engineer using the appropriate factor of safety for that job.
- 2) Thread must be embedded in a rafter or other structural roof member.
- 3) See IBC for required edge distances.



QBase Universal Tile Mounting Instructions

Subflashing Waterproofing Method: Lapped Paper

Installation Tools Required: tape measure, drill with 7/32" bit, drill or impact gun with 1/2" deep socket, caulking gun and sealant compatible with roofing material, 30 lb felt paper, whisk broom, roofing bar, angle grinder with a diamond blade

WARNING: Quick Mount PV products are NOT designed and should NOT be used to anchor fall protection equipment.



Remove tile at selected location of mount.



Locate and mark center of rafter. Clean felt paper with hand broom.



Use a straight edge and measure up 6 5/8" from bottom of tiles to center of the mount over the center of rafter.



Align QBase (item 1) over rafter center and drill two 7/32" pilot holes. Fill pilot holes with sealant compatible with roofing material. Place grade-8 cap screw (item 2) under QBase in hex slot, threads pointing up. Lag QBase into rafter through pilot holes.



Install subflashing (item 5) in either the lapped paper method explained on this page or the three-course method explained on the next page.



Take care to do a quality installation. When using the paper method, slide subflashing under felt overlap or cut an additional piece of felt paper 18" wide to slide under the course above, and over the primary flashing of the mount. This is essential for proper waterproofing.



With a diamond blade on a grinder or skill-saw, cut tile to allow post to pass through. Place cut tile back in position. Insert post (item 3) and tighten into place.



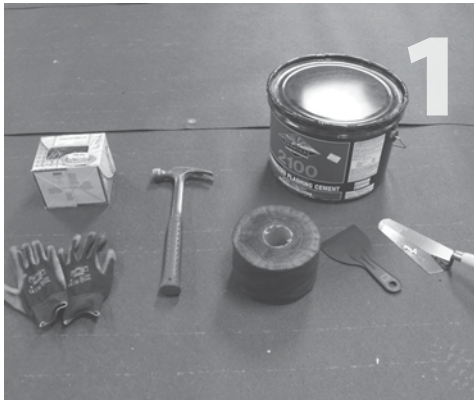
Install the 18"x 18" flashing (item 6). Pre-bend the flashing to follow the contour of the tile if curved. Apply sealant where post and flashing meet, and install EPDM counter flashing collar (item 7). Be sure to seal off the post from weather exposure with the racking hardware (items 8-11) in the interim before racks are installed.

You are now ready for the rack of your choice. Follow all the directions of the rack manufacturer as well as the module manufacturer.

All roofing manufacturers' written instructions must also be followed by anyone modifying a roof system. Please consult the roof manufacturer's specs and instructions prior to touching the roof.

Subflashing Waterproofing Method: Three-Course

Installation Tools Required: gloves, hammer, brush, roofing nails, roofing cement, trowel, roll of reinforcing fabric, sealant compatible with roofing material



Gather materials needed.



Clean away dust and debris around QBase.



Apply a bead of sealant in the shape of an upside down U on the back side of the subflashing.



Install the subflashing over the post, making sure the edge closest to the cone is on the downhill side.



Fasten the subflashing into place with two roofing nails, one in each top corner.



Apply 1/8" thick layer of roofing cement around the top and sides of the subflashing with at least 1" extending past the sides of the flashing onto the felt. Layer should be about the thickness of a nickel.



While cement is still wet apply 3 pieces of reinforcing fabric strips where felt paper and flashing meet – a 14" strip along the top, and a 10" strip along each side.



After first layer of cement is dry apply second layer of subflashing over reinforcing fabric to finish waterproofing of subflashing.

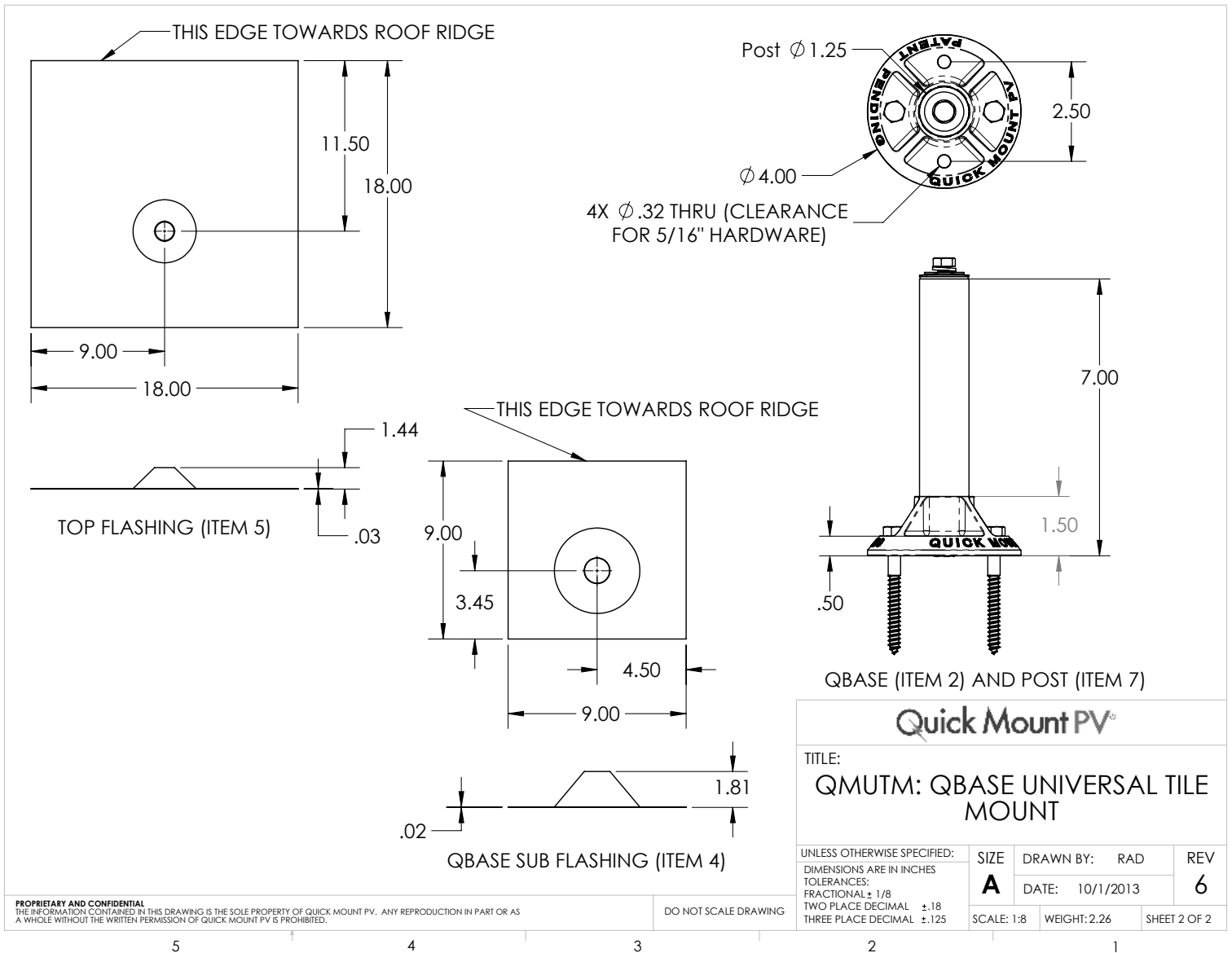
You are now ready to proceed with your top tile flashing installation (steps 7-8 on page 2).

Digital installation instructions are also available at our website:
www.quickmountpv.com/support/downloads.html

For more information on tile roofing best practices and code compliance visit the Tile Roof Institute's website:
www.tilerroofing.org

QBase Universal Tile Mount | QMUTM

Additional Dimensions



Quick Mount PV[®]

925-478-8269 • www.quickmountpv.com • info@quickmountpv.com
2700 Mitchell Dr., Bldg 2 • Walnut Creek, CA 94598