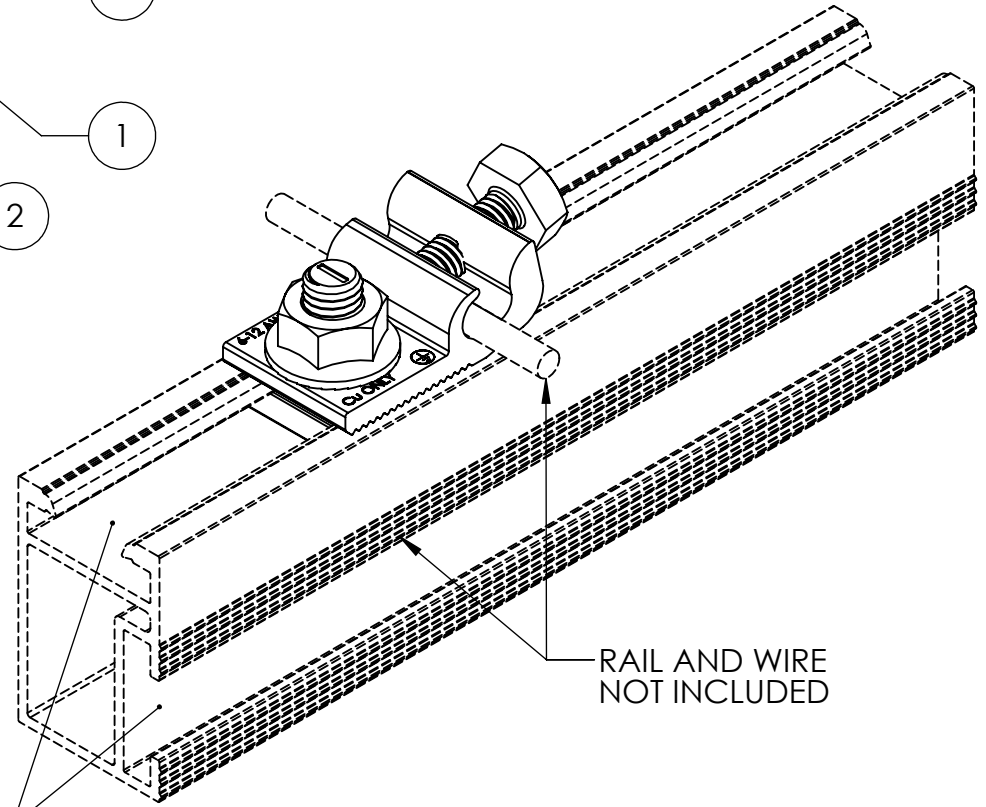


ITEM NO.	DESCRIPTION	QTY.
1	GROUNDING LUG, QRAIL, 0.9", AL, TIN PLATED	1
2	T-BOLT, M8 X 1.25 X 20MM, A2-70 SS, NYLON PATCH	1
3	NUT, SERRATED FLANGE, M8 X 1.25, DIN 6923, A2-70 SS	1
4	CAP SCREW, HEX HEAD, M6 X 1.0 X 16MM, 1/2 IN HEAD, FLAT POINT, A2-70 SS	1



QMR-GLQ LUG CAN BE INSTALLED IN ANY OREINTATION ON EITHER THE TOP OR SIDE CHANNEL

Quick Mount PV

TITLE:
**QMR-GLQ: GROUNDING LUG,
 QRAIL, AL, WITH T-BOLT**

UNLESS OTHERWISE SPECIFIED: DIMENSIONS ARE IN INCHES TOLERANCES: FRACTIONAL ± 1/8 TWO PLACE DECIMAL ±.19 THREE PLACE DECIMAL ±.094	SIZE A	DRAWN BY: DFM	REV 2
	SCALE: 1:1	DATE: 3/23/2020	WEIGHT: 0.36
		SHEET 1 OF 1	