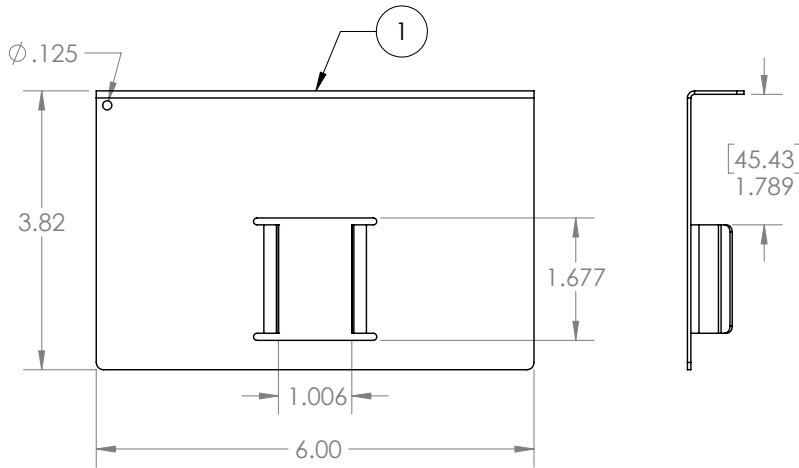
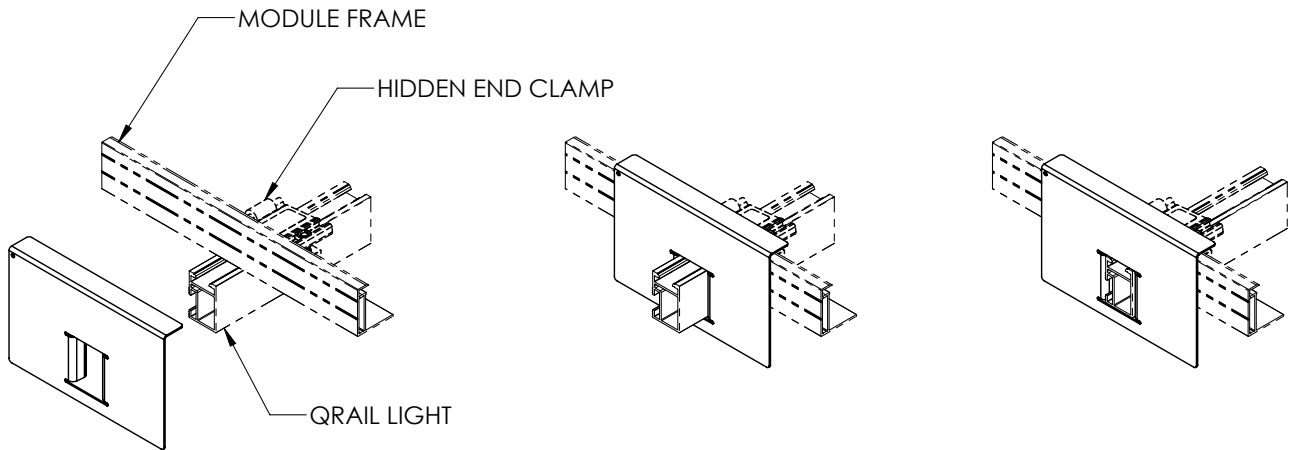


Rail Cutting Guide - QMR-CGL & QMR-CGS

ITEM NO.	DESCRIPTION	QTY.
1	CUTTING GUIDE, QRAIL, LIGHT, SPRING STEEL, NICKEL PLATED	1



NOTE: QRAIL AND HIDDEN END CLAMP NOT INCLUDED

Quick Mount PV[®]			
TITLE: QMR-CGL: CUTTING GUIDE, QRAIL, LIGHT			
UNLESS OTHERWISE SPECIFIED: DIMENSIONS ARE IN INCHES TOLERANCES: FRACTIONAL $\pm 1/8$ TWO PLACE DECIMAL $\pm .19$ THREE PLACE DECIMAL $\pm .094$	SIZE A	DRAWN BY: AAP	REV 2
	SCALE: 1:4	DATE: 6/2/2020	WEIGHT: 0.3628
		SHEET 1 OF 1	

PROPRIETARY AND CONFIDENTIAL
THE INFORMATION CONTAINED IN THIS DRAWING IS THE SOLE PROPERTY OF QUICK MOUNT PV. ANY REPRODUCTION IN PART OR AS A WHOLE WITHOUT THE WRITTEN PERMISSION OF QUICK MOUNT PV IS PROHIBITED. COPYRIGHT © 2020 QUICK MOUNT PV

DO NOT SCALE DRAWING

5

4

3

2

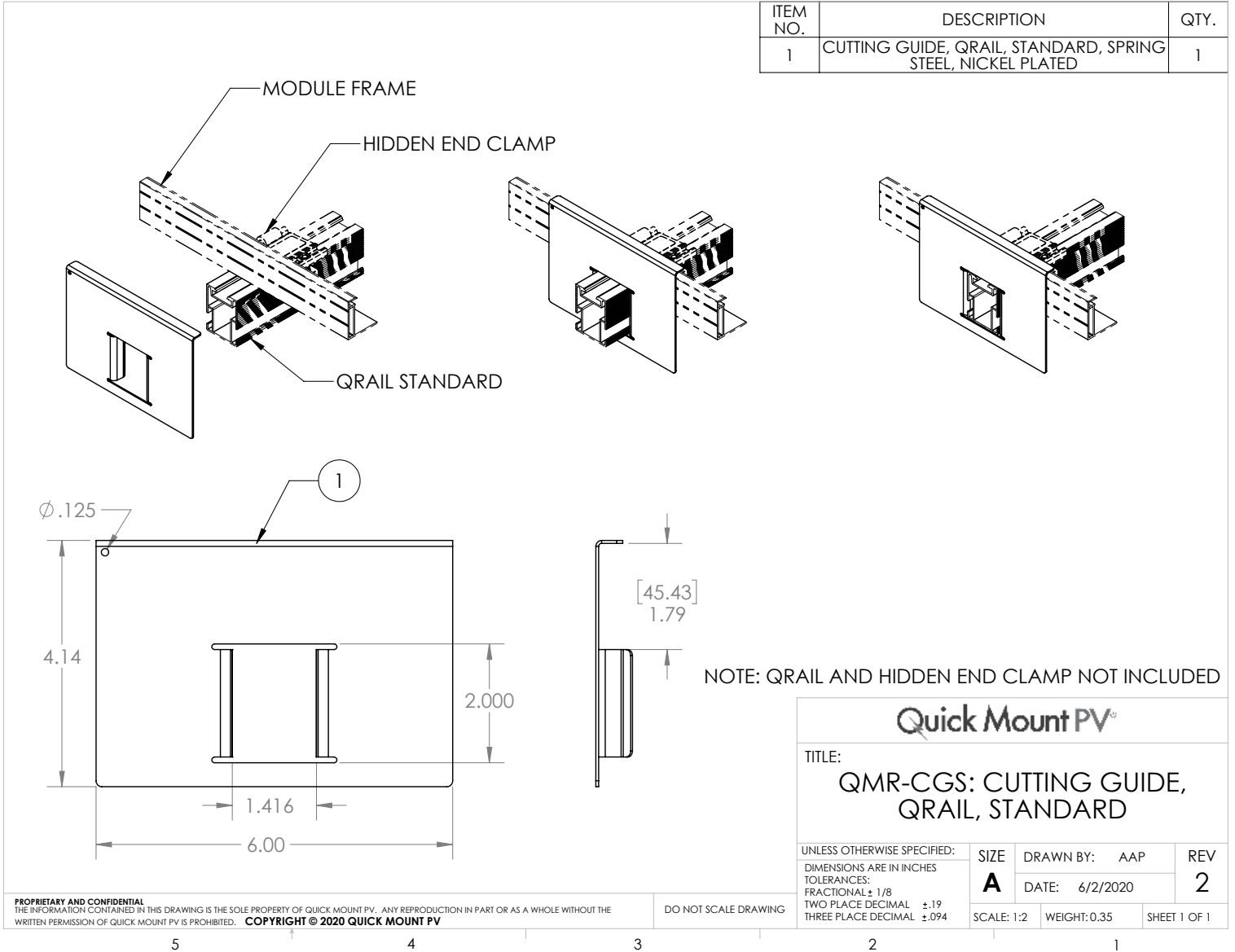
1



925-478-8269 | www.quickmountpv.com | tech@quickmountpv.com

2700 Mitchell Dr. | Walnut Creek, CA 94598

Rail Cutting Guide - QMR-GCL & QMR-GCS



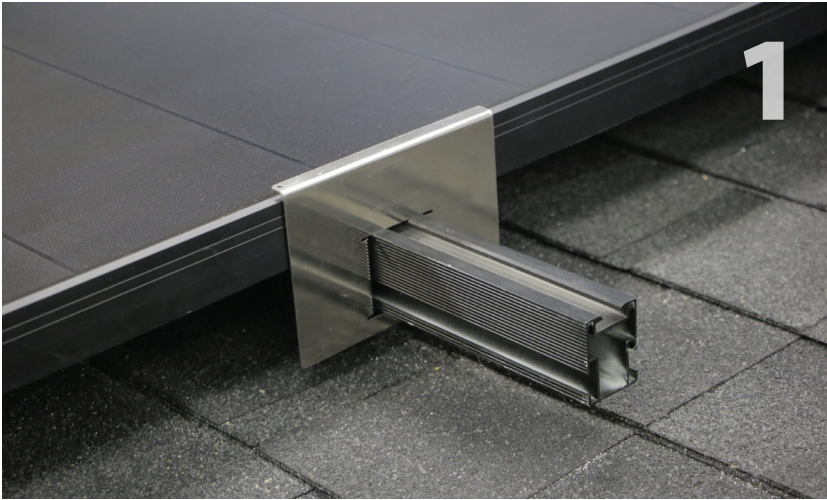
925-478-8269 | www.quickmountpv.com | tech@quickmountpv.com

2700 Mitchell Dr. | Walnut Creek, CA 94598

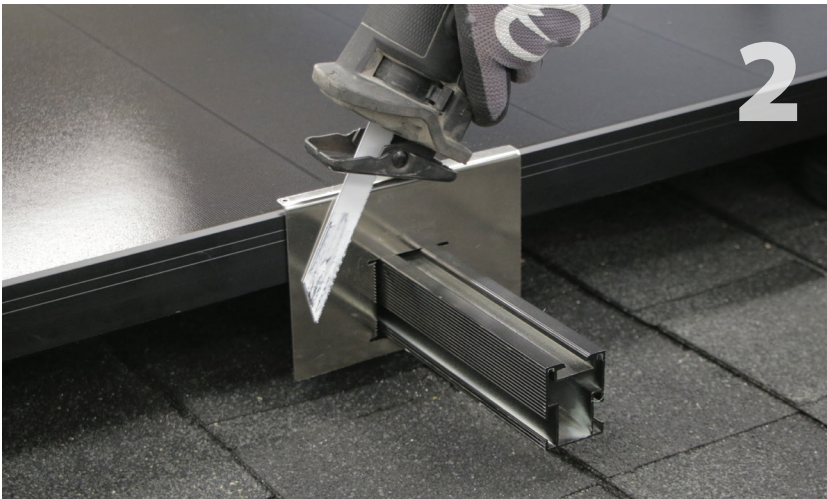
Cutting Guide Instructions

Installation Tools Required: Reciprocating saw, 8 inch blade, Protective eyewear.

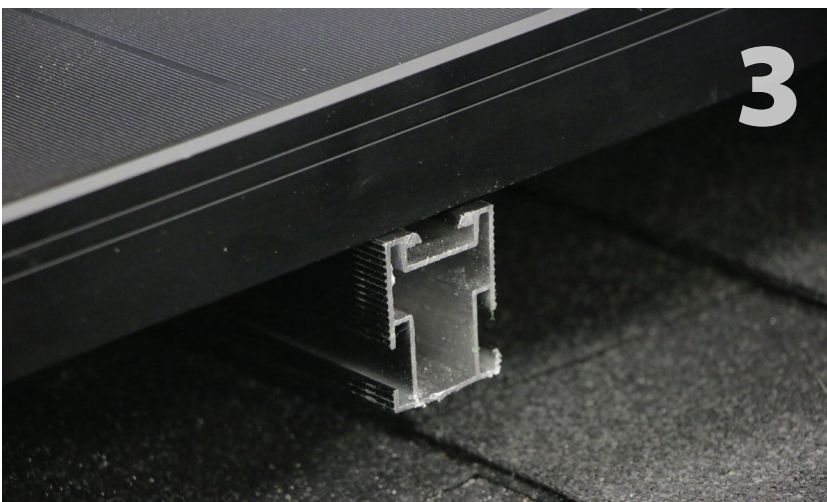
Note: Cutting Guides can accommodate a maximum 40mm module frame size.



Slide appropriately sized Standard or Light QRail Rail Cutting Guide onto the rail and push guide flush to the module edge. The bent lip on the Rail Cutting Guide should be positioned on top of the module frame.



Using a reciprocating saw with an 8" blade, cut the rail by placing the blade flush against the Rail Cutting Guide and then carefully cut from one side of the rail to the other. Take care to avoid damaging the roof surface with the saw blade. NOTE: If needed, adjust the position of the shoe to prevent the blade from making contact with the roof.



Remove the Rail Cutting Guide from the cut rail. Sweep or vacuume metallic dust and debris. Install QRail End Caps to the rail is desired.

