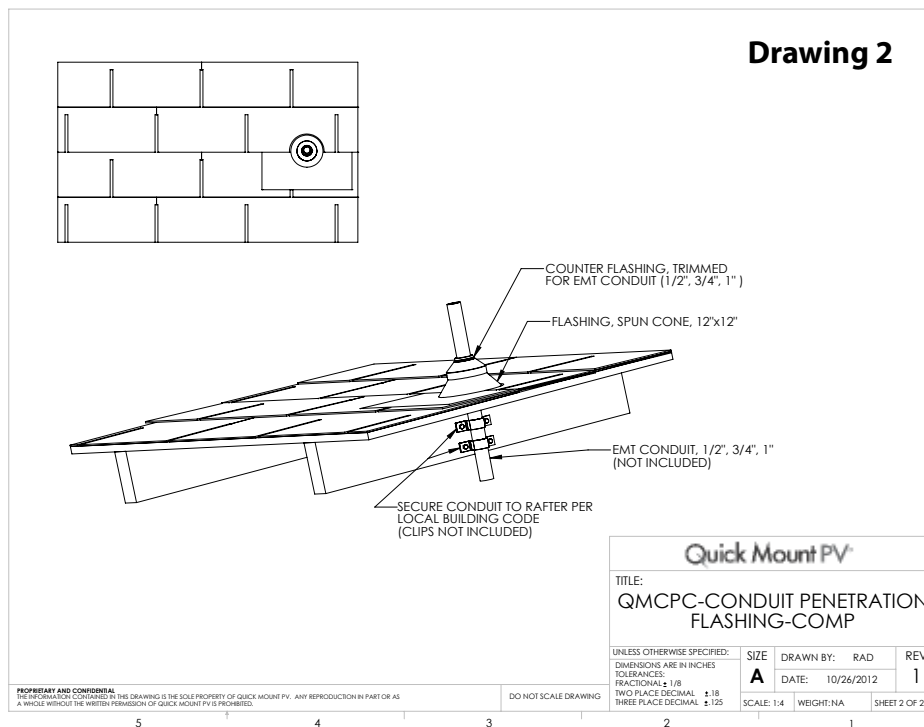
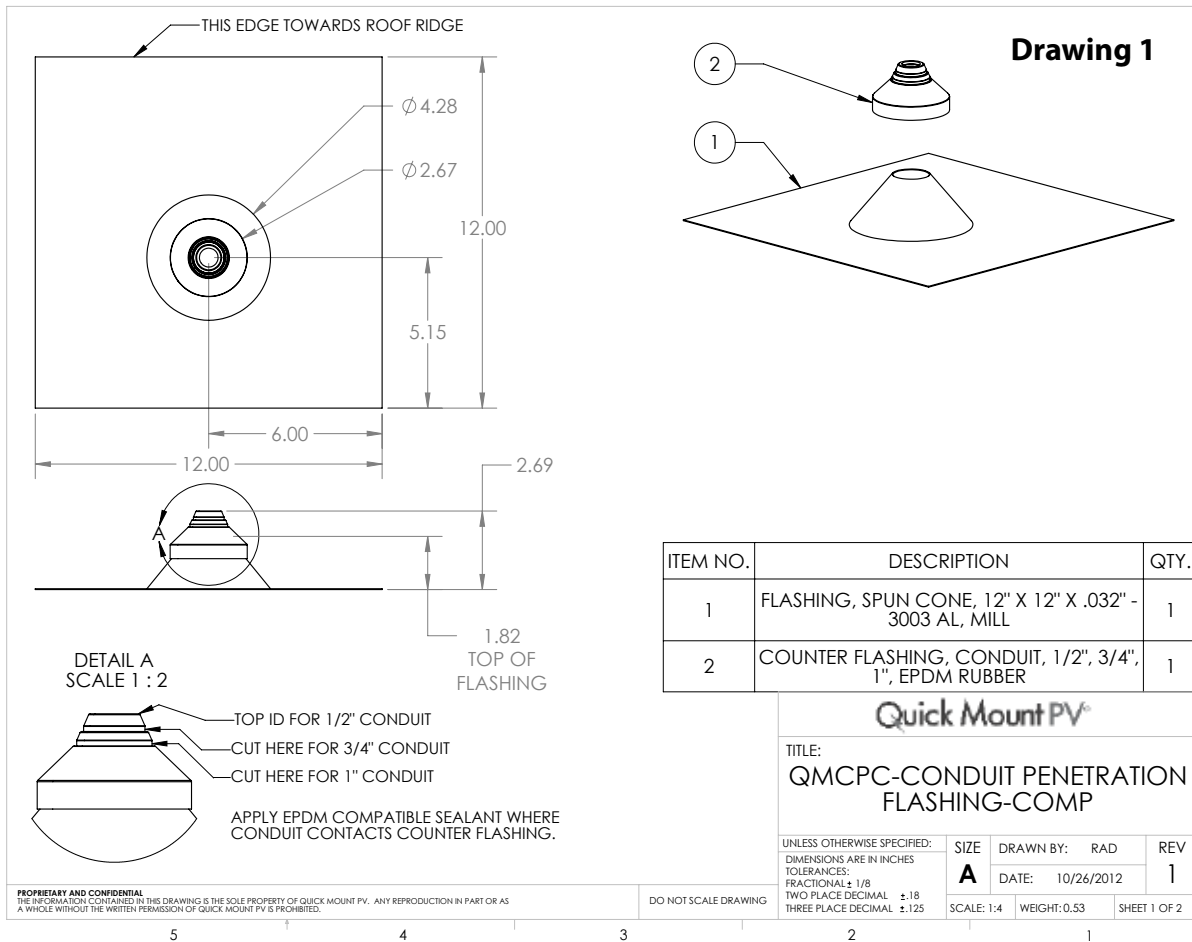


# Conduit Penetration Flashing | QMCPC



Full-sized drawing available at:  
[quickmountpv.com/pdfs/Conduit-Penetration-Flashing-Drawing.pdf](http://quickmountpv.com/pdfs/Conduit-Penetration-Flashing-Drawing.pdf)



# Conduit Penetration Flashing Instructions

**Installation Tools Required:** tape measure, caulking gun, roof material & EPDM compatible sealants, drill with paddle bit, hook blade, hammer, roofing nails

**WARNING:** Quick Mount PV products are NOT designed for and should NOT be used to anchor fall protection equipment.



Mark center of rafter. Using the flashing as a template, mark the drill point so the flashing reaches up into the 3rd shingle course. Drill your conduit hole next to the rafter so you can secure the conduit below the roof surface (see Drawing 2). For 1/2" conduit, drill 7/8" hole; for 3/4" conduit, drill 1" hole; for 1" conduit, drill 1-1/4" hole.



Slide flashing (item 1) into position centering the flashing hole with drilled hole. Remove any nails that prevent getting the flashing into position. Using a hook blade, cut shingle around cone to allow correct placement of flashing. Flashing should not hang over bottom (drip) edge of shingle below.



Apply sealant compatible with the roofing material on the underside of the flashing in an upside down U.



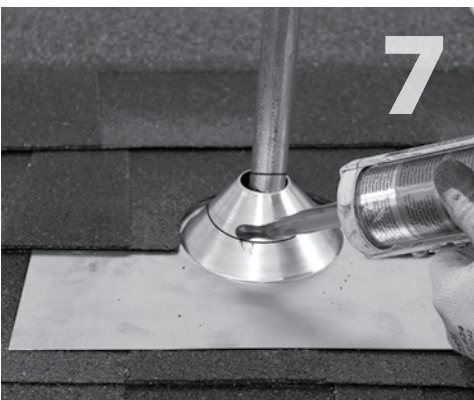
Slide flashing into place over drilled hole and apply a bead of sealant across the top side of the flashing under the 2nd shingle course. Be careful not to rip or tear shingles.



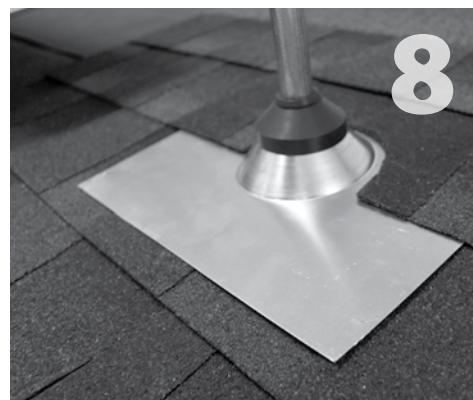
Under the 3rd course and through the 2nd course, secure flashing with 2 roofing nails at the top corners of the flashing at the nail line. Apply sealant over nail heads.



Cut EPDM collar (item 2) to appropriate conduit size (see Drawing 1, Detail A on reverse). Take care to cut a clean, level line.



Apply a bead of sealant compatible with both the roofing material and EPDM rubber to both the flashing and the conduit in the location of the EPDM collar's final position.\*



Slide collar over the conduit all the way down to the flashing.

Your conduit penetration flashing is now complete and ready for additional electrical work. Be sure to secure conduit to rafters below the roof surface per local building codes and NEC code requirements. Quick Mount PV conduit mounts are also available for roof surface conduit attachments. See website for details.

\*Helpful hint: to see where to apply the sealant, slide the collar into place and mark the perimeter with a marker on the flashing and on the conduit, then slide the collar up and apply sealant just inside both marks.

**Quick Mount PV**

925-478-8269 • [www.quickmountpv.com](http://www.quickmountpv.com) • [info@quickmountpv.com](mailto:info@quickmountpv.com)  
2700 Mitchell Dr., Bldg 2 • Walnut Creek, CA 94598