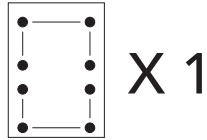


# Installation Instructions

## Wire Box for ProStar MPPT

Model: PS-MPPT-WB

### In the Box



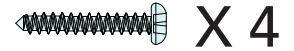
X 1

Mounting  
Template



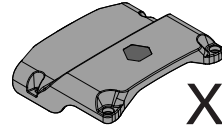
X 4

Cover Screws  
M4 12mm



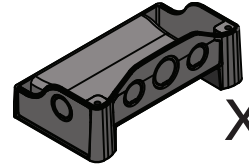
X 4

Mounting Screws  
#10 1-1/4"



X 1

Wire Box Cover



X 1

Wire Box

### Tools Required



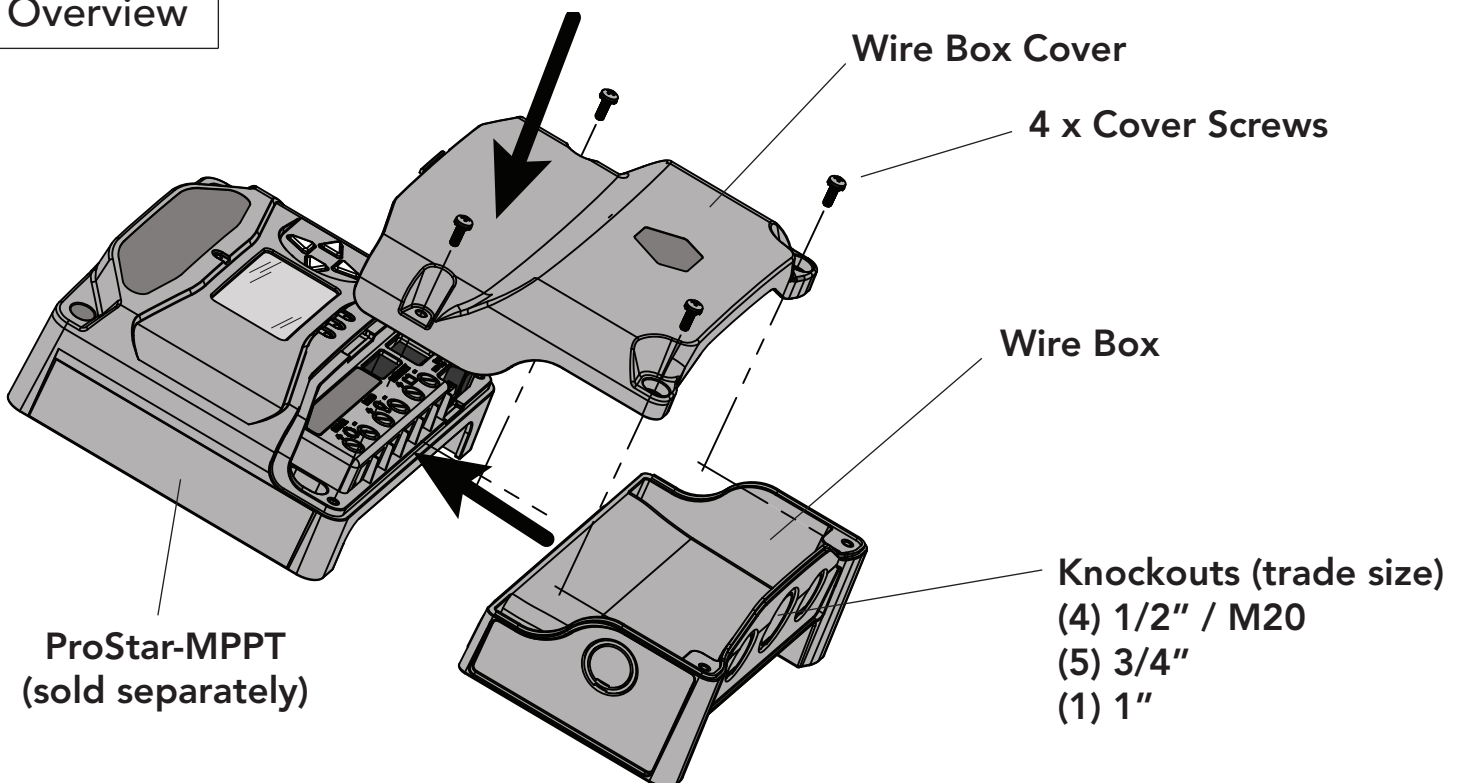
⊕ #2

⊖ 3/16" / 5mm

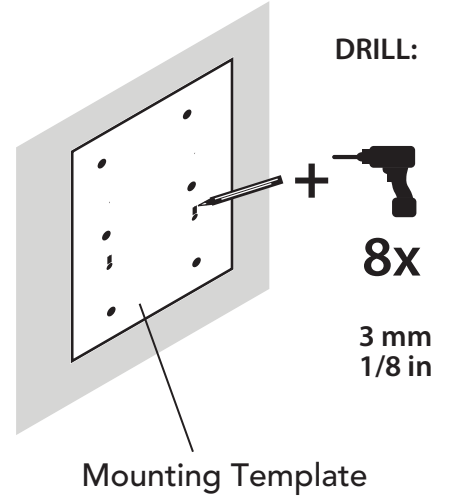
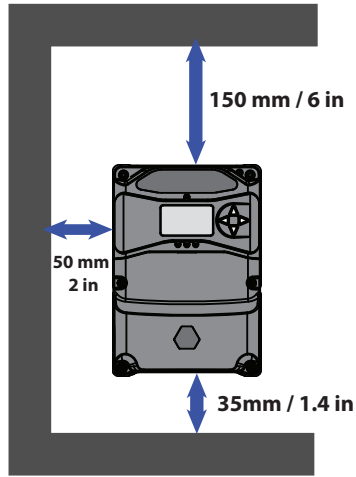
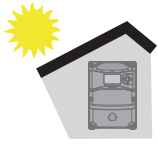


1/8 in / 3mm

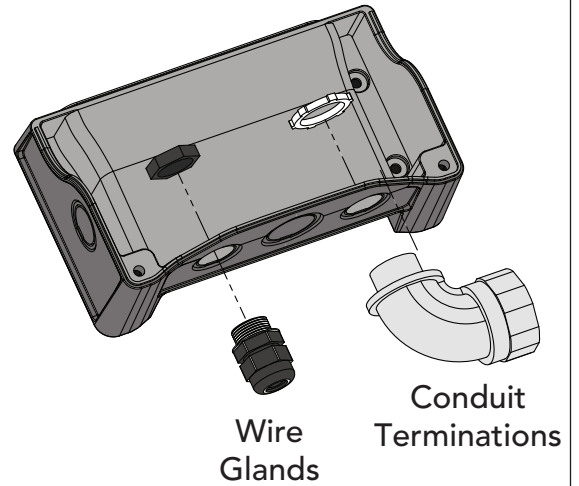
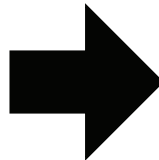
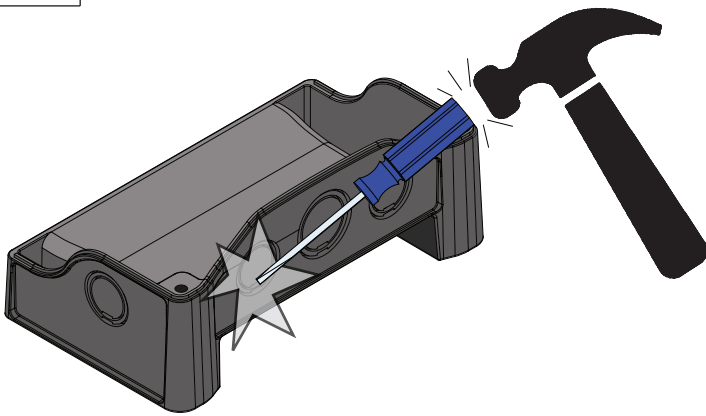
### Overview



**A**



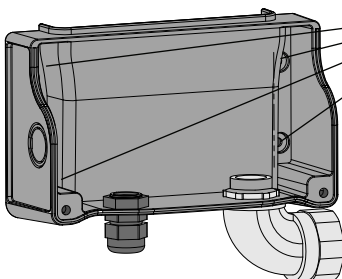
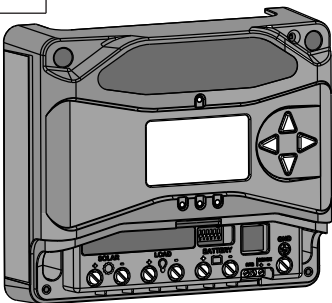
**B**



⊖ 3/16" / 5mm

**C**

⊕ #2



X 4

Mounting Screws  
#10 1-1/4"

**D**



ProStar MPPT  
Operator's Manual