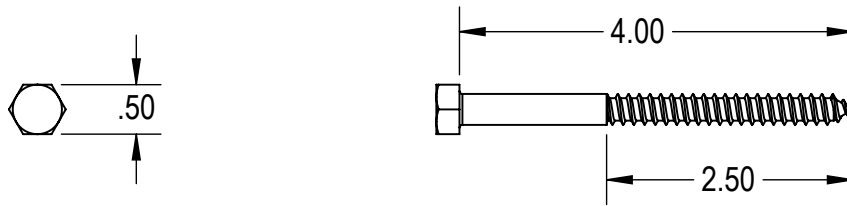


ITEM NO	DESCRIPTION	QTY IN KIT
1	LAG SCREW, 5/16" X 4"	1
2	WASHER, SEALING, EPDM BONDED SS	1
3	OPEN SLOTTED L-FOOT, MILL/BLACK	1
4	FLAHING, ROUNDED CORNERS, MILL/BLACK	1
5	STRUCTURAL SCREW, T-30 HEX WASHER HEAD, 5/16" X 4-1/2	1

PART NUMBER	DESCRIPTION
QM-LM-01-M1	L-MOUNT®, OPEN SLOT
QM-LM-01-B1	L-MOUNT®, OPEN SLOT, BLACK
QM-LMST-01-M1	L-MOUNT®, OPEN SLOT, STRUCTURAL SCREW
QM-LMST-01-B1	L-MOUNT®, OPEN SLOT, STRUCTURAL SCREW, BLACK

1) LAG SCREW



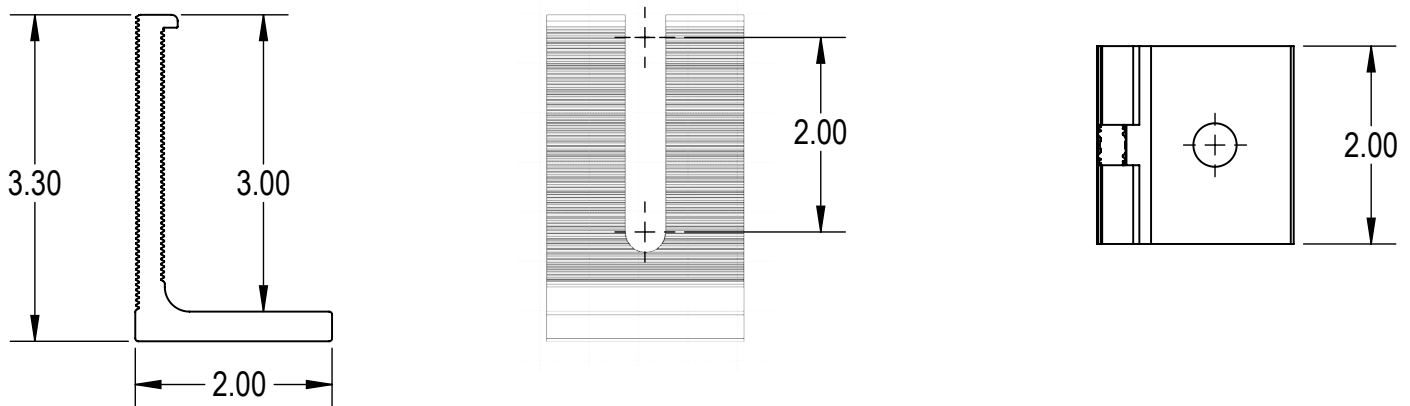
Property	Value
Material	300 Series Stainless Steel
Finish	Clear

2) WASHER, SEALING, EPDM BONDED SS



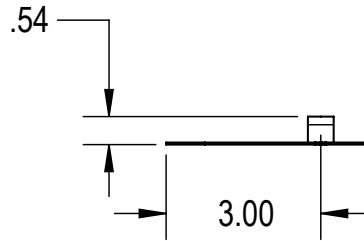
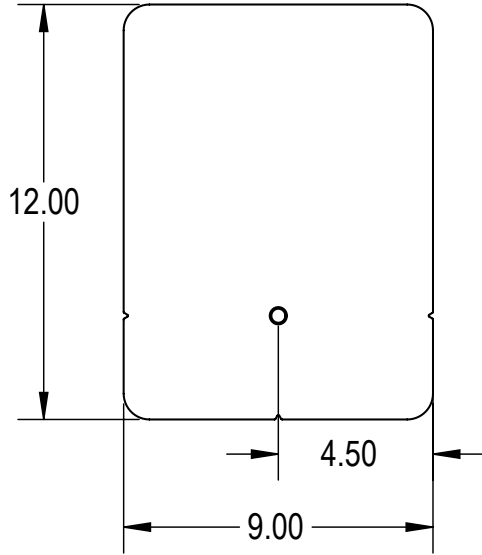
Property	Value
Material	300 Series Stainless Steel
Finish	Clear

3) OPEN SLOTTED L-FOOT, MILL/BLACK



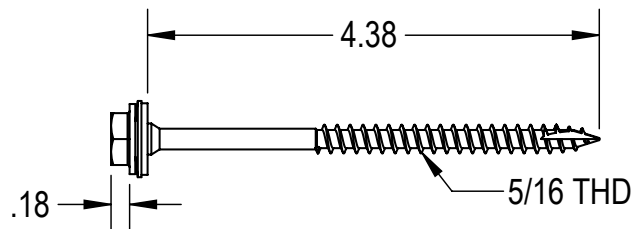
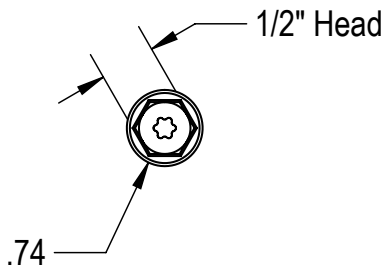
Property	Value
Material	6000 Series Aluminum
Finish	Mill

4) FLASHING, ROUNDED CORNERS, MILL/BLACK



Property	Value
Material	6000 Series Aluminum
Finish	Mill

5) STRUCTURAL SCREW



Property	Value
Material	300 Series Stainless Steel
Finish	Clear