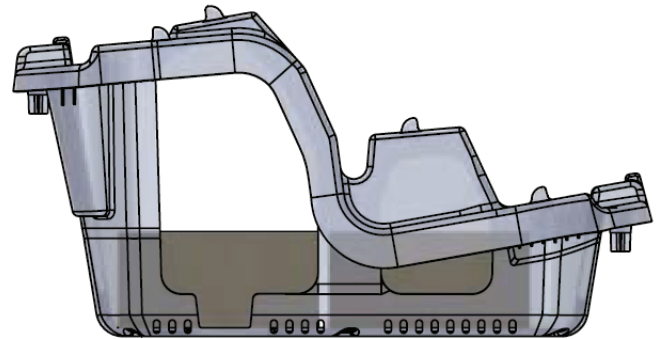
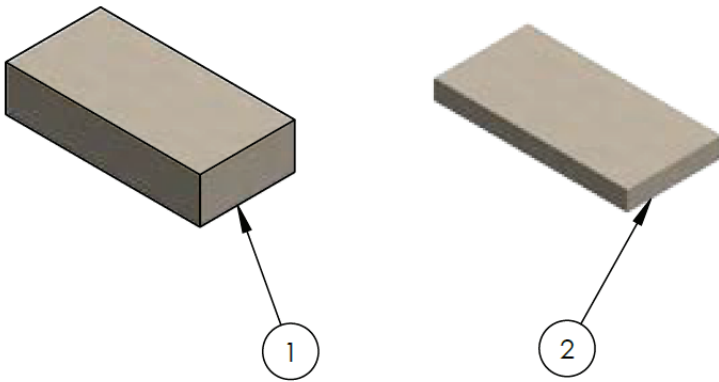
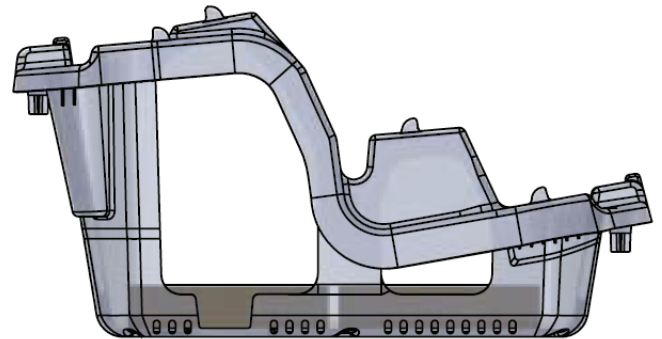


Blocks specified for BX projects must meet the following specifications:

- Manufactured per ASTM C 1491
- If required per local site conditions, manufactured to resist freeze-thaw per ASTM C1262
- Weight: 14-17 lbs +/- 2 lbs for Half Blocks and 28-34 lbs +/- 2 lbs for Full Blocks
- Compressive Strength Requirement: 3000 PSI

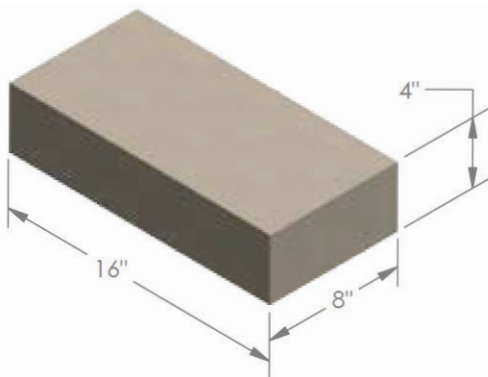


Full Block



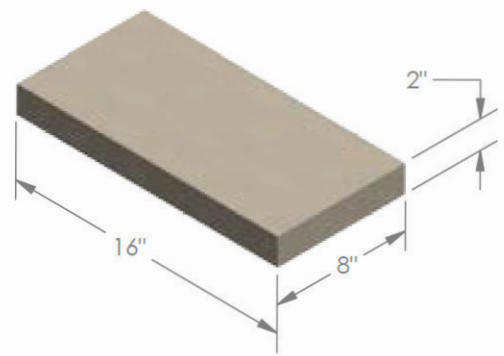
Half Block

ITEM NO	DESCRIPTION
1	Full Block - 8"x16"x4" Nominal
2	Half Block - 8"x16"x2" Nominal



Full Block

All Dimensions Nominal



Half Block



TECH SUPPORT
800-227-9523