

Deka®

SOLAR

PHOTOVOLTAIC BATTERIES

8G8VGC-DEKA

- Designed to provide reliable, long lasting back-up power for Photovoltaic (PV) and renewable energy applications where frequent deep cycles are required and minimum maintenance is desirable
- Reinforced case resists bulging and meets safety requirements
- Genuine Gel Technology
- Case & cover heat sealed and 100% tested to prevent leaks
- Computer-aided design and manufacturing control processes and standards to ensure quality products
- Applications: Water Pumping, Residential / Small Village, Cathodic Protection, Remote Monitoring, Lighting, Wind Generation, & Railway Signal.



SPECIFICATIONS

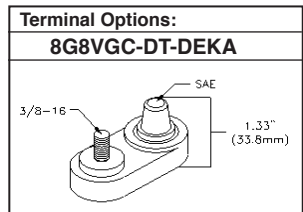
- Nominal Voltage:** 8-Volt
Rating: 140 Ampere-Hours @ 20 hr rate to 1.75 VPC
- Positive Plate:** Pure Lead, Calcium Alloy
Negative Plate: Pure Lead, Calcium Alloy
Container: Polypropylene
Safety Vent: Low positive pressure, self-sealing

PHOTOVOLTAIC CHARGING PARAMETERS

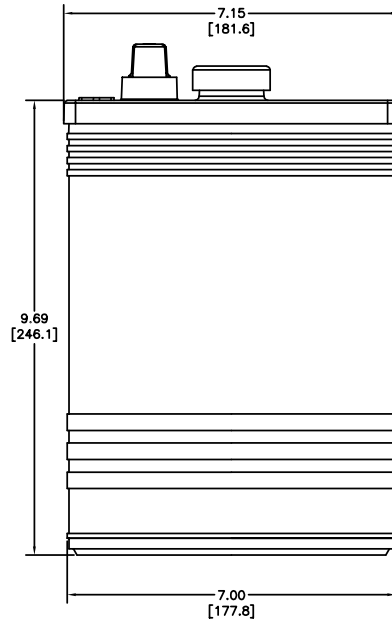
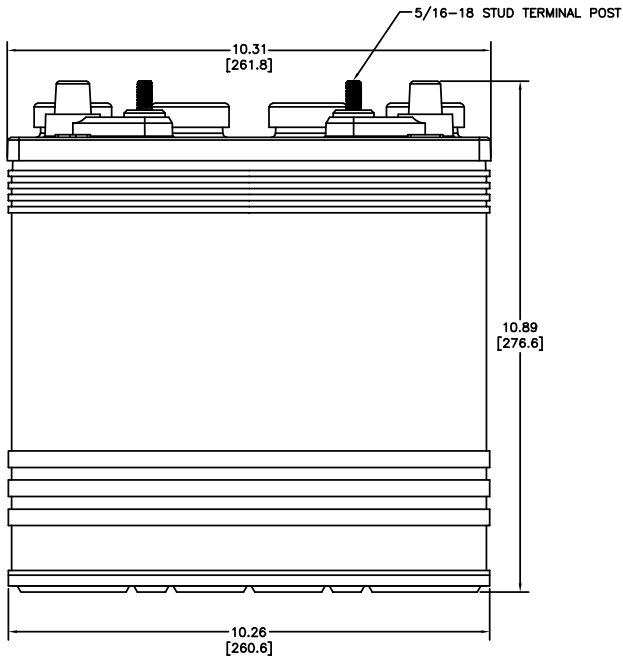
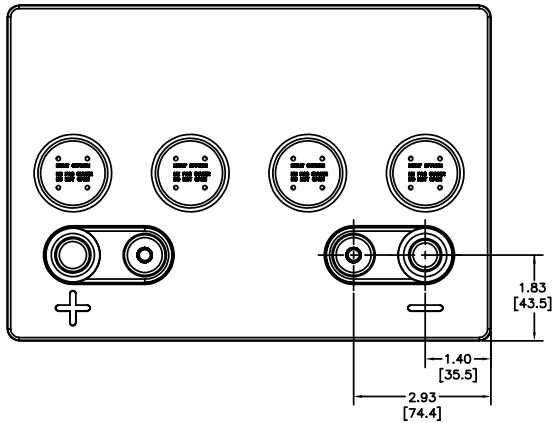
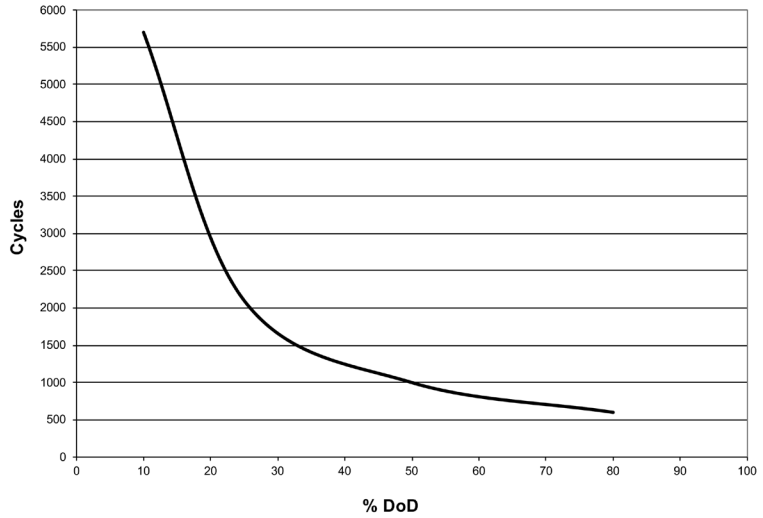
Charge Type	Max. Current (AMPS)	Voltage Range
Bulk Charge	30% of 20HR Rate	
Absorption (Regulation) Charge	Constant Voltage	2.35 – 2.40 V.P.C.
Float Charge	Constant Voltage	2.24 – 2.26 V.P.C.
Equalize Charge	Constant Voltage	2.40 – 2.43 V.P.C.
Temperature Coefficient	0.003 V / °C	

BATTERY PART NUMBER	PERFORMANCE (AH) ¹ TO 1.75 VPC		SHORT CIRCUIT CURRENT	TERMINAL TORQUE MAX. IN/LB (NM)	APPROXIMATE WEIGHT		BATTERY DIMENSIONS					
	20 HR	100 HR			LB	KG	LENGTH		WIDTH		HEIGHT ²	
							IN	MM	IN	MM	IN	MM
12-VOLT SOLAR VRLA (Gel) MONOBLOC												
8G8VGC-DT-DEKA	140	160	4313	50 (5.7)	70	32	10.31	262	7.15	182	10.89	277

1 – Ratings after 15 Cycles
 2 – Height to top of terminal



GEL CYCLE LIFE VS. DEPTH OF DISCHARGE AT 25°C (77°F) BASED ON BCI-2HOUR CAPACITY



PROPOSITION 65 WARNING: Battery posts, terminals and related accessories contain lead and lead compounds, chemicals known to the State of California to cause cancer and reproductive harm. Batteries also contain other chemicals known to the State of California to cause cancer. **WASH HANDS AFTER HANDLING.**



QUALITY SYSTEM
 CERTIFIED
ISO 9001
IATF 16949
 ENVIRONMENTAL
 SYSTEM CERTIFIED
ISO 14001

